

16394 U.S. 224 - P.O. Box 299 • Kalida, Ohio 45853  
419/532-3647 • 800/537-7370  
[www.remlingermfg.com](http://www.remlingermfg.com)

**P F M**

## **Series 570 & 571 Tine Rock Bucket**

Skid Steer Design



### **FEATURES:**

- Fits all skid loaders for rock picking, landscaping & manure removal
- Hardened steel tines are easily replaced
- Tines are held in place with one bolt
- 2-1/2" spacing between 1-1/2" dia. tines
- Stone dam is removable
- Segmented stone dam holds rocks in the back of the bucket while allowing fines to escape
- Bolted segmented stone dam can be removed for scooping manure
- Rock shield protects operator

# Series 900 Telescoping “Claw”

Skid Steer Design

ECONOMICAL TO OWN  
EASY TO OPERATE

The telescoping “CLAW” consists of four opposing, adjustable tines for picking up damaged building materials, brush, tree limbs and rubble for loading into trucks and waste containers.

The boom hydraulically telescopes from 6’ to 7.5’. The jaws open to a maximum of 6’ between the tine tips and close down to tightly hold objects as small as 12” in diameter.

Controls for the claw include a circuit selector valve and wiring harness. This allows one pair of skid loader auxiliary outlets to control the telescoping and claw hydraulics.

The heavy duty opposing adjustable tines are made of high strength steel for wear and abrasion.

Retracted lift capacity is 46% of skid loaders rated operating capacity and extended lift capacity of 34%.



Series 900 Specifications	
Model	900-20
Weight	650 lbs
Claw Opening	Range 1’ to 6’
Boom	Range 6’ to 7’-6”
Cylinders	Two 2” x 16” stroke
Required Hydraulics	Fits most skid loaders with bi-directional auxiliary hydraulics

# Series 580 Root Grapple Bucket

FOR CLEANING BRUSH, ROOTS, RUBBLE AND CONCRETE FROM  
CONSTRUCTION AND LAND CLEARING PROJECTS.

## FEATURES:

- SAE standard attachment for skid loaders
- High strength steel tines with 9" spacing
- 1/2" end tines with 3/8" center tines
- Two independent grapples with 3/4" tines



Series 580 Specifications			
Model	580-66	581-75	582-85
Width	66"	75"	85"
Weight	678 lbs.	757 lbs.	836 lbs.



## Series 400 Disc Ditcher

This rugged PFM Disc Ditcher will cut a single ditch in most heavy clay or rocky soil conditions. It is the most durable ditcher on the market and is built to stand up to extra abuse.

Designed to cut down irrigation levees or to cut a uniform ditch up to 20 inches wide by 12 inches deep promoting water control and increasing yields for all types of crops.

### FEATURES:

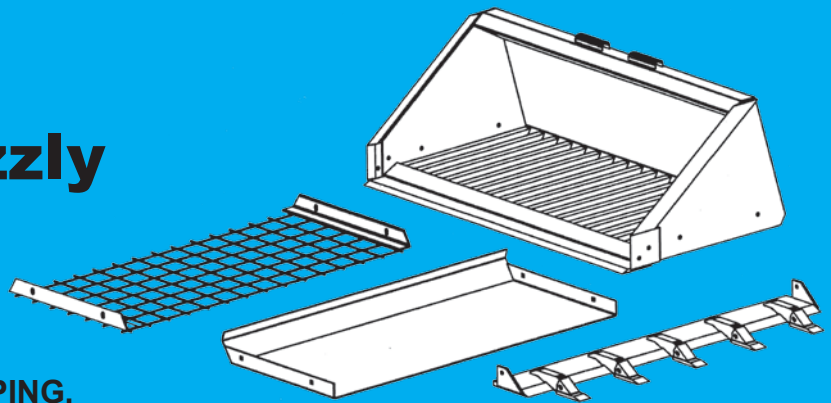
- Hitch: Category II & III standard or quick hitch system
- Blade: 1/4" thick x 24" diameter with adjustable pitch and width
- Hub: 6 bolt 6" bolt circle rated for 4570 lbs.



## Series 560 & 561 Convertible Grizzly Buckets

Skid Steer Design

**FOR CONSTRUCTION, LANDSCAPING,  
AGRICULTURAL AND GENERAL UTILITY USE.**



### FEATURES:

- Bucket sides of rugged steel plate construction
- High carbon steel grizzly bar bottom
- 2" openings between square grizzly bars
- High carbon cutting blade with reinforced bucket edges
- Optional steel woven screen cloth for smaller than 2" openings
- Optional steel bottom plate bolts on to convert to a standard bucket
- Optional bolt-on teeth for digging
- Optional tooth cutting bar with replaceable digging teeth