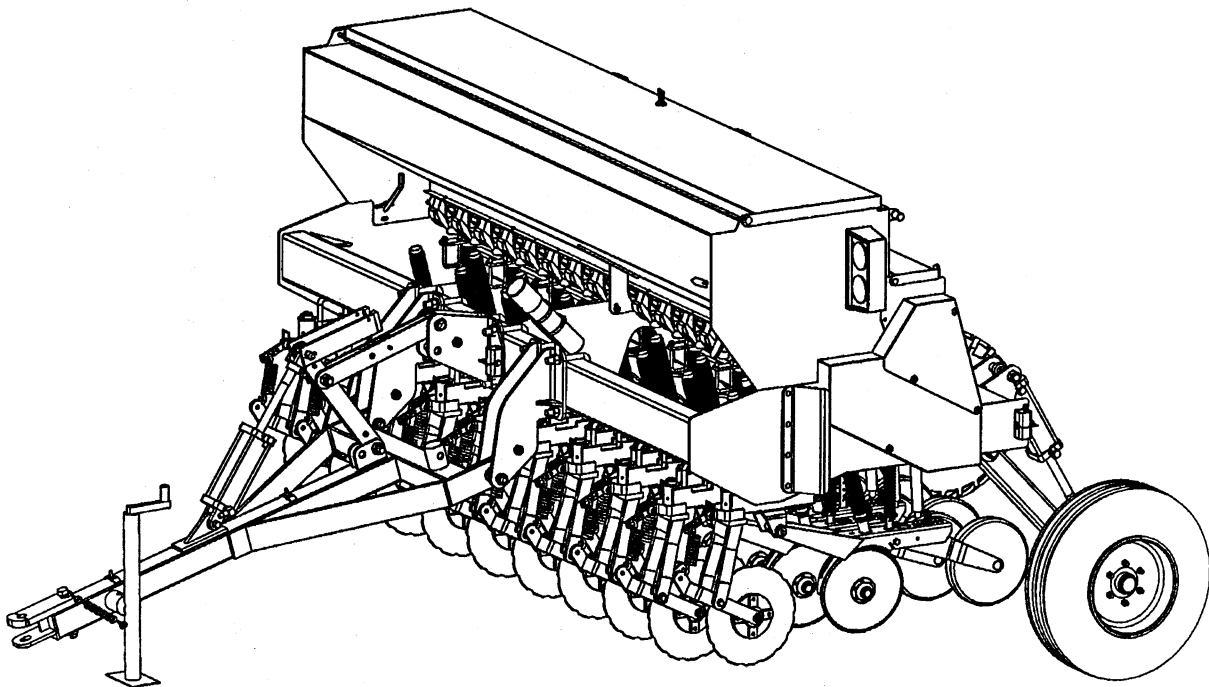




# MODEL 2300 DRILL 7', 10' & 15'



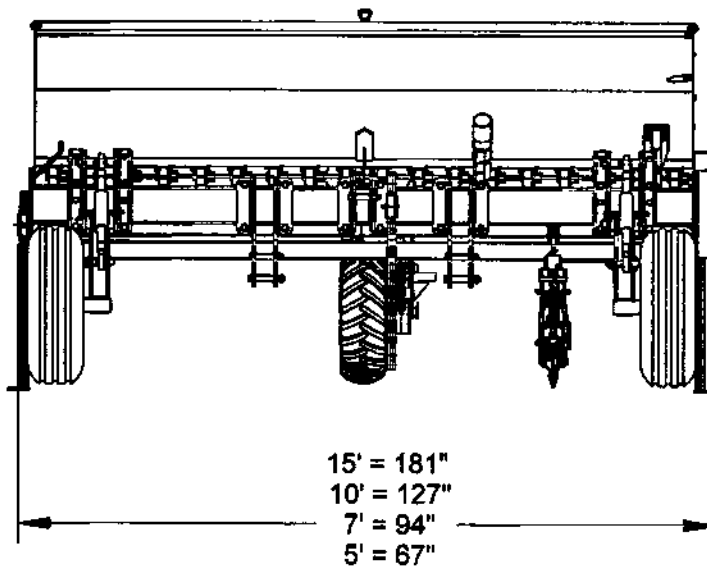
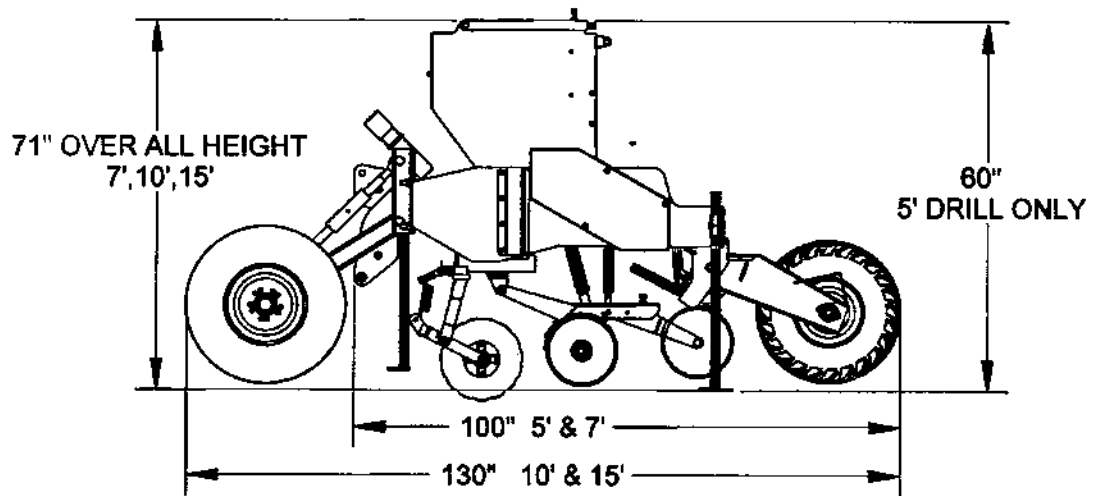
## Operation and Parts Manual

Remlinger Manufacturing Company, Inc.  
16394 U. S. 224 • P.O. Box 299 • Kalida, Ohio 45853  
Toll Free: 800.537.7370

[www.remlingermfg.com](http://www.remlingermfg.com)

# SPECIFICATIONS

## 3-POINT HITCH

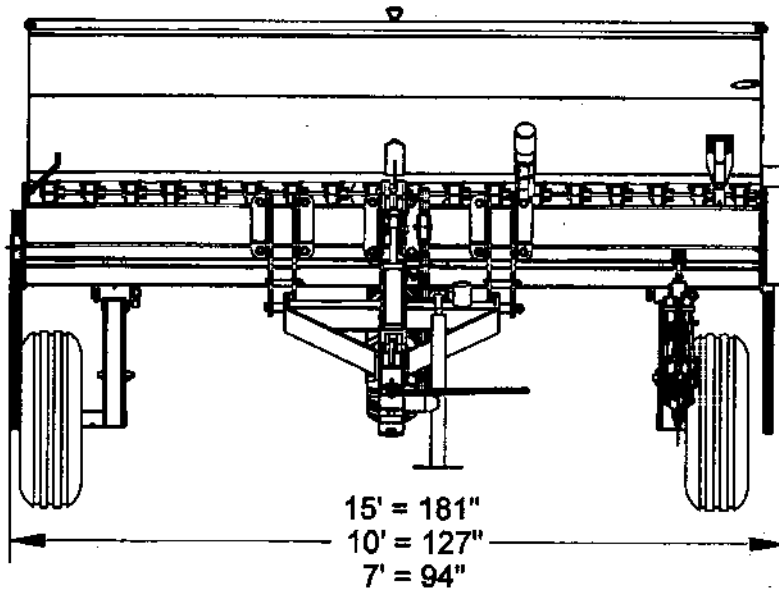
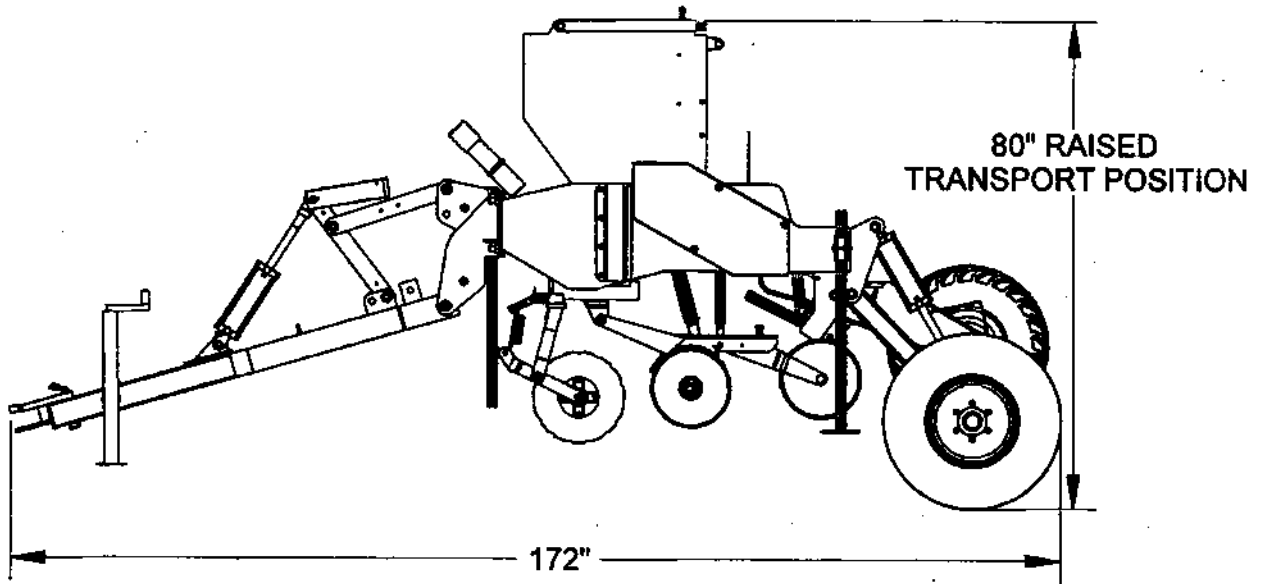


SWRW0009  
11/12/03 JB

NOTE: 5' & 7' HAS NO  
GAUGE WHEELS

# SPECIFICATIONS

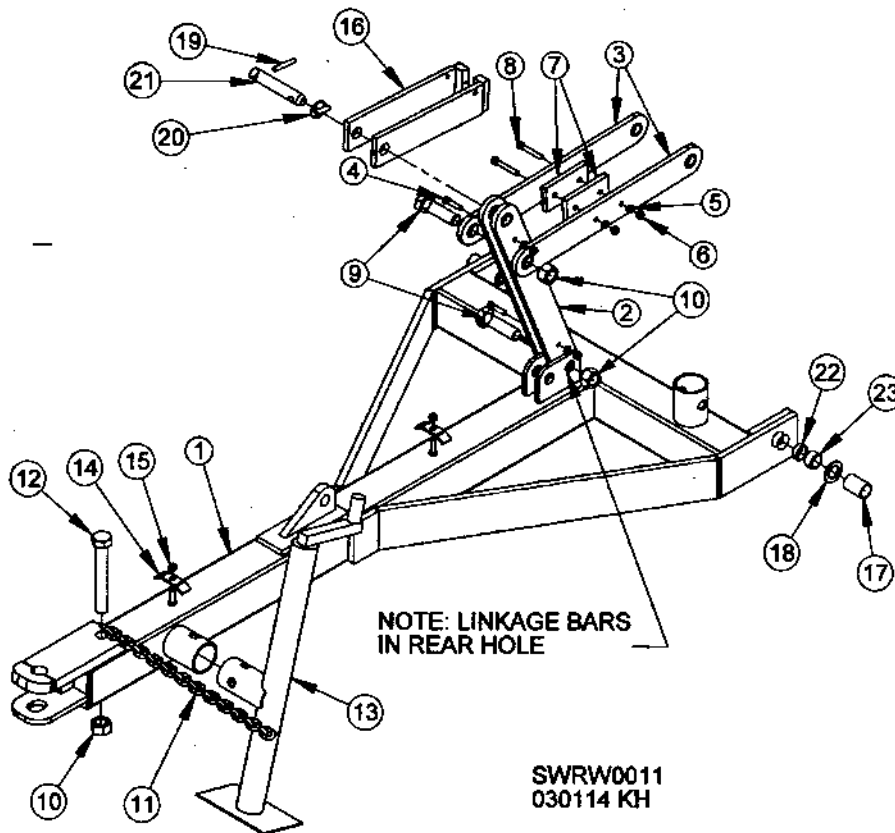
## PULL TYPE DRILL



SWRW0010  
040116 JB

# 2300 DRILL PARTS ASSEMBLIES

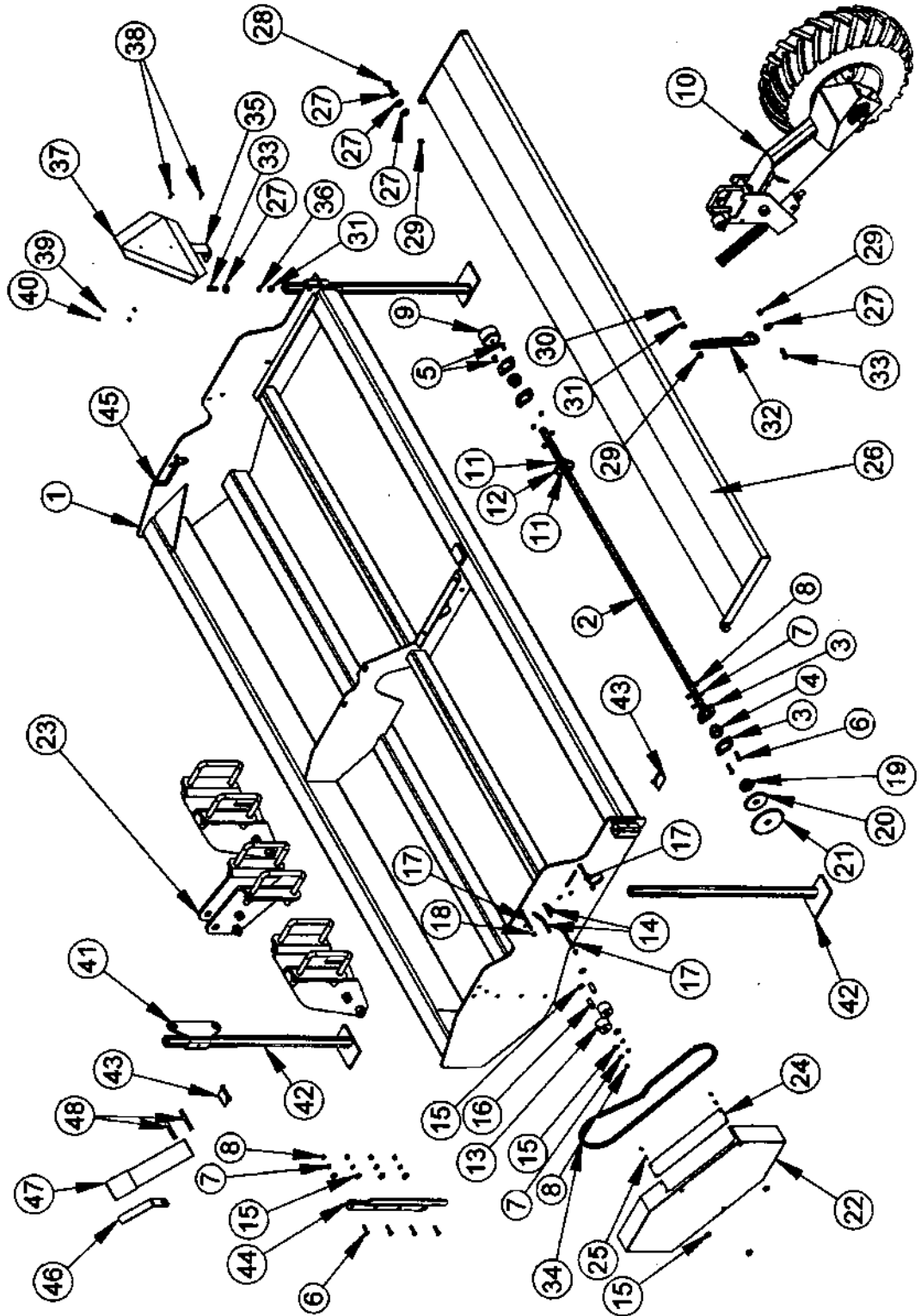
## PULL TYPE HITCH ASSEMBLY



REF. #	DESCRIPTION	QTY	COMP. #
1	Hitch Weldment	1	RR1483
2	Front Linkage Bar	2	RR1478
3	Rear Linkage Bar	2	RR1479
4	Screw, 3/8-16, 1.50, Gr. 5 HHCS	2	J0627
5	Washer, Lock, 3/8" PLT	4	J1205
6	Nut, Hex, 3/8-16, PLT	4	J1020
7	Linkage Spacer	2	RR1484
8	Screw, Hex, 3/8-16, 2.5", PLT	2	J0655
9	Screw, 1-8 x 3.5 HHCS, Gr. 5	2	J0910
10	Nut, Top Lock, 1-8	3	J1061
11	Safety Chain	1	J1799
12	Screw, 1-8 x 7 HHCS Gr. 5	1	J09171
13	Jack Assembly W/ Brackets	1	J8205
14	Clamp, Hydraulic Hose (2)	2	R121848
15	Nut, Hex, 3/8-16, PLT, Lock	2	J1025
16	Cylinder Stop	1	S16840
17	Bushing, 2" Cat III	2	M 3317
18	Machine Washer 1-1/8", 14 Ga. Reg.	2	J1270
19	Roll Pin, 3/8" x 2-1/2"	1	J1513
20	Lynch Pin, 7/16"	1	J15481
21	Upper 3 Pt. Pin, Cat II	1	S18456
22	Bushing, 1-3/8 x 1-1/8 x 1/2	2	J00849
23	Bushing, 1-3/8 x 1-1/8 x 3/4	2	J00843

# FRAME ASSEMBLY

## 7' & 10' & 15'

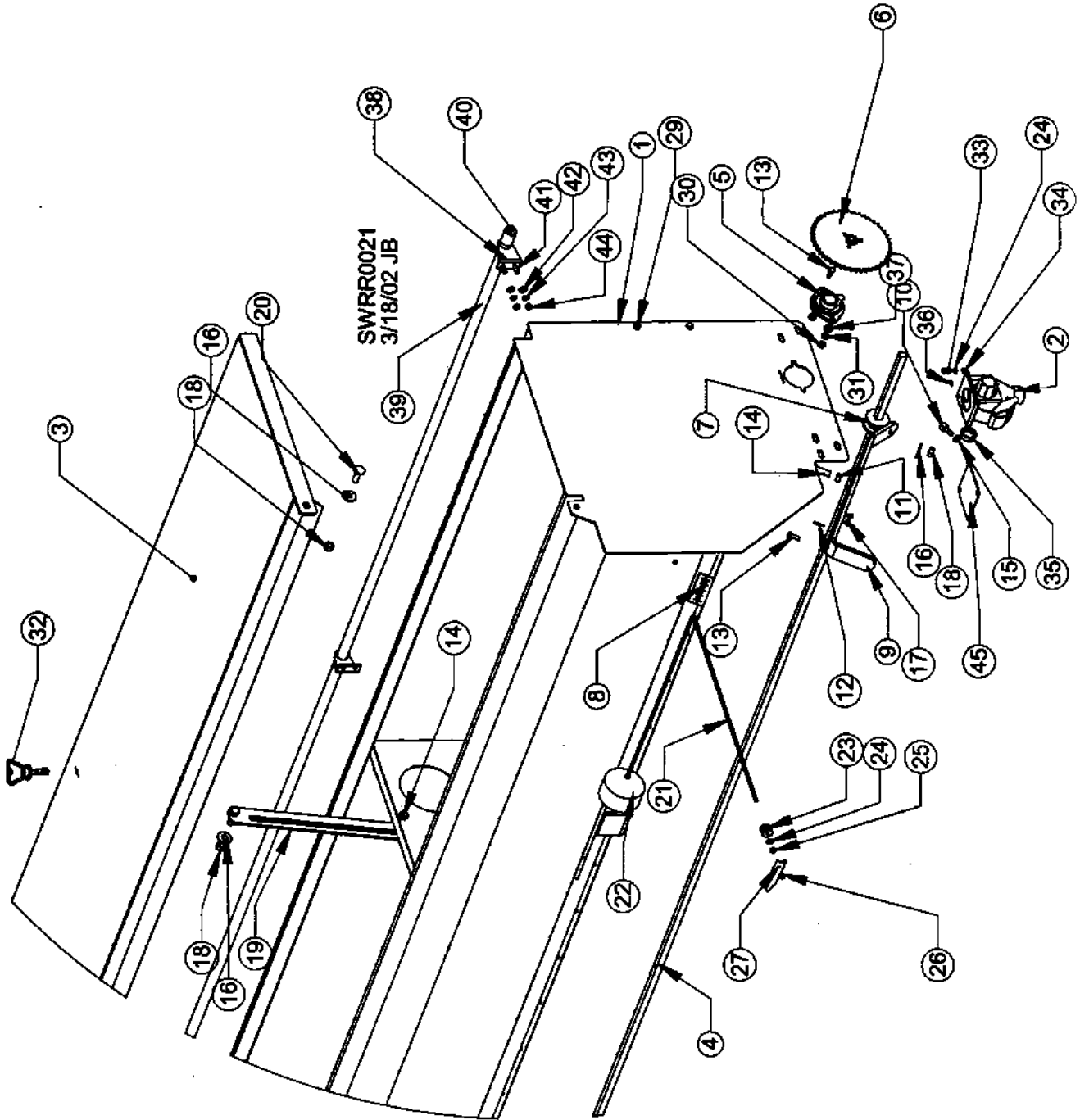


# FRAME ASSEMBLY

## 7', 10' & 15'

REF. #	DESCRIPTION	7FT		10FT		15FT	
		QTY	COMP. #	QTY	COMP. #	QTY	COMP.#
1	Frame Weldment	1	RR1551	1	RR1360	1	RR1540
2	Hex Jackshaft	1	RR1274	1	RR1273	1	RR1547
3	Flangette	4	J00985	4	J00985	6	J00985
4	Brg, 1", Center WL CLR	2	J0005	2	J0005	3	J0005
5	Bolt, 3/8" x 1" Carriage	2	J06064	2	J06064	2	J06064
6	Bolt, 3/8" x 1-1/2", Carriage	6	J0632	6	J0632	6	J0632
7	Washer, Lock, 3/8", PLT	10	J1205	10	J1205	10	J1205
8	Nut, Hex, 3/8-16, PLT	13	J1020	13	J1020	13	J1020
9	Meter, Acre	1	J81135	1	J81135	1	J8116
10	Drive Wheel, Assembly	1	RR1480	1	RR1480	1	RR1480
11	Shaft Collar, 1"	2	J1335	2	J1335	2	J1335
12	Sprocket, 19t, .895 Hex Bore	1	RR1490	1	RR1490	1	RR1490
13	Plastic Roller	2	R6732	2	R6732	2	R6732
14	Bolt, 3/8" x 3" Carriage	2	J06601	2	J06601	2	J06601
15	Washer, Flat, 3/8, PLT	11	J1117	11	J1117	11	J1117
16	Inner Bushing	2	R6733	2	R6733	2	R6733
17	Bolt, 3/8" x 4-1/2" Carriage, Full Thread	3	J0683	3	J0683	3	J0683
18	Nut, Hex, 3/8-16, PLT, Lock	3	J1025	3	J1025	3	J1025
19	Sprocket, 40B13, Hex Bore	1	R6590	1	R6590	1	R6590
20	Sprocket, 40B23, .895 Hex	1	RR1491	1	RR1491	1	RR1491
21	Sprocket, 40B33, .895" Hex	1	RR1493	1	RR1493	1	RR1493
22	Drill Chain Shield	1	RR1327	1	RR1327	1	RR1327
23	3-Point Assembly	1	RR1252	1	RR1252	1	RR1252
24	2055 Shield Cover	1	RR1330	1	RR1330	1	RR1330
25	Rivet, Pop 3/16 3/8", #66	4	J1599	4	J1599	4	J1599
26	Walkboard Weldment	1	RR1544	1	RR1205	2	RR1544
27	Washer, Flat, 1/2"	8	J1125	8	J1125	14	J1125
28	Bolt, 1/2-13, 1.5, PLT, Gr. 5, Carriage	2	J0739	2	J0739	4	J0739
29	Lock Nut, 1/2 - 13	4	J1042	4	J1042	6	J1042
30	Screw, 1/2 - 13 x 1.75 Gr. 5 HHCS	1	J0733	1	J0733	2	J0733
31	Nut, Hex, 1/2-13, PLT	2	J1040	2	J1040	4	J1040
32	Bracket Slide	1	RR1137	1	RR1137	2	RR1137
33	Screw, 1/2-13, 1.25, PLT	2	J0728	2	J0728	4	J0728
34	Chain, #40, 117 Links	1	RR1336	1	RR1336	1	RR1336
35	SMV Bracket	1	W2247	1	W2247	1	W2247
36	Washer, Lock, 1/2, PLT	1	J1215	1	J1215	1	J1215
37	SMV Sign	1	J2250	1	J2250	1	J2250
38	Bolt, 1/4-20 x 3/4	2	J0505	2	J0505	2	J0505
39	Washer, Lock, 1/4, PLT	2	J1195	2	J1195	2	J1195
40	Nut, Hex, 1/4-20	2	J0990	2	J0990	2	J0990
41	Shipping Stand Mounting Bracket	1	R1331	1	R1331	1	R1331
42	Parking Stand, Weldment, 2050	3	R6604	3	R6604	3	R6604
43	Pin, Snapper	3	J5431	3	J5431	3	J5431
44	Shield Guard	1	RR1454	1	RR1454	1	RR1454
45	Sprocket Holder	1	RR1338	1	RR1338	1	RR1338
46	Tube Holder Bracket	1	RR1333	1	RR1333	1	RR1333
47	Holder, Manual, 2055	1	J73620	1	J73620	1	J73620
48	Clamp, Hose, 1-5/8 - 3-1/2"	2	J23211	2	J23211	2	J23211

# LARGE HOPPER ASSEMBLY 7', 10' & 15'



# LARGE HOPPER ASSEMBLY

## 7', 10', & 15'

7'

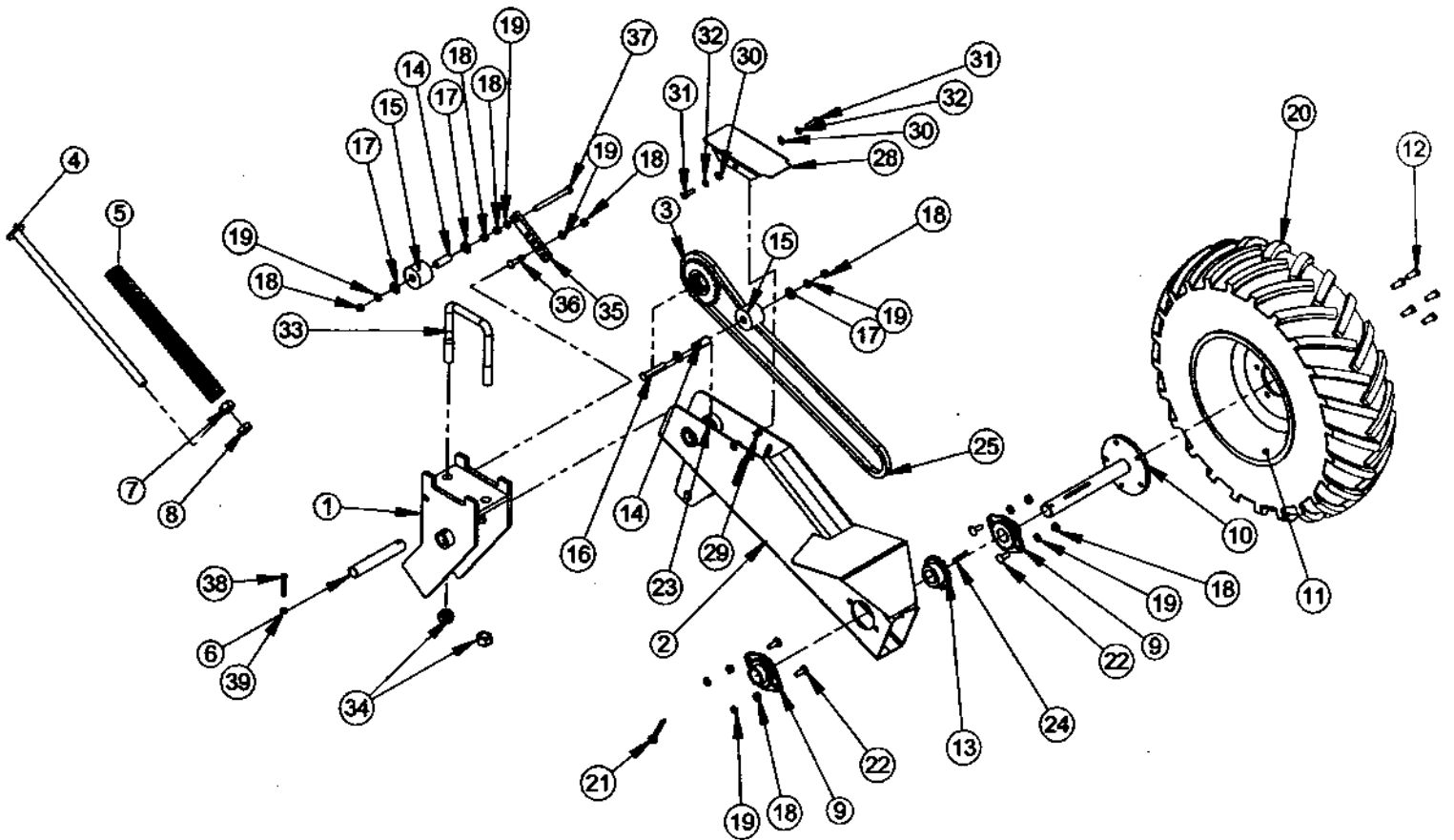
10'

15'

REF. #	DESCRIPTION	QTY	COMP. #	QTY	COMP. #	QTY	COMP. #
1	Hopper Weldment	1	RR11541	1	RR1568	1	RR1541
2	Meter Housing, Assembly	12	J8120	18	J8120	24	J8120
3	Hopper Lid Weldment	1	RR1542	1	RR1203	2	RR1542
4	Shaft, Meter	1	RR1545	1	RR1207	2	RR1545
5	Bearing, Flange, 1-1/4" W/Flangette	1	J00901	1	J00901	1	J00901
6	Sprocket Drive Weldment	1	R6731	1	R6731	1	R6731
7	Spool, Meter, Adjustment	1	RR1101	1	RR1101	1	RR1101
8	Plate, Gauge, Lever Adjustment 3 to 1	1	L0845	1	L0845	1	L0845
9	Arm, Adjusting	1	RR1104	1	RR1104	1	RR1104
10	Bearing, Cam Follower, .75 CF 3/4S	1	J0035	1	J0035	1	J0035
11	Spacer, Medium Swivel	1	RR1105	1	RR1105	1	RR1105
12	Roll Pin, 5/32, 1 PLT	1	J1480	1	J1480	1	J1480
13	Bolt, 3/8" x 1" Carriage	3	J06064	3	J06064	3	J06064
14	Screw, 1/2-13, 1.5, Gr. 5, HHCS	3	J0730	3	J0730	5	J0730
15	Nut, Hex, 3/8-24, PLT, Fine Threaded	1	J1030	1	J1030	1	J1030
16	Washer, Flat, 1/2"	5	J1125	5	J1125	7	J1125
17	Nut, Wing, 3/8-16, PLT	1	J1022	1	J1022	1	J1022
18	Nut, Lock, 1/2-13, PLT, Gr. 8	5	J1042	5	J1042	7	J1042
19	Bracket, Support, Lid	1	RR1111	1	RR1111	2	RR1111
20	Bolt, Carriage, 1/2-13, 1.5, PLT, Gr. 5,	2	J0739	2	J0739	4	J0739
21	Rod, Indicator	1	RR1208	1	RR1208	2	RR1208
22	Float, Drill Level Indicator	1	J6982	1	J6982	2	J6982
23	Grommet, Rubber, 1/4 x 3/8 x 5/8 Long	1	J49765	1	J49765	2	J49765
24	Washer, Flat, 1/4, PLT	26	J1105	38	J1105	54	J1105
25	Nut, Hex, 1/4-20, PLT	2	J0990	2	J0990	4	J0990
26	Nut, Hex, Acorn, 1/4-20, PLT	1	J0989	1	J0989	2	J0989
27	Pointer	1	R6603	1	R6603	2	R6603
29	Screw, 3/8-16, 1, PLT, Gr. 5, HHCS	4	J0606	4	J0606	4	J0606
30	Nut, Hex, 3/8-16, PLT	6	J1020	6	J1020	6	J1020
31	Washer, Lock, 3/8, PLT, Split	6	J1205	6	J1205	6	J1205
32	Latch, Bail Handle	1	J23010	1	J23010	2	J23010
33	Screw, 1/4-20, 3/4", PLT, Gr. 5, HHCS	24	J0505	36	J0505	48	J0505
34	Nut, Lock, 1/4-20, PLT	24	J0992	36	J0992	48	J0992
35	Collar, Lock, Krause Meter	12	R6565	18	R6565	24	R6565
36	Setscrew, 1/4-20, 1/2", SH	12	J1075	18	J1075	24	J1075
37	Washer, Flat, 3/8, PLT	2	J1117	2	J1117	2	J1117
38	Flange Bracket, Handle flange, Painted	2	RR1277	2	RR1277	2	RR1277
39	Handle Weldment	1	RR1543	1	RR1278	2	RR1543
40	Cap, Rubber, 1"	2	J2232	2	J2232	4	J2232
41	Screw, 5/16-18, 1, PLT, Gr. 5, HHCS	6	J0527	6	J0527	12	J0527
42	Washer, Flat, 5/16", PLT	6	J1111	6	J1111	12	J1111
43	Washer, Lock, 5/16", PLT, Split	6	J1200	6	J1200	12	J1200
44	Nut, Hex, 5/16-18, PLT	6	J1002	6	J1002	12	J1002
45	Plug, Meter, Hopper Bottom	2	RR1122	2	RR1122	---	-----



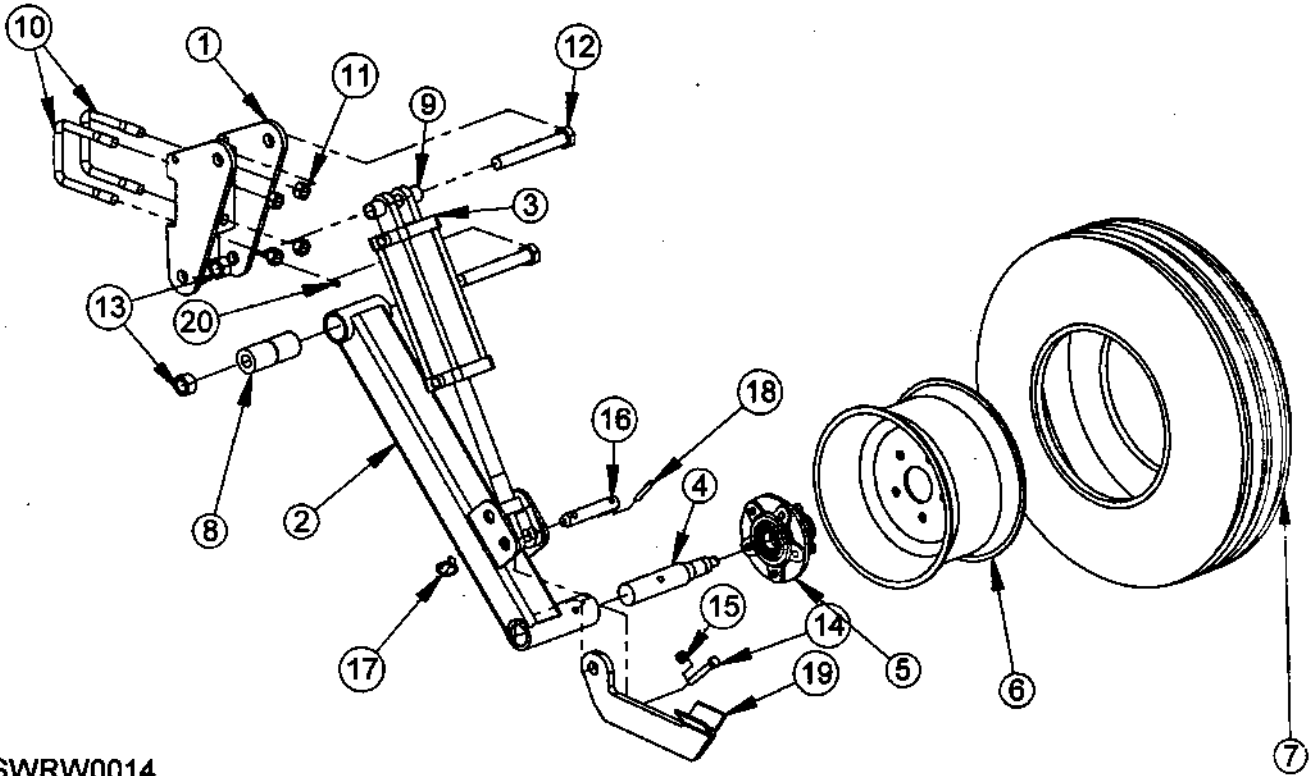
# REAR DRIVE WHEEL ASSEMBLY



# REAR DRIVE WHEEL ASSEMBLY

REF. #	DESCRIPTION	QTY	COMP. #
1	Drive Wheel Mount Weld	1	RR1481
2	Drive Wheel Weld	1	RR1254
3	Pivot Sprocket Assembly	1	RR1256
4	Spring Rod Weldment	1	RR1257
5	Spring, Comp. 80#, 1.585 OD x 15"	1	J23662
6	Pin, Drive Wheel	1	RR1114
7	Nut, 3/4 - 10 PLT	1	J1051
8	Nut, Hex, 3/4 - 10 Jam	1	J1058
9	Bearing, 1-1/4", With Flanges	2	J11901
10	Weldment, Drive Axle	1	RR1115
11	Rim, 5H-14 x 8, Wheel	1	J7244
12	Lugbolt, 7/16-20 NF x 1	5	J0712
13	Sprocket, Idler, 40B16, 1.25, Bore	1	J1640
14	Inner Bushing	2	R6733
15	Plastic Roller	2	R6732
16	Bolt, 3/8" x 2-1/2" Carriage	1	J0656
17	Washer, Flat, 3/8", PLT	4	J1117
18	Nut, Hex, 3/8-16, PLT	9	J1020
19	Washer, Lock, 3/8, PLT	8	J1205
20	Tire, Super Lug, 23 x 8-1/2"	1	J7243
21	Pin, Cotter, 1/4, 2 PLT	1	J1455
22	Bolt, 3/8" x 1" Carriage	4	J06064
23	Bushing, 1-1/4: x 1 x 1, Split	2	J00846
24	Key, 1/4 x 1-1/2" Stock	1	E9007
25	#40 Roller Chain 98 Links	2	RR1443
26	66 Links #40 Roller Chain	1	RR1337
27	Chain, Link, #40 Connector	1	J1745
28	Guard, Drive Wheel Assembly	1	RR1474
29	Nut, Sert, 5/16-18 x .312 Grip	2	J1012
30	Washer, Flat, 5/16"	2	J1111
31	Screw, 5/16-18, 1, PLT, Gr. 5, HHCS	2	J0527
32	Washer, Lock, 5/16, PLT, Split	2	J1200
33	U-Bolt, 3/4-10 x 4 x 5-3/4"	1	J07148
34	Nut, Lock, 3/4 - 10 Grade B	2	J1057
35	Adjustment Strap, Coultter Spring	1	R120285
36	Bolt, 3/8" x 1-1/2", Carriage	1	J0632
37	Bolt, 3/8-16 x 4" PLT, Gr. 5, Full Thread	1	J0682
38	Screw, 1/4-20, 2, Gr. 5, PLT, HHCS	1	J05134
39	Nut, Lock, 1/4-20, PLT	1	J0992

# LIFT WHEEL ASSEMBLY PULL TYPE DRILL

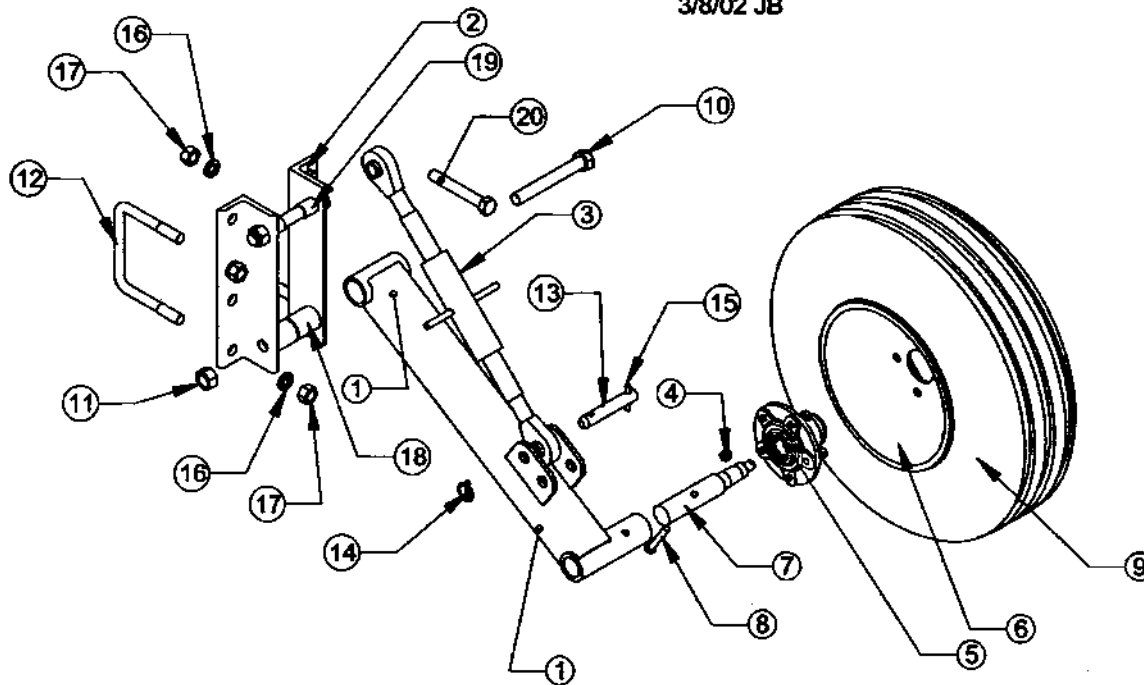


SWRW0014  
11/21/03 JB

REF. #	DESCRIPTION	7Ft		10Ft		15Ft	
		QTY	COMP. #	QTY	COMP. #	QTY	COMP. #
1	Lift Wheel Mount Weldment	2	RR1477	2	RR1477	2	RR1477
2	Arm Lift Wheel Weldment, Right	1	RR1249	1	RR1249	--	----
2	Arm Lift Wheel Weldment, Left	1	RR1242	1	RR1242	--	----
2	Arm, Lift Wheel Weldment, Dual Wheels	--	----	--	----	2	RR1603
3	Cylinder, See Hydraulic Components	--	----	--	----	--	----
4	Spindle, 5 bolt, Left & Right	2	S15394	--	----	--	----
4	Spindle, 6 bolt, Left & Right	--	----	2	R305004	2	R305004
5	Hub Assembly Complete, 5 Bolt (7Ft) Left & Right	1	J7280	--	----	--	----
5	Hub Assembly Complete, 6 Bolt (10&15Ft) Left & Right	--	----	2	J72352	4	J72352
6	Rim, Wheel, 15 x 5, 5 Bolt (7Ft) Left & Right	2	J72775	--	----	--	----
6	Rim, Wheel, 15 x 8, 6 Bolt (10&15Ft) Left & Right	--	----	2	J72783	4	J72783
7	Tire, 9.5L - 15, 6-Ply, Tube Type	2	J72545	2	J72545	4	J72545
8	Pivot Bushing	2	W20527	2	W20527	2	W20527
9	Spacer, 1-1/8"	4	M5112	4	M5112	4	M5112
10	U-Bolt, 3/4-10 x 4 x 5-3/4	4	J07148	4	J07148	4	J07148
11	Nut, Lock, 3/4 - 10 Grade B	8	J1057	8	J1057	8	J1057
12	Screw, 1-8 x 7.5, HHCS	4	J0918	4	J0918	4	J0918
13	Nut, Top Lock, 1-8	4	J1061	4	J1061	4	J1061
14	Screw, 1/2 - 13, 3.25	2	J0752	2	J0752	2	J0752
15	Lock Nut, 1/2 - 13	2	J1042	2	J1042	2	J1042
16	Upper 3-pt Pin, Cat II	2	S18456	2	S18456	2	S18456
17	Lynch Pin, 7/16	2	J15481	2	J15481	2	J15481
18	Roll Pin, 3/8 x 2-1/2"	2	J1513	2	J1513	2	J1513
19	Transport Lock Weldment	2	RR1519	2	RR1519	2	RR1519
20	Zerk, 1/4, 60° Drive In	2	J36056	2	J36056	2	J36056

# GAUGE WHEEL ASSEMBLY - 3 POINT DRILL

3/8/02 JB

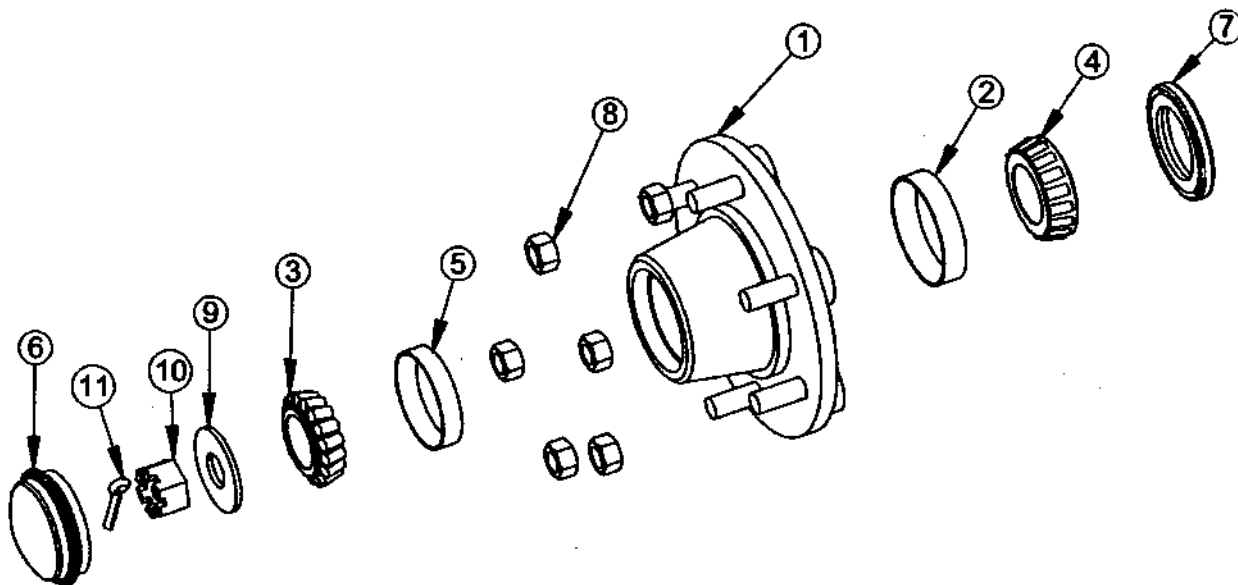


REF. #	DESCRIPTION	QTY	COMP. #
1	Arm Lift Wheel Right	1	RR1249
1	Arm Lift Wheel Left	1	RR1242
2	Angle Mounting, Gauge Wheel	2	RR1244
3	Turnbuckle - 1-1/8", NCX21-31	1	J0905
4	Nut, Lock, 1/2-13, PLT, Gr. 8	1	J1042
5	Hub assembly, 6 Bolt, 3000 # W/Accs.	1	J72352
6	Rim, 6hole, 8 x 15, 4-5/8, Pilot	1	J72783
7	Spindle, 6 Bolt, 3000#, 1.75" x 12"	1	R305004
8	Screw, 1/2-13, 3.25	1	J0752
9	Tire, 9.5LX15, 6 Ply W/Tube	1	J72545
10	Screw, 1-8 x 7.5, HHCS, Gr. 5, PLT	2	J0918
11	Nut, Top Lock, 1-8	2	J1061
12	U-Bolt, 7/8-9 x 7 x 6-1/2"	1	J08373
13	Upper, 3 Point, Cat II	1	S18456
14	Lynch Pin, 7/16"	1	J15481
15	Roll Pin, 3/8 x 2-1/2	1	J1513
16	Washer, Lock, 7/8, PLT, Split	4	J1222
17	Nut, Hex, 7/8-9, PLT	4	J1059
18	Bushing, Pivot, Gauge Wheel	1	W20527
19	Spacer, 1.25OD x 1.03ID s 1.475	2	M5112
20	Screw, 7/8-9 x 6, HHCS, Gr. 5	2	J0836

# HUB ASSEMBLY

## 6 BOLT - J72352

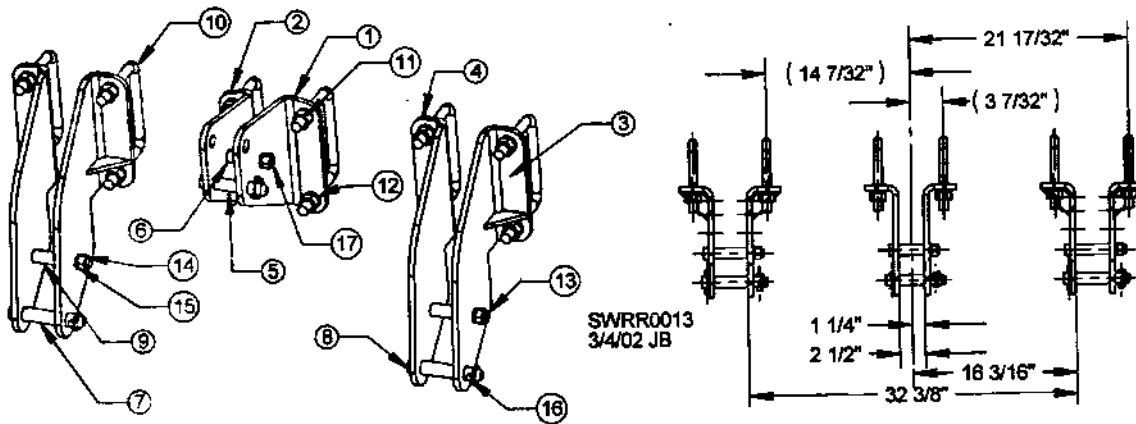
## 5 BOLT - J7280



SWSH072  
7/1/03 JB

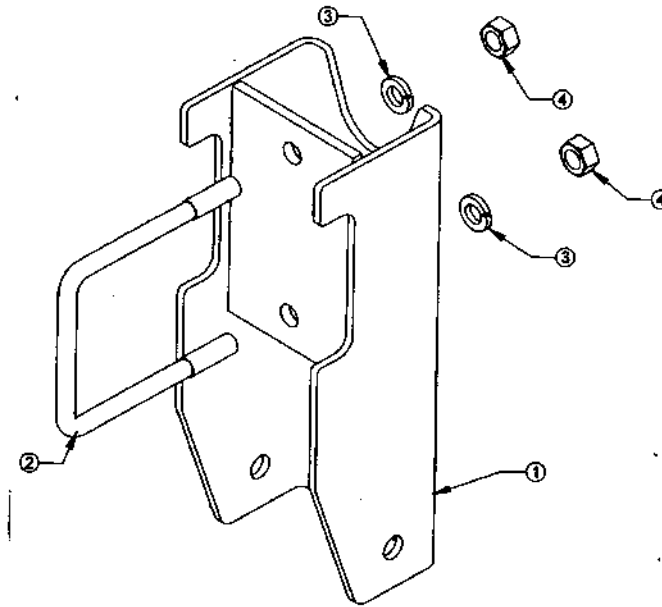
REF. #	DESCRIPTION	QTY	5 BOLT	6 BOLT
			COMP. #	COMP. #
1	Hub Assembly W/Studs, Includes Items 1-8	1	J7280	J72352
2	Cup, Bearing, LM 29710	1	J0114	J01255
3	Bearing, Tapered, 1.25" x .66"	1	J0140	J0140
4	Bearing, Tapered, Roller LM 29749	1	J0113	J01254
5	Cup, Bearing, 1.25"	1	J0141	J0141
6	Dust Cover, 2-7/16 OD	1	J72331	J72331
7	Seal, 1.75 x 2.722, C/R, 17617 HB18	1	J7018	J7018
8	Nut, Wheel, 1/2 - 20, PLT, 60	6	J1043	J1043
9	Washer, Flat, 3/4"	1	J1130	J1130
10	Nut, Hex, 3/4 - 16, Slotted	1	J1050	J1050
11	Pin, Cotter, 3/16, 1-1/2", PLT	1	J1432	J1432

# 3-POINT HITCH



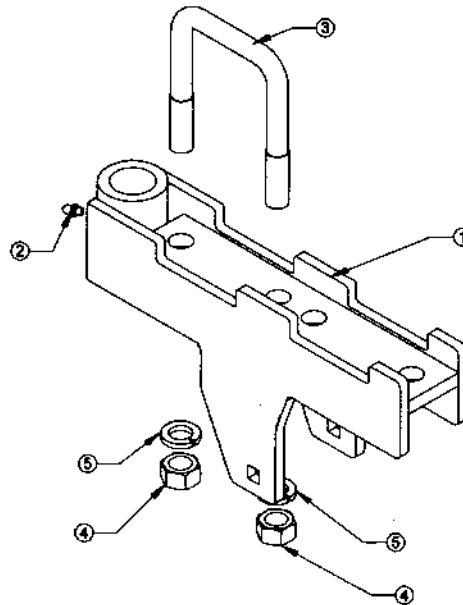
REF. #	DESCRIPTION	QTY	COMP. #
1	Plate, Center Mast, Left	1	RR1247
2	Plate, Center Mast, Right	1	RR1248
3	Lower Arm Weldment, Left	2	RR1245
4	Lower Arm Weldment, Right	2	RR1246
5	Pin, Upper 3PT, Cat II	1	S18456
6	Bushing, 3/4ID, Sch40, 201/2" Long	1	RR1250
7	Pin, Lower, 1-1/8 x 4-3/4 x 6, Long	2	J15387
8	Pin, Roll, 3/8 x 2-1/2"	3	J1513
9	Bushing, 3/4ID, Sch40, 3-3/8 Long	2	RR1251
10	U-Bolt, 7/8-9 x 7 x 6-1/2	6	J08373
11	Nut, Hex, 7/8 - 9 PLT	12	J1059
12	Washer, Lock, 7/8", PLT, Split	12	J1222
13	Screw, 3/4-10 x 5-1/2, PLT, Gr. 5 HHCS	2	J0813
14	Nut, Hex, 3/4 - 10, PLT, Gr. 5	3	J1051
15	Washer, Lock, 3/4", PLT, Split	3	J1220
16	Lynch Pin, 7/16"	3	J15481
17	Screw, 3/4- 10 x 4.5 HHCS, PLT, Gr. 5	1	J0817

## CONVENTIONAL MOUNTING BRACKET RR1429



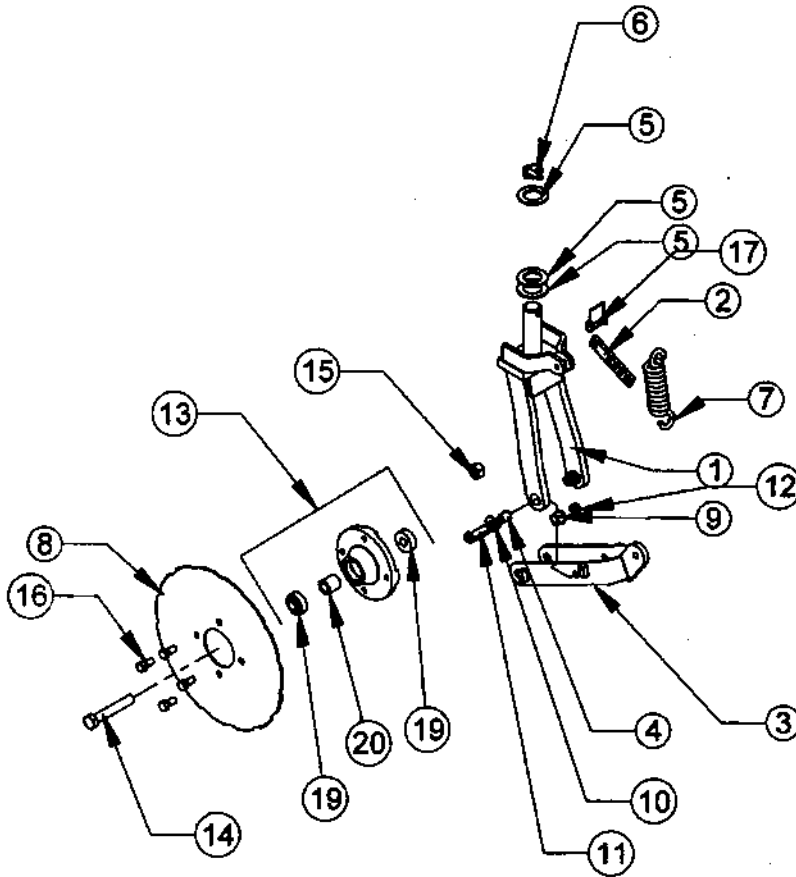
REF. #	DESCRIPTION	QTY	COMP. #
1	Weldment, Row Mounting Bracket	1	RR1325
2	U-Bolt, 7/17-14 x 3-1/2" x 4-1/2"	1	J08394
3	Washer, Lock, 7/16, PLT, Split	2	J1210
4	Nut, Hex, 7/16-14, PLT	2	J1035

## NO-TILL MOUNTING BRACKET RR1428



REF. #	DESCRIPTION	QTY	COMP. #
1	No-Till Mounting Bracket	1	RR1240
2	Zerk, Drive In, Grease, 1/4"	1	J3605
3	U-Bolt, 3/4 x 3-1/2" x 5, Gr. 5	1	J0714
4	Nut, 3/4 - 10, PLT	2	J1051
5	Lock Washer, 3/4"	2	J1220

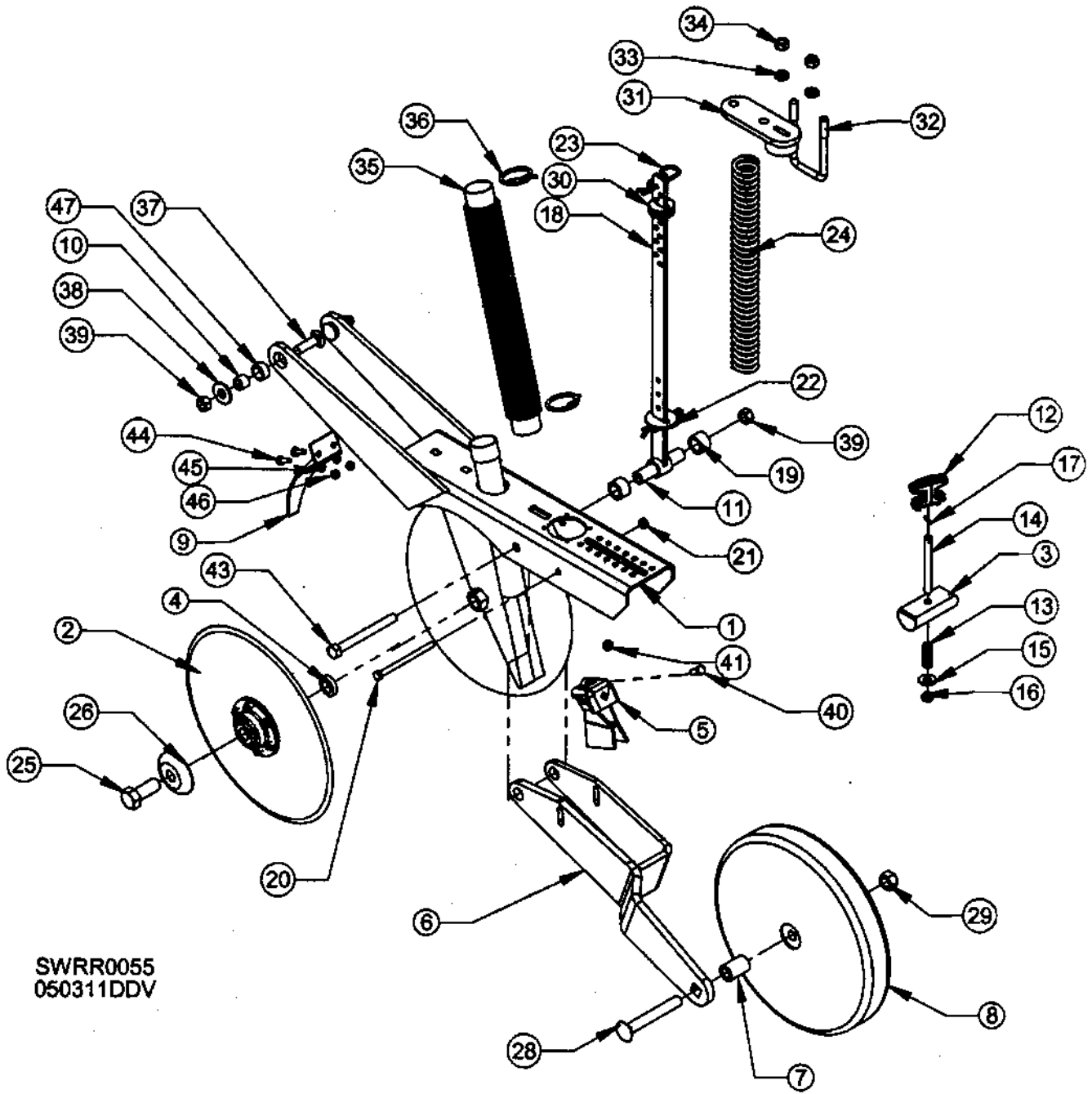
## NO TILL COULTER ASSEMBLY RR6651



REF. #	DESCRIPTION	QTY	COMP. #
1	Coulter Fork Assembly	1	R520192
2	Adjustment Strap, Coulter Spring	1	R120285
3	Coulter Yoke	1	R520195
4	Bushing, Swivel, Large	2	R103003
5	Bushing, Machine, 1-1/2"-10Ga., N-Rim	3	J1285
6	Lynch Pin, 7/16"	1	J15481
7	Spring, 2" ID, 10 Coil, 9", 3/8" Wire	1	J2382
8	15" Fluted Coulter Blade	1	K5624
9	Bushing, Oilite Brass	2	J00821
10	Washer, flat, 1/2"	2	J1125
11	Screw, 1/2-13 x 1.75 PLT, Gr. 5 HHCS	2	J0733
12	Lock Nut, 1/2-13	2	J1042
13	Sealed No-Till Hub Assembly	1	RR1367
14	Screw, 3/4-10 x 4.5 PLT, HHCS	1	J0817
15	Nut, Lock, 3/4 - 10, Gr. B	1	J10571
16	Screw, 1/2 - 20, 1.25", PLT	4	J0724
17	Pin, Snapper	1	J5430
18	Washer, lock, 1/2, PLT	4	J1215
19	Bearing, 3/4", FAFNIR RA012RR	2	J00303
20	Spacer	1	RR1368



# OPENER ASSEMBLY - RR1427

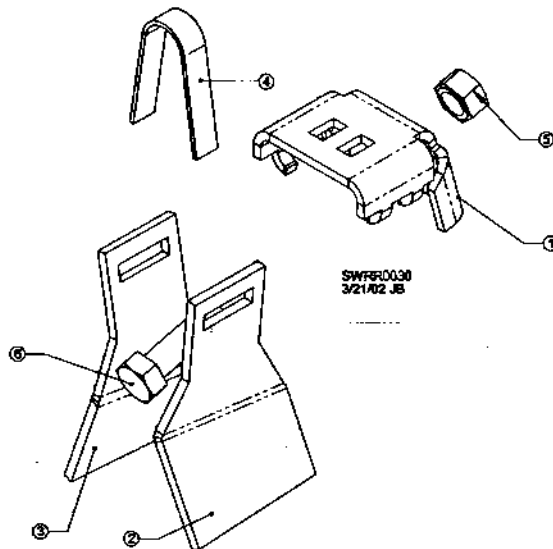


SWRR0055  
050311DDV

## OPENER ASSEMBLY - RR1427

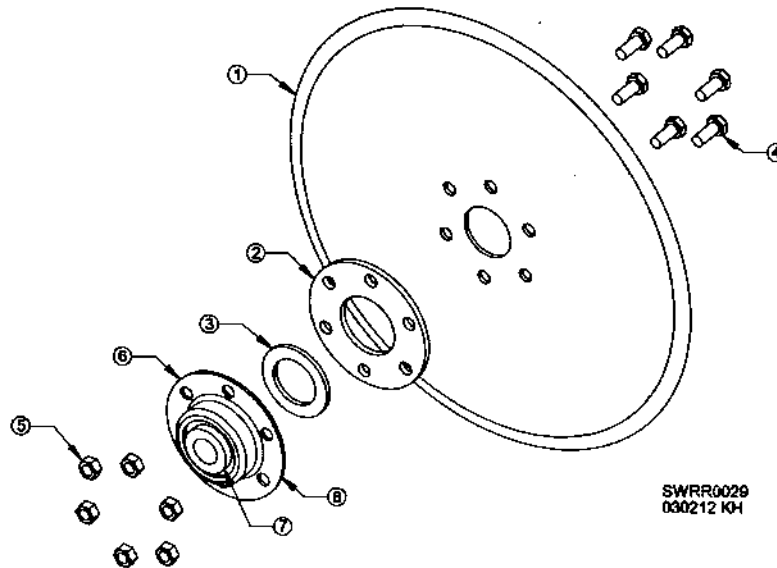
REF. #	DESCRIPTION	QTY	COMP. #
1	Weldment, Opener Frame	1	RR1343
2	Assembly, Bearing & Blade 13" DDO	2	R522045
3	Depth Adjustment Block	1	RR1345
4	Bearing Spacer, 1-1/4"OD, .765ID, .300	2	R305002
5	Assembly, Inside Scraper	1	R522876
6	Single side Press Wheel	1	RR1344
7	Bushing 1 x .625 x 1.5	1	M2207
8	Wheel, 2 x 13, Assembly, Nylon, Ace	1	J72661
9	Blade Guard	1	R520384
10	Bushing, 3/4"OD x11 Ga. X 15/32"Long (Before 2005)	2	R103002
	Bushing 3/4"OD x 1/2"ID x 5/8" Long ( 2005)	2	M3320
11	Bushing	1	RR1347
12	T-Handle, Opener	1	K5619
13	Spring, Comp., 120WR, 7 Coils	1	J2381
14	Rod, T-Handle	1	J0679
15	Washer, Flat, 3/8, PLT	1	J1117
16	Nut, Hex, 3/8-16, PLT Lock	1	J1025
17	Pin, Roll, 1/8, 3/4", PLT	1	J1477
18	Rod, Spring, Down Pressure	1	R6554
19	Bushing, Down Pressure Rod	2	RR1364
20	Screw, 5/16-18, 4.5, PLT, Gr. 5	1	J0599
21	Nut, Lock, 5/16-18, PLT	1	J1010
22	Seat, Spring, Unit, 2", PLT	1	R120029
23	Clip, Hair Pin, .09 x2	2	J5414
24	Spring, Comp. #80, 1.585OD x 15"	1	J23662
25	Screw, 3/4-10, 1.75, PLT, Gr. 5, Left Hand	1	J08065
	Screw, 3/4 x 1.75 PLT, Gr. 5 Right Hand	1	J08063
26	Dust Shield	2	R124023
27	Screw, 3/4-10, 1.75, PLT, Gr. 5, HHCS	1	J08063
28	Bolt, 5/8-11, 4.5, PLT, Gr. 5, Carriage	1	J07846
29	Nut, 5/8-11, Top Lock	1	J1047
30	Plastic Bushing for Top of Spring	2	R9999
31	Down Pressure Spring Bracket	1	RR1306
32	U-Bolt, 7/16-14 x 2 x 4-1/4"	1	J0839
33	Washer, Lock, 7/16, PLT, Split	2	J1210
34	Nut, Hex, 7/16-14, PLT	2	J1035
35	Seed Tube	1	J7360
36	Clamp Seed Tube	2	J7361
37	Bolt, 1/2-13, 1.75, PLT, Gr. 5, Carriage	2	J0731
38	Washer, Flat, 1/2"	2	J1125
39	Lock Nut, 1/2-13	3	J1042
40	Screw, 5/16-18, PLT	1	J0520
41	Nut, Hex, 5/16, PLT, split	1	J1002
42	Washer, Lock, 5/16, PLT, Split	1	J1200
43	Screw, 1/2-13, 4-3/4, Gr. 5 HHCS	1	J07581
44	Bolt, 1/4-20 x 3/4	2	J0505
45	Washer, Lock, 1/4, PLT	2	J1195
46	Nut, Hex, 1/4-20	2	J0990
47	Split Bushing, 1" OD x 3/4" ID x 1/2" Long (2005)	2	J00752

## COMPLETE SCRAPER ASSEMBLY - R522876



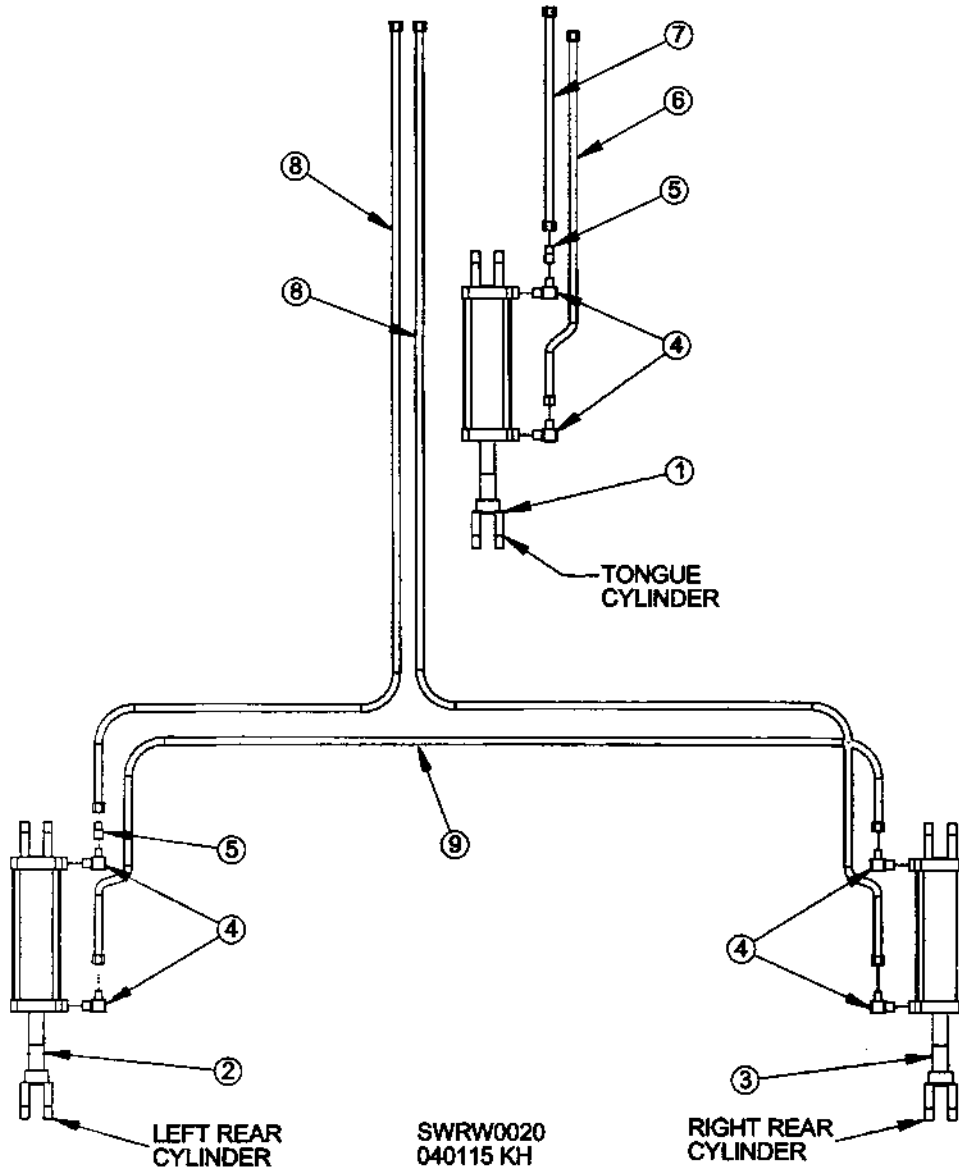
REF. #	DESCRIPTION	QTY	COMP. #
1	Bracket, Scraper Mounting	1	J2384
2	Scraper, Inside, Left - 215 Opener	1	R120272
3	Scraper, Inside, Right - 215 Opener	1	R120271
4	Spring, Scrapers	1	J8131
5	Nut, Hex, 3/8-16, PLT, Lock	1	J1025
6	Screw, 3/8 - 16, 1.25", PLT, Gr. 5, HHCS	1	J0616

## COMPLETE DOUBLE DISC OPENER BLADE ASSEMBLY - R522045



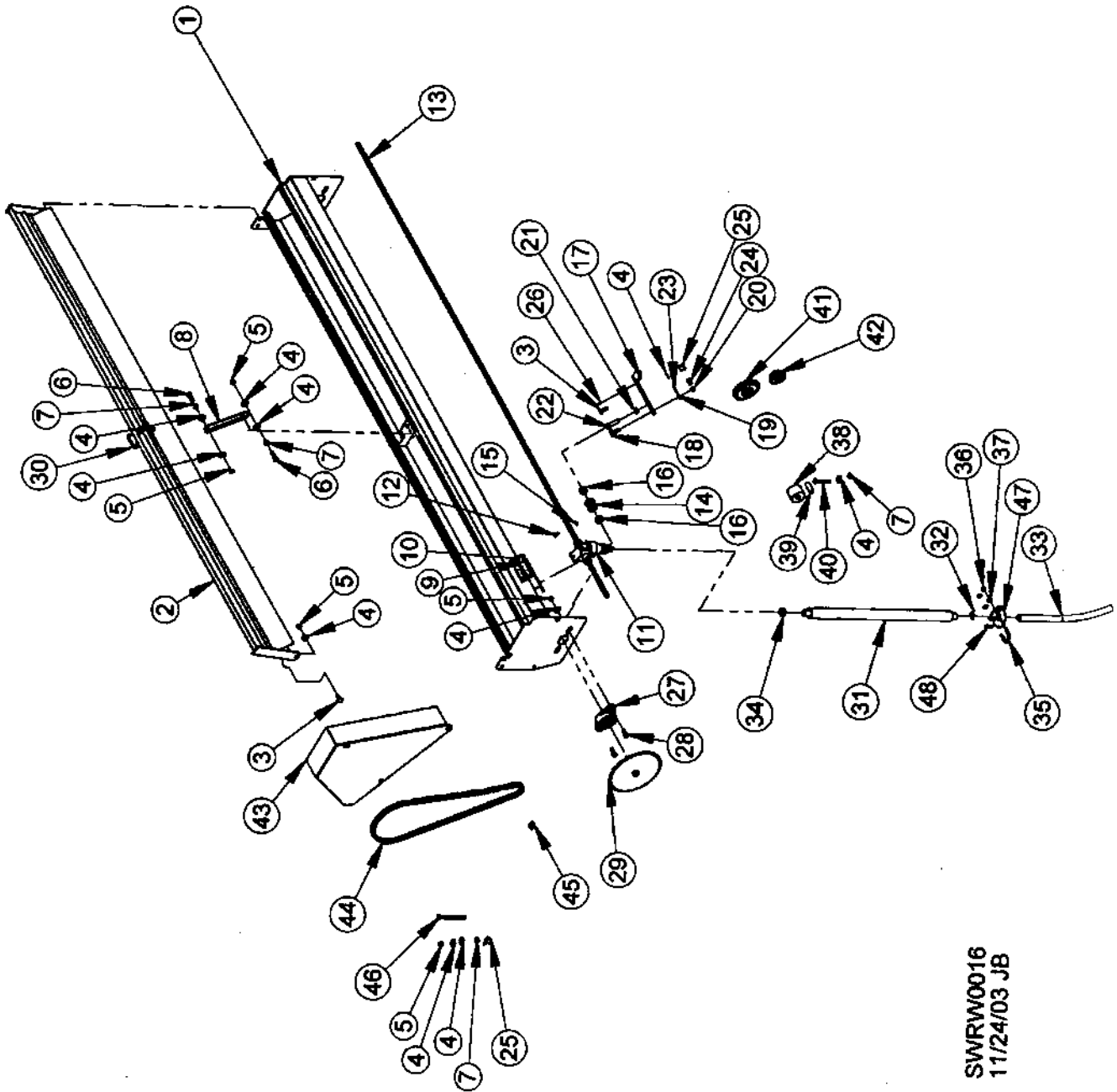
REF. #	DESCRIPTION	QTY	COMP. #
1	Blade, Disc, 13"	1	K5577
2	Plate, Bearing D/O	1	R105009
3	Bushing, Machine, 1-3/8-10Ga. Narrow Rim	1	J1275
4	Screw, 5/16-18, 3/4" PLT	6	J0520
5	Nut, Lock, 5/16-18, PLT	6	J1010
6	Bearing, 3/4" ID, with Flange	1	J00541
7	Bearing Only	1	J0054
8	Flange Only	1	J00064

# HYDRAULIC COMPONENTS FOR PULL-TYPE 2300 DRILLS



REF. #	DESCRIPTION	Cylinder Seal Kit	7FT		10FT		15FT	
			QTY	COMP. #	QTY	COMP. #	QTY	COMP. #
1	Cylinder, 3 x 8", W/ STP	J72021	1	J71945	1	J71945	---	-----
1	Cylinder, 3.5 x 8", ASAE	J71073	---	-----	---	-----	1	J7107
2	Cylinder, 2.75" x 8", RPHSNG, W/STP	J71935	1	J7193	1	J7193	---	-----
2	Cylinder, 3 x 8", RPHSING, W/ STP	J72022	---	-----	---	-----	1	J71931
3	Cylinder, 2.5 x 8", RPHSING, W/ Pins	J720020	1	J7174	1	J7174	---	-----
3	Cylinder, 2.75 x 8", RPHSNG, W/ Pins	J71935	---	-----	---	-----	1	J71941
4	Elbow 90° 1/2MIP x 3/4 - 16MJIC, 1208		6	J71021	6	J71021	6	J71021
5	Restrictor - 3/4"		2	J71028	2	J71028	2	J71028
6	Hydraulic Hose, 3/8" ID x 6' W/ Fittings		1	S1905	1	S1905	1	S1905
7	Hydraulic Hose, 3/8" ID x 5' W/ Fittings		1	M3736	1	M3736	1	M3736
8	Hydraulic Hose, 3/8" ID x 19' 6" W/ Fittings		2	RR1469	---	-----	---	-----
	Hydraulic Hose, 3/8" ID x 21' W/ Fittings		---	-----	2	G2212	---	-----
	Hydraulic Hose, 3/8" ID x 23' 6" W/ Fittings		---	-----	---	-----	2	RR1557
9	Hydraulic Hose, 3/8" ID 7.5' W/ Fittings		1	M3442	---	-----	---	-----
	Hydraulic Hose, 3/8" ID x 10' 6" W/ Fittings		---	-----	1	RR1515	---	-----
	Hydraulic Hose, 3/8" ID x 15' 6" W/ Fittings		---	-----	---	-----	1	RR1556

# SMALL SEEDER ASSEMBLY (OPTIONAL) 7', 10', & 15'



SWRW0016  
11/24/03 JB

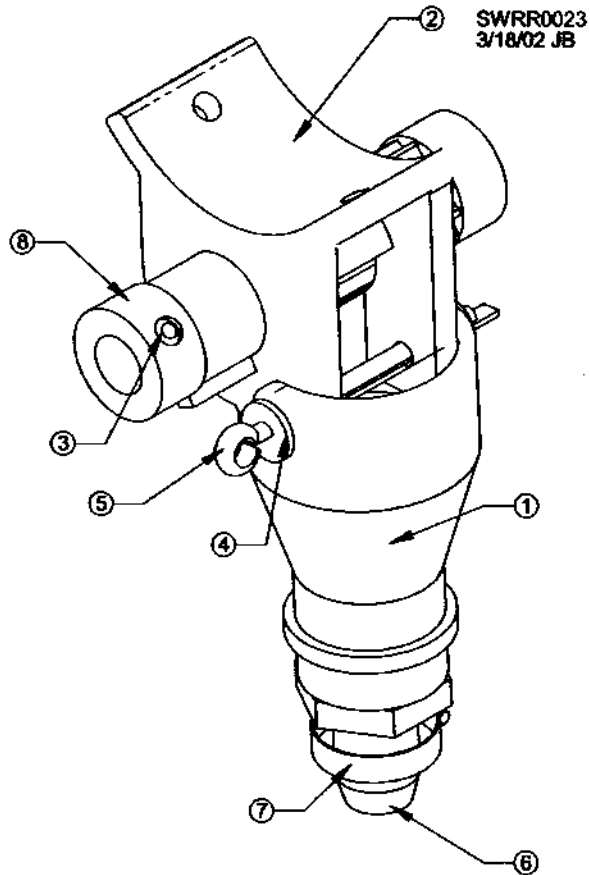
# SMALL SEEDER ASSEMBLY (OPTIONAL)

## 7', 10', & 15'

REF. #	DESCRIPTION	7FT		10FT		15FT	
		QTY	COMP. #	QTY	COMP. #	QTY	COMP. #
1	Small Hopper Weldment	1	RR1548	1	RR1302	2	RR1548
2	Weldment, Lid,	1	RR1549	1	RR1304	2	RR1549
3	Bolt, 3/8" x 1" Carriage	3	J06064	3	J06064	6	J06064
4	Washer, Flat, 3/8, PLT	12	J06064	12	J06064	24	J06064
5	Nut, Hex, 3/8-16, PLT, Lock	7	J1025	7	J1025	14	J1025
6	Screw, 3/8-16, 1.25", PLT	2	J0616	2	J0616	4	J0616
7	Nut, Hex, 3/8-16, PLT	4	J1020	4	J1020	8	J1020
8	Bracket Side	1	RR1125	1	RR1125	2	RR1125
9	Plate, Gauge, Lever Adjustment	1	L0845	1	L0845	1	L0845
10	Rivet, Pop, 3/16 x 3/8, #66	2	J1599	2	J1599	2	J1599
11	Assembly, Grass Seed Meter	12	R522449	18	R522449	24	R522449
12	Bolt, 1/4 - 20 x 1/2	24	J0504	36	J0504	48	J0504
13	Meter Shaft	1	RR1550	1	RR1307	2	RR1550
14	Spool, Adjustment, Meter	1	RR1119	1	RR1119	1	RR1119
15	Nut, Lock, 1/4 - 20 x 1/2"	24	J0992	36	J0992	48	J0992
16	Shaft Collar - Modified	2	M3709	2	M3709	2	M3709
17	Handle Meter Adjustment	1	RR1121	1	RR1121	1	RR1121
18	Bearing, .75, Cam Follower, CF	1	J0035	1	J0035	1	J0035
19	Washer, Lock, 3/8, PLT	1	J1205	1	J1205	1	J1205
20	Nut, Hex, 3/8-24, PLT, Fine Thread	1	J1030	1	J1030	1	J1030
21	Spacer, Medium Swivel	1	RR1105	1	RR1105	1	RR1105
22	Screw, 1/2 - 13, 1.5, Gr. 5, HHCS	1	J0730	1	J0730	1	J0730
23	Washer, Flat, 1/2"	1	J1125	1	J1125	1	J1125
24	Nut, Lock, 1/2-13	1	J1042	1	J1042	1	J1042
25	Nut, Wing, 3/8-6, PLT	2	J1022	2	J1022	2	J1022
26	Roll Pin	1	J1480	1	J1480	1	J1480
27	Bearing, 1", Flange	1	J0003	1	J0003	1	J0003
28	Screw, 3/8-16, 1, PLT	2	J0606	2	J0606	2	J0606
29	Sprocket, Weldment, 47 Tooth	1	RR1324	1	RR1324	1	RR1324
30	Latch, Bail Handle	1	J23010	1	J23010	2	J23010
31	Small Seed Tube, Grass Seed	12	J7363	18	J7363	24	J7363
32	Clamp, Seed Tube	12	J7364	18	J7364	24	J7364
33	Grass Seed Tube	12	RR1332	18	RR1332	24	RR1332
34	Hose Clamp	12	J23192	18	J23192	24	J23192
35	U-Bolt, 5/16-18, PLT	12	J0810	18	J0810	24	J0810
36	Nut, Lock, 5/16-18, PLT	24	J1010	36	J1010	48	J1010
37	Washer, Flat, 5/16	24	J1111	36	J1111	48	J1111
38	Plastic Roller	1	R6732	1	R6732	1	R6732
39	Inner Bushing	1	R6733	1	R6733	1	R6733
40	Bolt, 3/8" x 2-1/2" Carriage	1	J0656	1	J0656	1	J0656
41	Sprocket, 40B23, .895 Hex	1	RR1491	1	RR1491	1	RR1491
42	Sprocket, 40B13, Hex Bore	1	R6590	1	R6590	1	R6590
43	Grass Seeder Shield	1	RR1328	1	RR1328	1	RR1328
44	Chain, #40, 99 Links	1	R624188	1	R624188	1	R624188
45	Chain, Link, #40 Connector	1	J1745	1	J1745	1	J1745
46	Bolt, 3/8" -16, 4.5, GR., Carriage	12	J0683	1	J0683	1	J0683
47	Weldment, Small Grass Seed Tube Holder	12	RR1365	18	RR1365	24	RR1365
48	Screw, 1/4 - 14, 1, PLT, Selfdrill	24	J0501	36	J0501	48	J0501

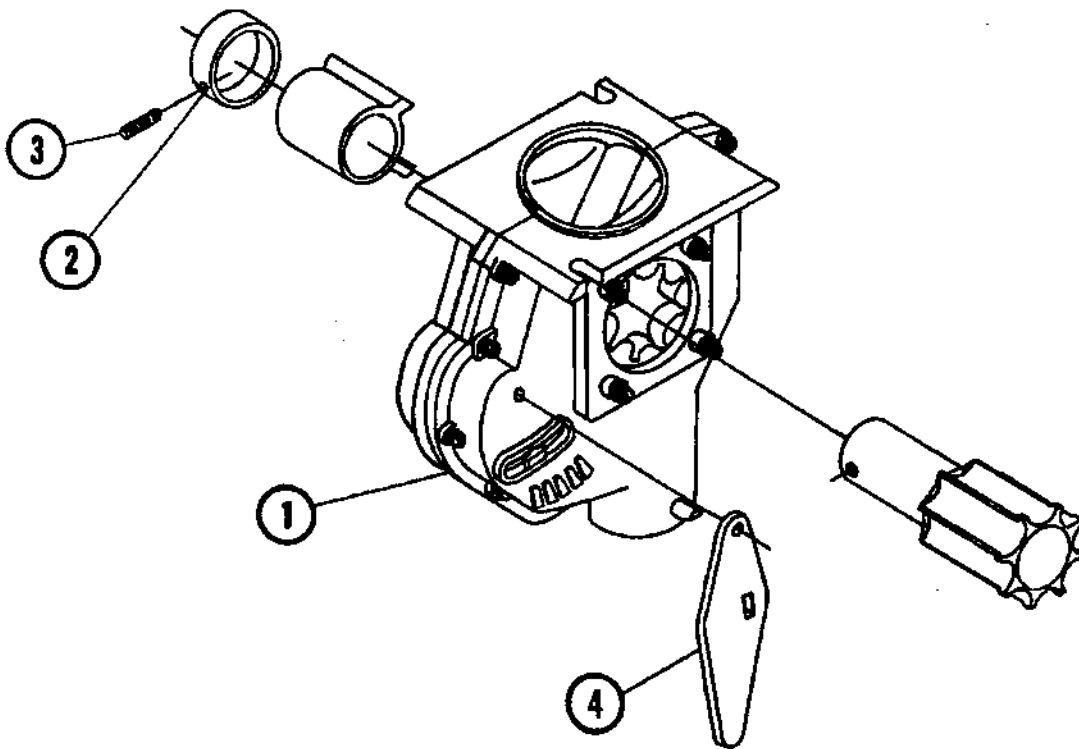
# SMALL SEED METER

ASSEMBLY # R522449



REF. #	DESCRIPTION	QTY	COMP. #
1	Bamlet, Swivel, Threaded	1	R820015
2	Seed Meter, GS, Housing, Roller, Bushing	1	R522458
3	Setscrew, 1/4-20 x 1/4", Soc. Head	2	J1074
4	Washer, Flat, 3/16, PLT	2	J1100
5	Pin, Cotter, 3/16, 2-1/2", PLT	1	J1437
6	Hose, Barb, Plastic, 3/4", Male NPS	1	J7365
7	Hose Clamp, 5/8-1", #5	1	J23192
8	Shaft, Collar, 1/2"	2	M3709

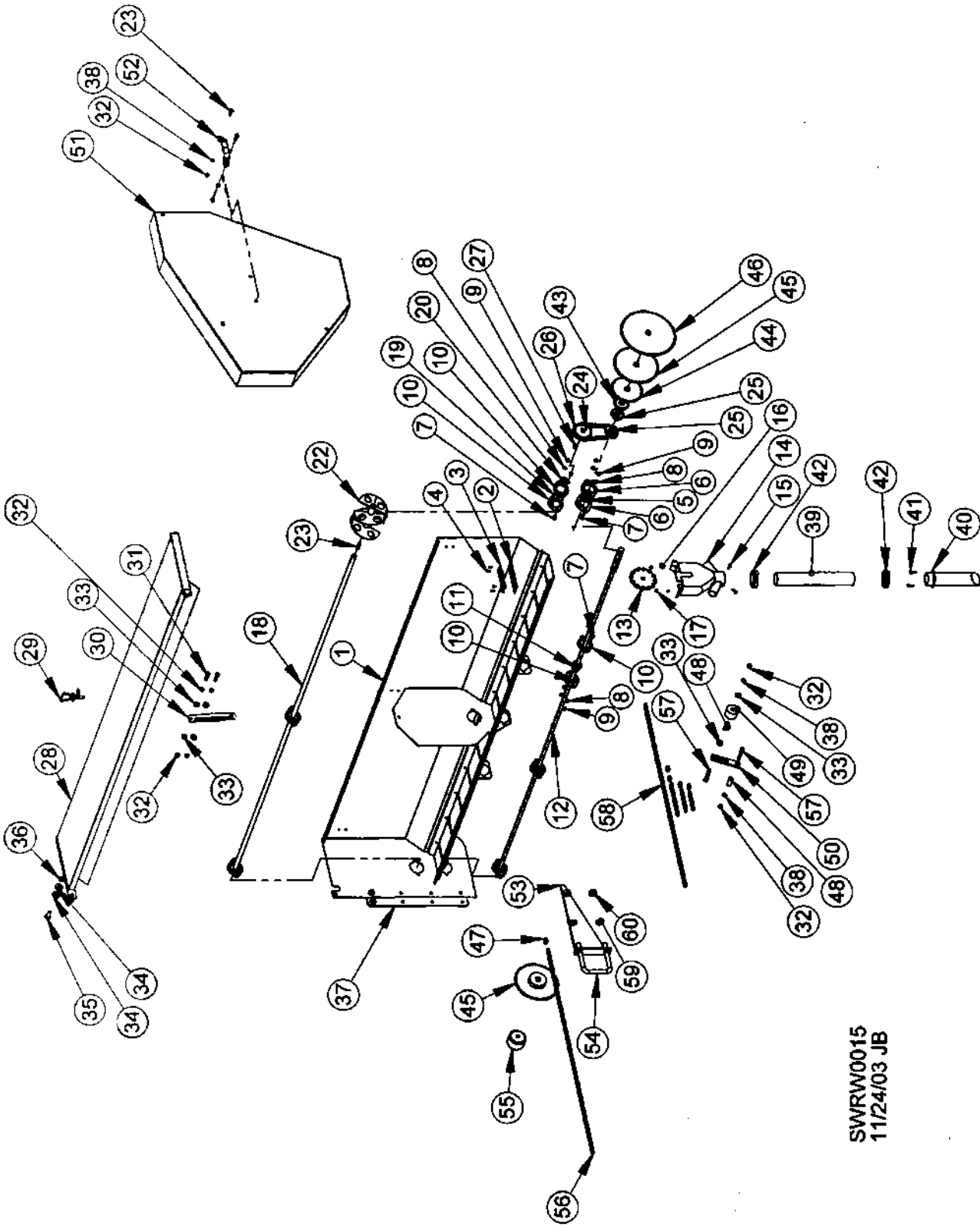
# LARGE SEED METER ASSEMBLY



REF. #	DESCRIPTION	QTY	COMP. #
1	Seed Meter Assembly (Includes Ref. #4)	1	J8120
2	Lock Collar	1	R6565
3	Setscrew, 1/4-20, 1/2" SH	1	J1075
4	Lever, Seed Cup Gate	1	J8120-03



# NATIVE GRASS SEEDER (OPTIONAL)



SWRW0015  
11/24/03 JB

## NATIVE GRASS SEEDER (OPTIONAL)

REF. #	DESCRIPTION	QTY	7' COMP. #	QTY	10' COMP. #	QTY	15' COMP. #
1	Weldment, Hopper	1	RR1585	1	RR1369	2	RR1585
2	Gasket, Rubber, NGS, Picker Wheel	12	J8109	16	J8109	24	J8109
3	Rubber Seal Retain NGS	12	RR1372	16	RR1372	24	RR1372
4	Rivet, Pop, 3/16 x 3.8, #66	48	J1599	64	J1599	96	J1599
5	Brg, 1", Center, FH205-16, W/L CLR	1	J0005	1	J0005	2	J0005
6	Flangette, 2hole, 205 bearing	2	J00985	2	J00985	4	J00985
7	Bolt, 5/16-18, 1", Carriage	14	J0535	16	J0535	28	J0535
8	Washer, Lock, 5/16, 5/16, PLT, Split	14	J1200	16	J1200	28	J1200
9	Nut, Hex, 5/16-18, PLT	14	J1002	16	J1002	28	J1002
10	Flangette, 2 hole, 204 bearing	12	J0099	14	J0099	24	J0099
11	Bearing, 1/2 sq.3/4 Flangette	3	J8108	4	J8108	6	J8108
12	Picker Wheel Shaft Weldment	1	RR1585	1	RR1373	2	RR1585
13	Picker Wheel NGS	12	J8112	16	J8112	24	J8112
14	Meter, MGS, Housing, Unfin	12	J8110	16	J8110	24	J8110
15	Bolt, 1/4-20 x 3/4"	24	J0505	32	J0505	48	J0505
16	Washer, Lock, 1/4, PLT	24	J1195	32	J1195	48	J1195
17	Nut, Hex, 1/4-20	24	J0990	32	J0990	48	J0990
18	Drive Shaft, Agitator	1	RR1586	1	RR1376	2	RR1586
19	Bearing, Self-Aligning, 3/4"	3	J00062	3	J00062	3	J00062
20	Collar, Locking, 3/4	3	J0053	3	J0053	3	J0053
21	Washer, Flat, 5/16	14	J1111	16	J1111	28	J1111
22	Weldment, Agitator Assembly	12	RR1377	16	RR1377	24	RR1377
23	Screw, 3/8 - 16, 1, PLT	12	J0606	16	J0606	24	J0606
24	Sprocket, 40B, 25 Tooth, 3/4" Bore Keyed	1	J1638	1	J1638	2	J1638
25	Sprocket, 40B13, Hex Bore	2	R6590	2	R6590	3	R6590
26	Chain, #40, 39 Links	1	R124191	1	R624191	1	R624191
27	Key, 1/4" x 1"	1	E5915	1	E5915	2	E5915
28	Weldment, Hopper Lid	1	RR1583	1	RR1370	2	RR1583
29	Latch, Bail Handle	1	J230140	1	J230140	2	J230140
30	Slide Latch	1	R6694	1	R6694	2	R6694
31	Screw, 3/8-x 16, 1.50, Gr. 5 HHCS	2	J0627	2	J0627	4	J0627
32	Nut, Hex, 3/8-16, PLT	24	J1020	32	J1020	48	J1020
33	Washer, Flat, 3/8, PLT	22	J1117	32	J1117	48	J1117
34	Washer, Flat, 1/2"	4	J1125	4	J1125	8	J1125
35	Bolt, 1/2-13, 1.5, PLT, Gr. 5, Carriage	2	J0739	2	J0739	4	J0739
36	Lock Nut, 1/2-13	2	J1042	2	J1042	4	J1042
37	Bracket Mounting NGS	2	RR1374	2	RR1374	4	RR1374
38	Washer, Lock, 3/8, PLT	20	J1205	20	J1205	40	J1205
39	Seed Tube Native Grass	12	J7366	16	J7366	24	J7366
40	Weldment Native Grass Tube	12	RR1366	16	RR1366	24	RR1366
41	Screw, Selfdrill, 1/4 - 14, 1 PLT	24	J0501	32	J0501	48	J0501
42	Clamp, Hose, 1-13/16 x 2-3/4"	24	J2321	32	J2321	48	J2321
43	Sprocket, 40B15, .890 Hex Bore, GA5105	1	J1648	1	J1648	1	J1648
44	Sprocket, 40B33, .895 Hex	1	RR1493	1	RR1493	1	RR1493
45	Sprocket, 40B48, Hex Bore	2	R6589	2	R6589	2	R6589
46	Sprocket, 40B60, .895" Hex	1	RR1492	1	RR1492	1	RR1492
47	Chain, Link, #40 Connector	5	J1745	5	J1745	5	J1745
48	Inner Bushing	2	R6733	2	R6733	2	R6733
49	Plastic Roller	1	R6732	1	R6732	1	R6732
50	Adjustment Strap, Couther Spring	1	R120285	1	R120285	1	R120285
51	Shield, NGS Hopper	1	RR1384	1	RR1384	1	RR1384
52	Handle	1	RR1209	1	RR1209	1	RR1209
53	Walkboard Support, rear wheel Left	3	RR1494	3	RR1494	4	RR1494
54	U-Bolt, 3/4-10 x 4 x 5-3/4"	3	J07148	3	J07148	4	J07148
55	Meter, Acre	1	J81165	1	J81175	1	J81165
56	Chain, #40, 89 Links, PLTD	1	R6697	1	R6697	1	R6697
57	Screw, 3/8-16, 2.75, Gr. 5 HHCS	2	J0657	2	J0657	2	J0657
58	Chain Assembly	1	RR1516	1	RR1516	1	RR1516
59	Lock Washer, 3/4"	6	J1220	6	J1220	8	J1220
60	Nut, 3/4 - 10, PLT	6	J1051	6	J1051	8	J1051