



# Table of Contents

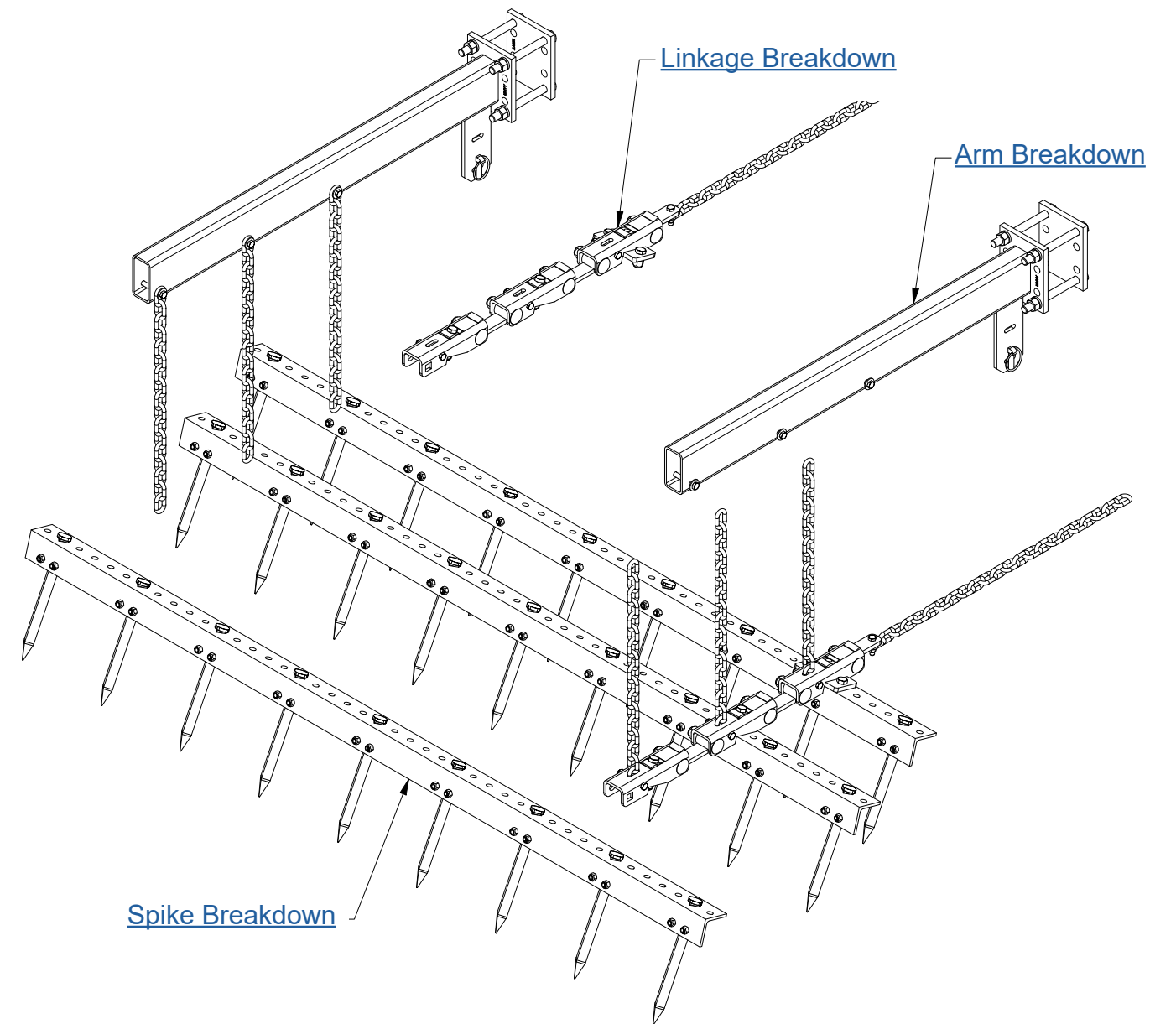
<b>Flex Harrow</b> .....	<b>5</b>
Flex Harrow Arm Breakdown .....	6
Flex Harrow Mounting Arms - LA & LH .....	7
Linkage Breakdown - LA.....	8
Tooth Bar Breakdown - LA.....	10
RH Flex - 18" O.A.L Extension Kit .....	12
RH Flex - 36" O.A.L Extension Kit .....	13
<b>HD Flex Harrow</b> .....	<b>15</b>
Linkage Breakdown - LH .....	16
Tooth Bar Breakdown - LH.....	18
HD Flex - 18" O.A.L. Extension Kit .....	20
HD Flex - 36" O.A.L. Extension Kit .....	21
<b>Single Roller Harrow</b> .....	<b>23</b>
Single Roller Arm Breakdown .....	24
Roller Breakdown .....	26
<b>Double Roller Harrow</b> .....	<b>29</b>
Double Roller Arm Breakdown.....	30
<b>One Bar</b> .....	<b>32</b>
One Bar Arm Breakdown .....	33
One Bar Tool Bar Breakdown .....	34
<b>Spring Tine Harrow</b> .....	<b>36</b>
Arm Breakdown - 3BS & 4BS .....	37
Parallel - Rail Breakdown .....	38
Tine Bar Breakdown - FR .....	40
<b>3 Bar Tine Single Roller Harrow</b> .....	<b>41</b>
STR Roller Arm.....	42
STR Mount Arm .....	44
<b>Jumbo One Bar Harrow</b> .....	<b>45</b>
Jumbo One Bar Arm Breakdown .....	46
Jumbo Tool Bar Breakdown .....	48
<b>One Bar Harrow Single Roller Combination</b> .....	<b>50</b>
One Bar Combination Mount Arm.....	51
<b>One Bar Harrow Double Roller Combination</b> .....	<b>53</b>
<b>3BR &amp; 4BR Flex Harrow</b> .....	<b>54</b>
3BR/4BR Arm Breakdown .....	55

<b>Center Cut Ditcher</b> .....	<b>56</b>
Ditcher Ripper Breakdown.....	57
Center Cut Ditcher (Front) .....	58
Center Cut Ditcher (Back).....	60
<b>LH Offset Cut Ditcher</b> .....	<b>63</b>
LH Offset Cut Ditcher (Front).....	64
LH Offset Cut Ditcher (Back) .....	66
<b>RH Offset Cut Ditcher</b> .....	<b>69</b>
RH Offset Cut Ditcher (Front) .....	70
RH Offset Cut Ditcher (Back).....	72
<b>Rock Picker</b> .....	<b>75</b>
Rock Picker Frame .....	76
Rock Picker Hitch .....	78
Rock Picker Reel & Scoop.....	80
Rock Picker Reel .....	82
Rock Picker Rock Deflector .....	83
Rock Picker Axle.....	84
<b>Screening Bucket</b> .....	<b>85</b>
VSB Hydraulic Vibrator (700-20 & 30) .....	86
Screening Bucket.....	88

This page is intentionally left blank.

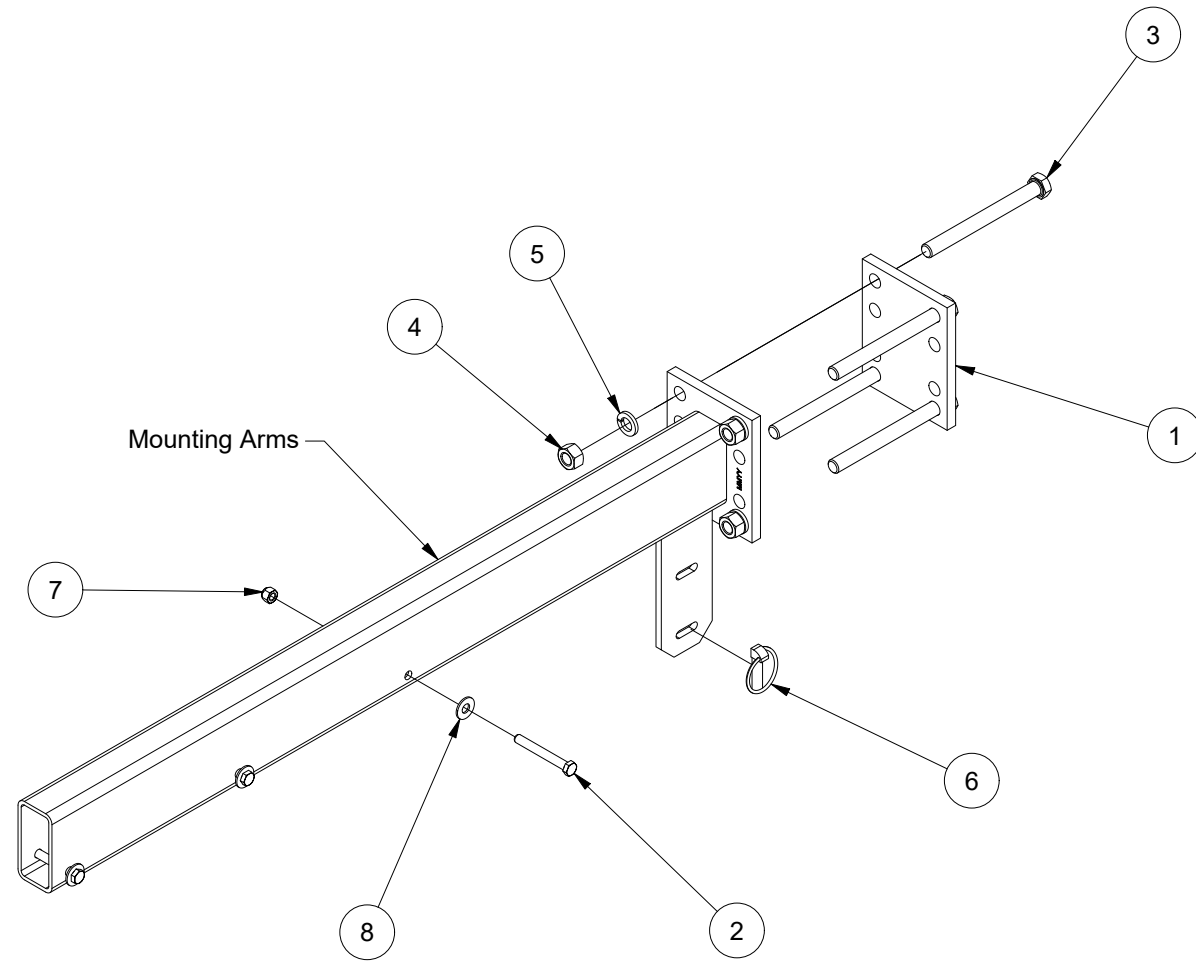
# Parts Diagram

## Flex Harrow



# Parts Diagram

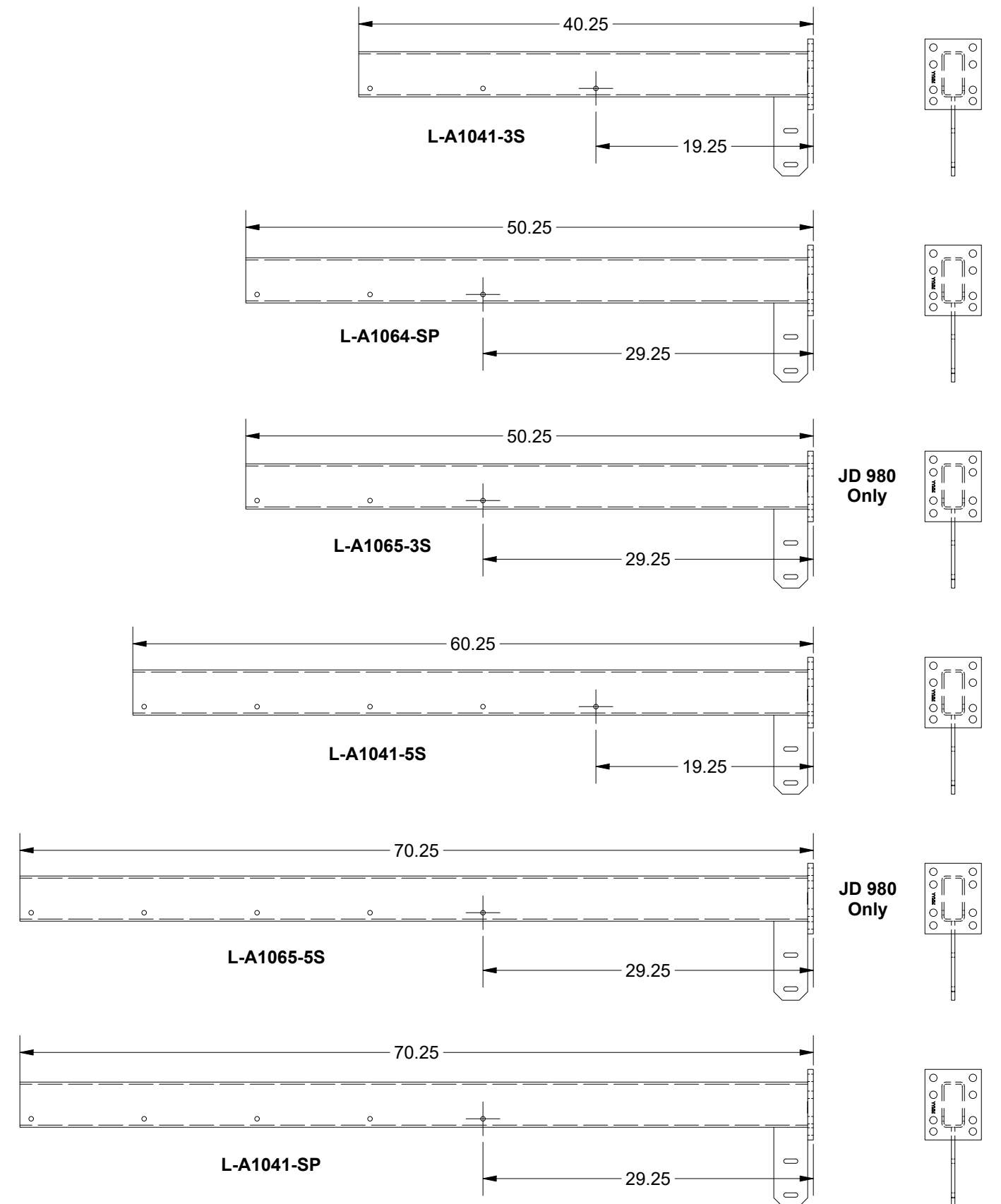
## Flex Harrow Arm Breakdown



Item	Part Number	Description
1	F-00005P	Mounting Arm Plate - 8 Hole (4" Frame)
2	HCSGR50.375-16x3ZF	3/8-16 UNC x 3 Hex Cap Screw w/ Std. Thread
3	HCSGR50.625-11x6.5ZF	5/8-11 UNC x 6.5 Hex Cap Screw w/ Std. Thread
4	HN0.625-11ZF	5/8-11 UNC Hex Nut
5	LW0.625ZF	5/8 Lock Washer
6	Lynch Pin	7/16 x 1 3/4 Lynch Pin
7	OLNGRC0.375-16ZF	3/8-16 UNC Hex Lock Nut
8	WU0.375ZF	3/8 USS Washer

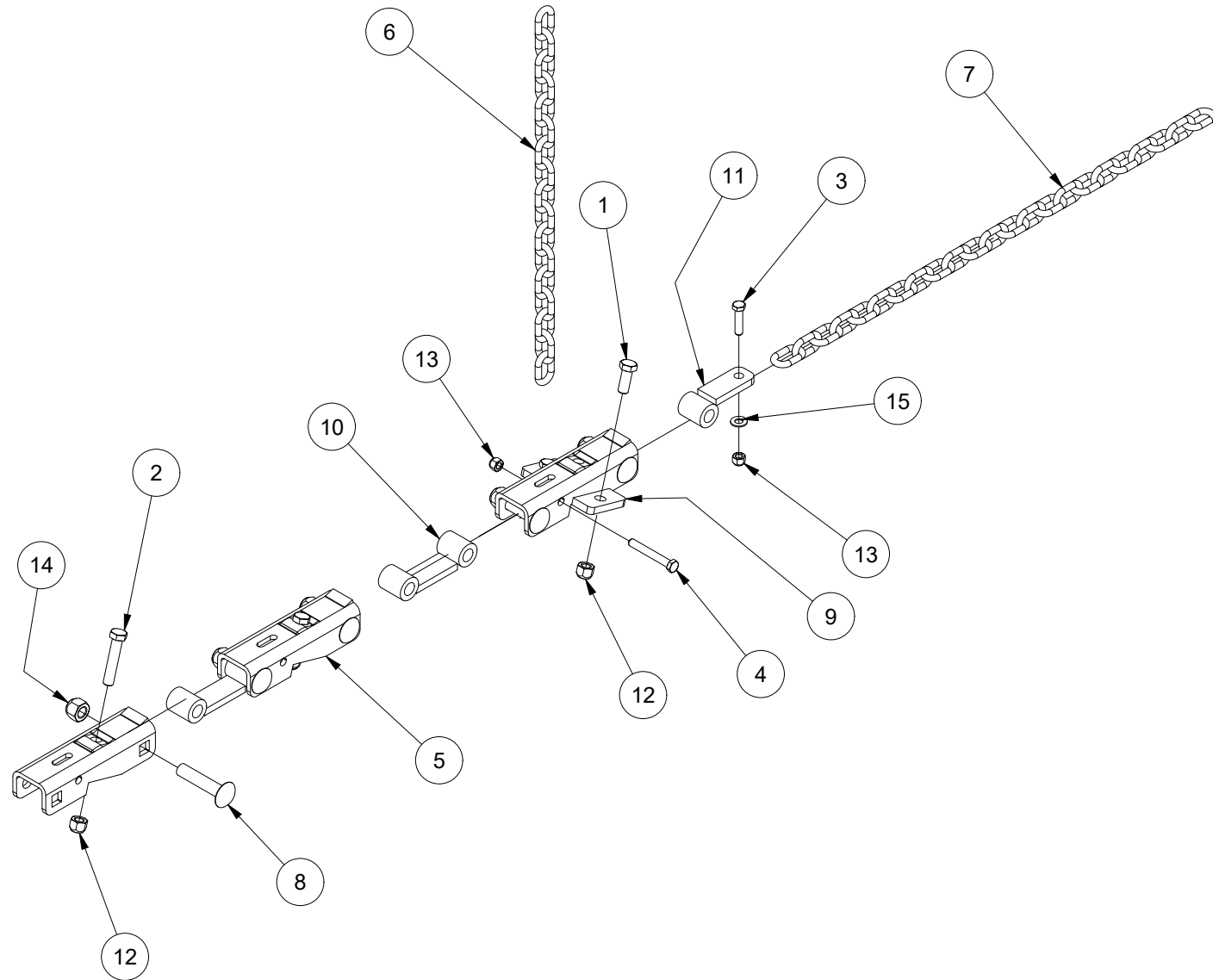
# Parts Diagram

## Flex Harrow Mounting Arms - LA & LH



# Parts Diagram

## Linkage Breakdown - LA



# Parts Description

## Linkage Breakdown - LA

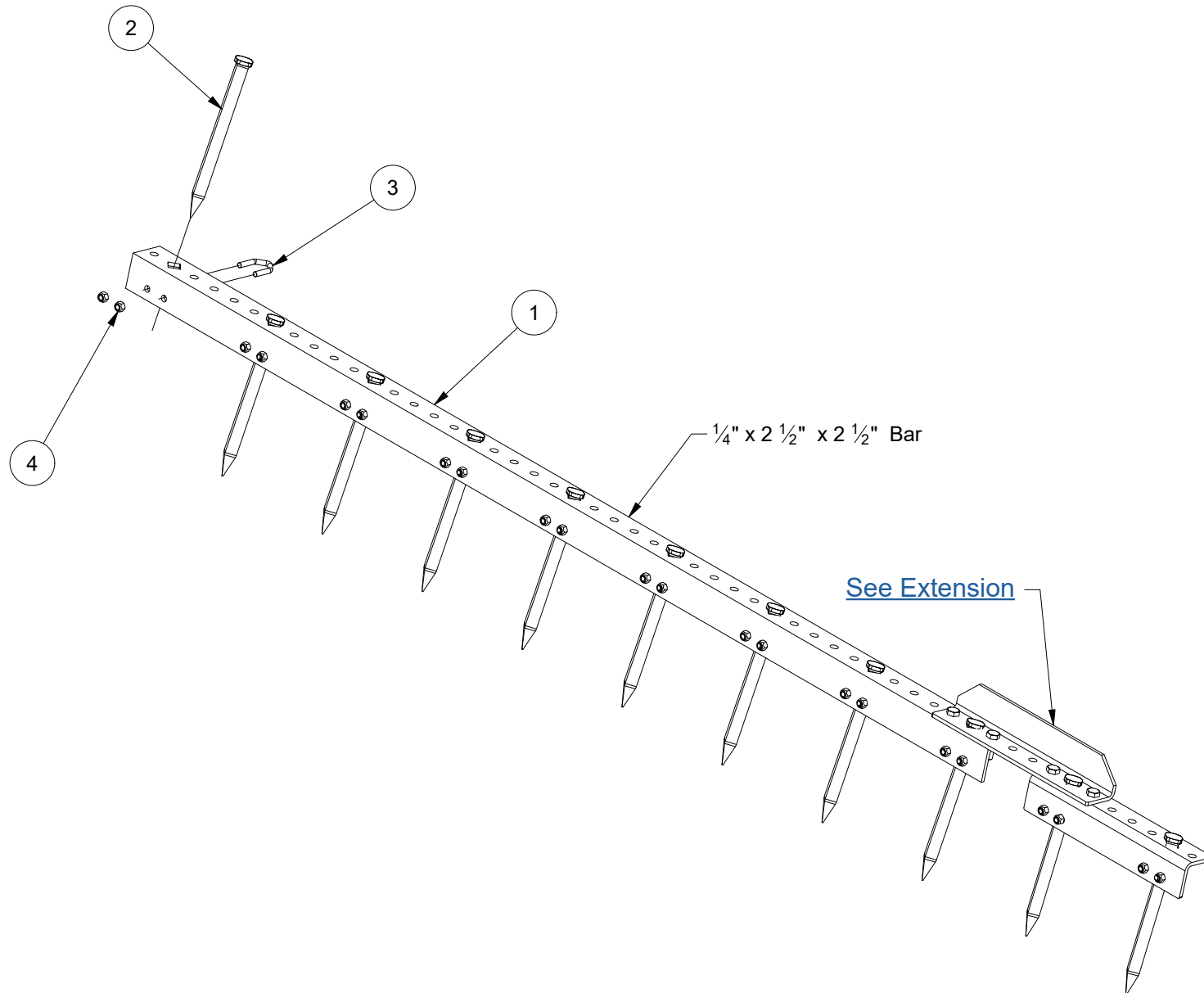
Item	Part Number	Description
1	HCSGR50.5-13x1.25ZF	1/2-13 UNC x 1.25 Hex Cap Screw w/ Std. Thread
2	HCSGR50.5-13x2.5ZF	1/2-13 UNC x 2.5 Hex Cap Screw w/ Std. Thread
3	HCSGR50.375-16x1.5ZF	3/8-16 UNC x 1.5 Hex Cap Screw w/ Std. Thread
4	HCSGR50.375-16x2.75ZF	3/8-16 UNC x 2.75 Hex Cap Screw w/ Std. Thread
5	L-A0039	Channel Bracket
8	L-A0083	5/8 Carriage Bolt
9	L-A1038	Channel Bracket Weldment
10	L-A1049	Pull Link Weldment
11	L-A1050	Chain Pull Weldment
12	OLNGRC0.5-13ZF	1/2-13 UNC Hex Lock Nut
13	OLNGRC0.375-16ZF	3/8-16 UNC Hex Lock Nut
14	OLNGRC0.625-11ZF	5/8-11 UNC Hex Lock Nut
15	WS0.375ZF	3/8 SAE Washer

### Chains

Item	Part Number	Description
6	L-A0058	Lift Chain - 5/16" Proof Coil Chain - 17 Link - F.C.
	L-A0059	Lift Chain - 5/16" Proof Coil Chain - 23 Link - Disk
	L-A0070	Lift Chain - 5/16" Proof Coil Chain - 31 Link
7	L-A0059	Pull Chain - 5/16" Proof Coil Chain - 23 Link
	L-A0070	Pull Chain - 5/16" Proof Coil Chain - 31 Link
	L-A0073	Pull Chain - 5/16" Proof Coil Chain - 51 Link
N/A		Long Link 7/0 use L-A0059 Chain

# Parts Diagram

## Tooth Bar Breakdown - LA



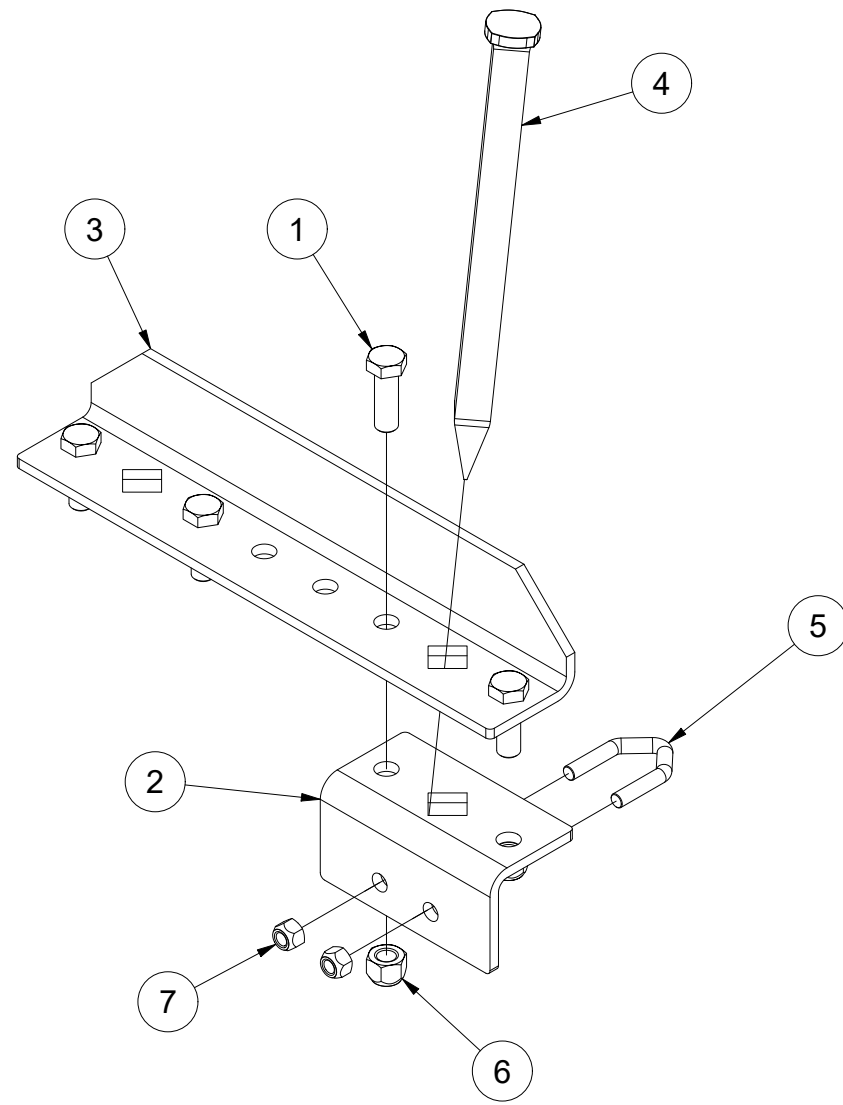
# Parts Description

## Tooth Bar Breakdown - LA

Item	Part Number	Description
1	L-A0003	3'6" Tooth Bar
	L-A0004	4'3" Tooth Bar
	L-A0005	5' Tooth Bar
	L-A0007	5'9" Tooth Bar
	L-A0006	6'6" Tooth Bar
	L-A0010	7'3" Tooth Bar
	L-A0008	8' Tooth Bar
	L-A0014	8'9" Tooth Bar
	L-A0009	9'6" Tooth Bar
	L-A0015	10'3" Tooth Bar
	L-A0011	11' Tooth Bar
	L-A0013	11'9" Tooth Bar
L-A0012	12' Tooth Bar	
2	L-A0060	11" Spike Tooth
3	L-A0066	"V" Shaped U-Bolt
4	OLNGRC0.375-16ZF	3/8-16 UNC Hex Lock Nut

# Parts Diagram

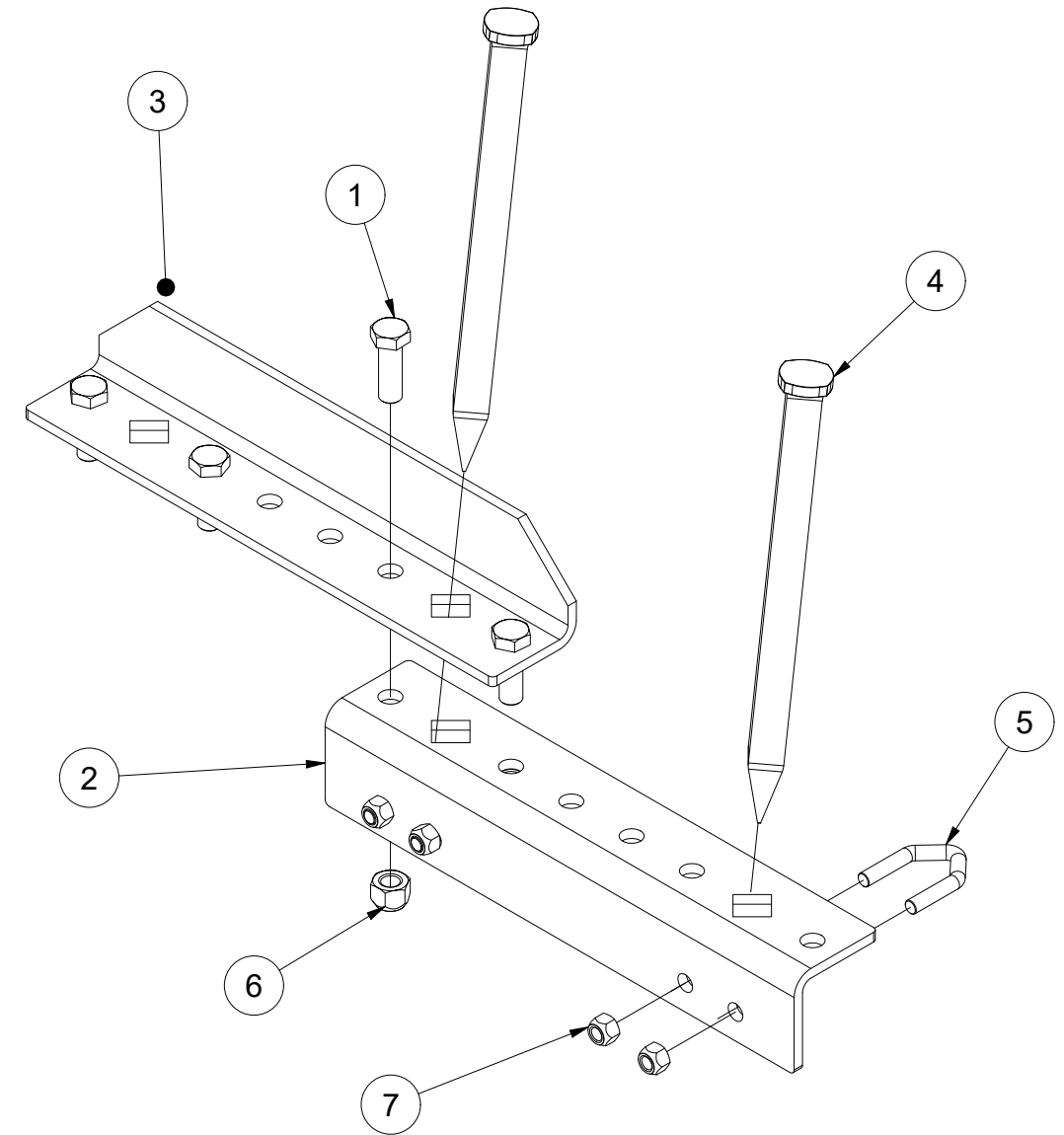
## RH Flex - 18" O.A.L Extension Kit



Item	Part Number	Description
1	HCSGR50.5-13x1.5ZF	1/2-13 UNC x 1.5 Hex Cap Screw w/ Std. Thread
2	L-A0018	18" O.A.L. Ext.
3	L-A0055	Connecting Bracket
4	L-A0060	11" Spike Tooth
5	L-A0066	"V" Shaped U-Bolt
6	OLNGRC0.5-13ZF	1/2-13 UNC Hex Lock Nut
7	OLNGRC0.375-16ZF	3/8-16 UNC Hex Lock Nut

# Parts Diagram

## RH Flex - 36" O.A.L Extension Kit



Item	Part Number	Description
1	HCSGR50.5-13x1.5ZF	1/2-13 UNC x 1.5 Hex Cap Screw w/ Std. Thread
2	L-A0036	36" O.A.L. Ext.
3	L-A0055	Connecting Bracket
4	L-A0060	11" Spike Tooth
5	L-A0066	"V" Shaped U-Bolt
6	OLNGRC0.5-13ZF	1/2-13 UNC Hex Lock Nut
7	OLNGRC0.375-16ZF	3/8-16 UNC Hex Lock Nut

**Bolt - On 18" & 36" Extension Kit**  
**Optional Kit - Required to Extend an Existing Harrow**

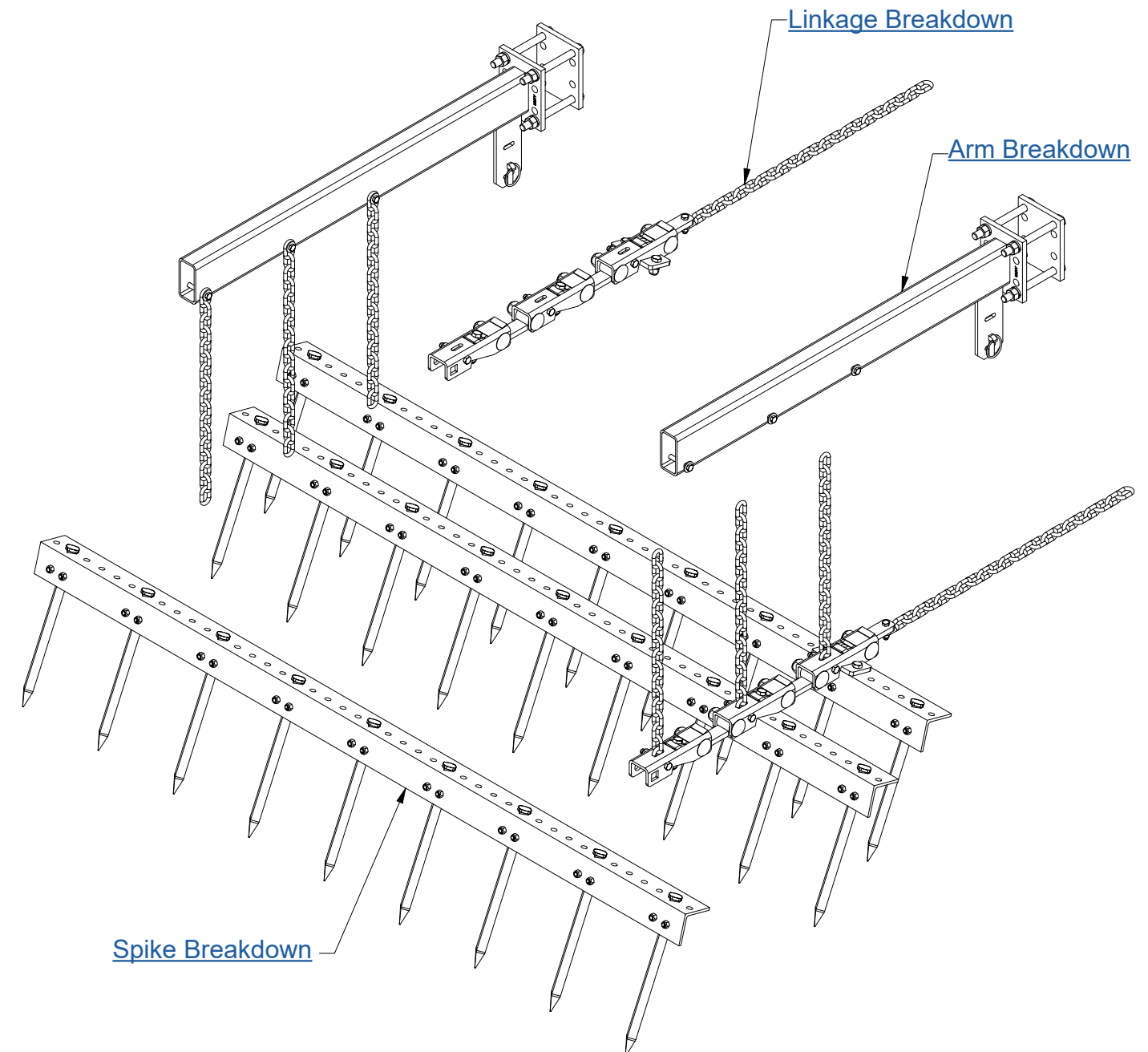
The extension is added when standard size harrow sections will not appropriately cover the cut of the implement. The extension comes in 18" or 36" lengths. The 18" extension provides an additional 9" per side. The 36" extension (shown) provides an additional 18" per side. The extension bolts to any existing 3, 4 or 5 bar Angle Iron Flexible Harrow.

**Extension Kit (Rigid):** Remove the outside tooth from one end of each bar. Use (2) 1/2" x 1 1/2" hex head bolts with locknuts to attach the L-A0055 connecting bracket to the end of each bar as shown. Again use (2) 1/2" x 1 1/2" hex head bolts with locknuts to attach extension to each connecting bracket as shown. Finally, replace the teeth and tighten them into place using the special "V" shaped U-bolt.

**Note:** Also can be used to connect (2) complete sections together if mounting arm confliction arises when attaching complete harrow kit to your machine.

# Parts Diagram

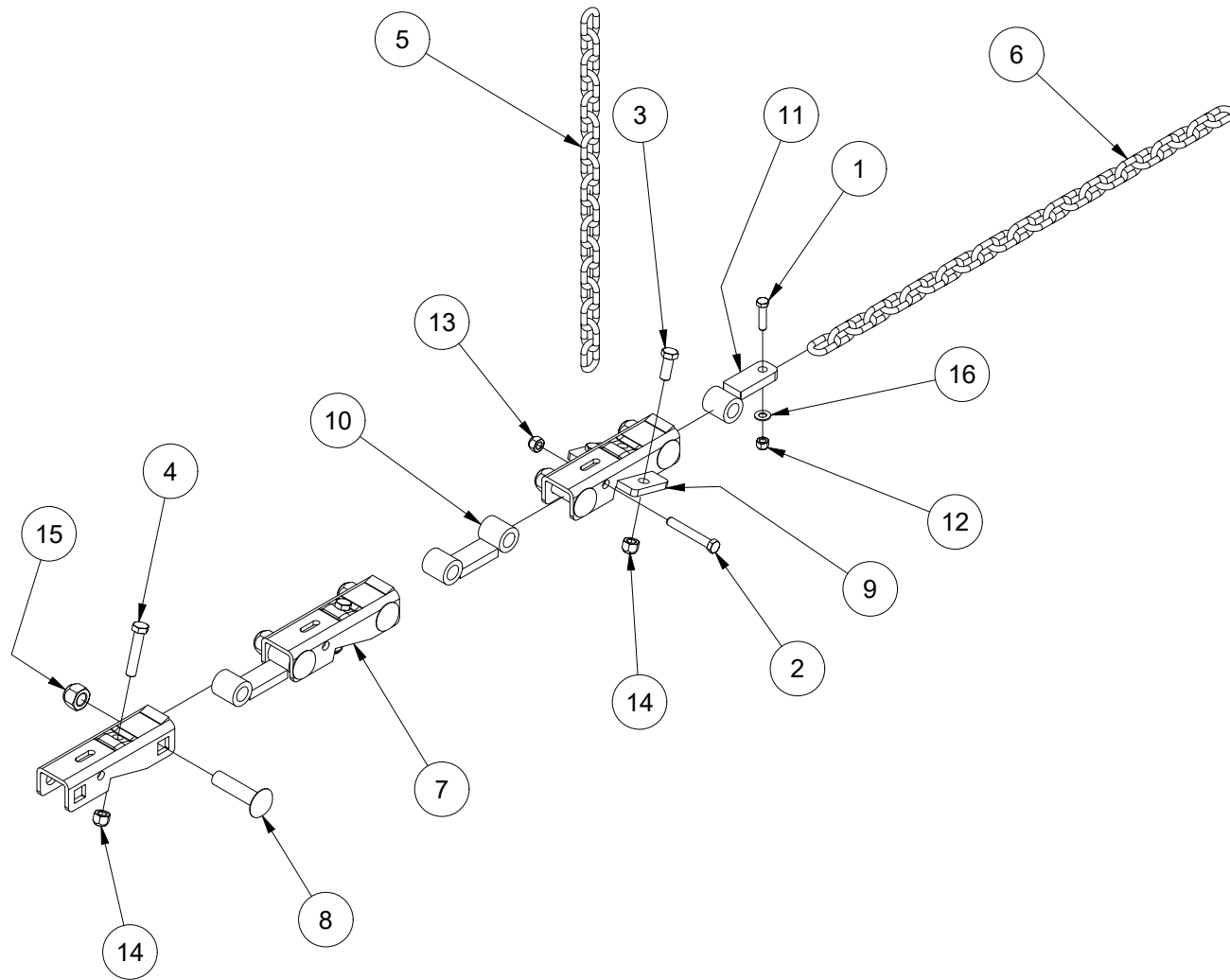
## HD Flex Harrow





# Parts Diagram

## Linkage Breakdown - LH



# Parts Description

## Linkage Breakdown - LH

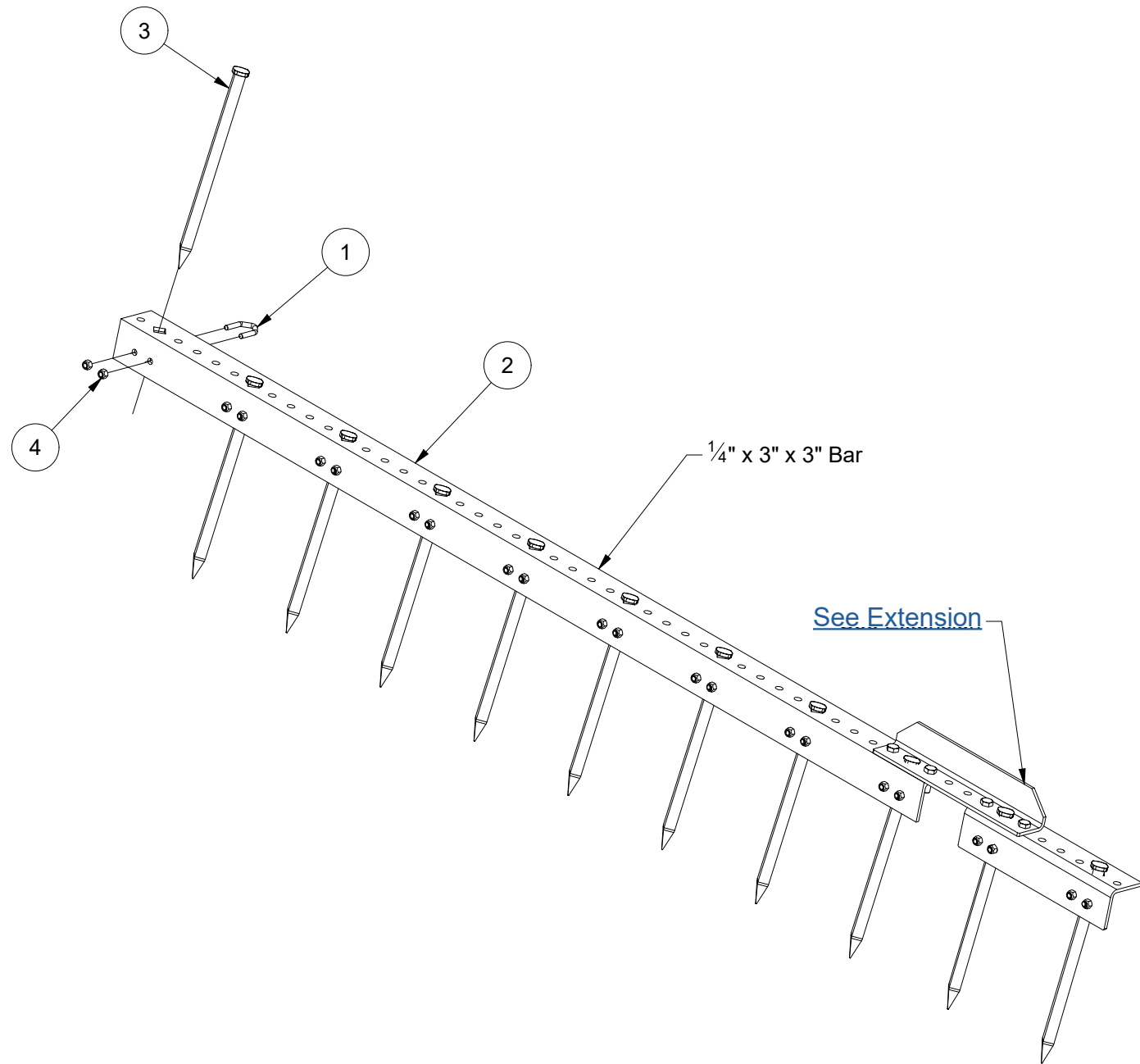
Item	Part Number	Description
1	HCSGR50.375-16x1.5ZF	3/8-16 UNC x 1.5 Hex Cap Screw w/ Std. Thread
2	HCSGR50.4375-14x3ZF	7/16-14 UNC x 3 Hex Cap Srew w/ Std. Thread
3	HCSGR50.5-13x1.25ZF	1/2-13 UNC x 1.25 Hex Cap Screw w/ Std. Thread
4	HCSGR50.5-13x2.5ZF	1/2-13 UNC x 2.5 Hex Cap Screw w/ Std. Thread
7	L-H0039	HD Channel Bracket
8	L-H0083	3/4 Carriage bolt
9	L-H1038	HD Channel Bracket Weldment
10	L-H1049	HD Pull Link Weldment
11	L-H1050	HD Chain Pull Weldment
12	OLNGRC0.375-16ZF	3/8-16 UNC Hex Lock Nut
13	OLNGRC0.4375-14ZF	7/16-14 UNC Hex Lock Nut
14	OLNGRC0.5-13ZF	1/2-13 UNC Hex Lock Nut
15	OLNGRC0.75-10ZF	3/4-10 UNC Hex Lock Nut
16	WS0.375ZF	3/8 SAE Washer

### Chains

Item	Part Number	Description
5	L-A0058	Lift Chain - 5/16" Proof Coil Chain - 17 Link
	L-A0059	Lift Chain - 5/16" Proof Coil Chain - 23 Link
	L-A0070	Lift Chain - 5/16" Proof Coil Chain - 31 Link
6	L-A0059	Pull Chain - 5/16" Proof Coil Chain - 23 Link
	L-A0070	Pull Chain - 5/16" Proof Coil Chain - 31 Link
	L-A0073	Pull Chain - 5/16" Proof Coil Chain - 51 Link
NA		Long Link 7/0 use L-A0059 Chain

# Parts Diagram

## Tooth Bar Breakdown - LH



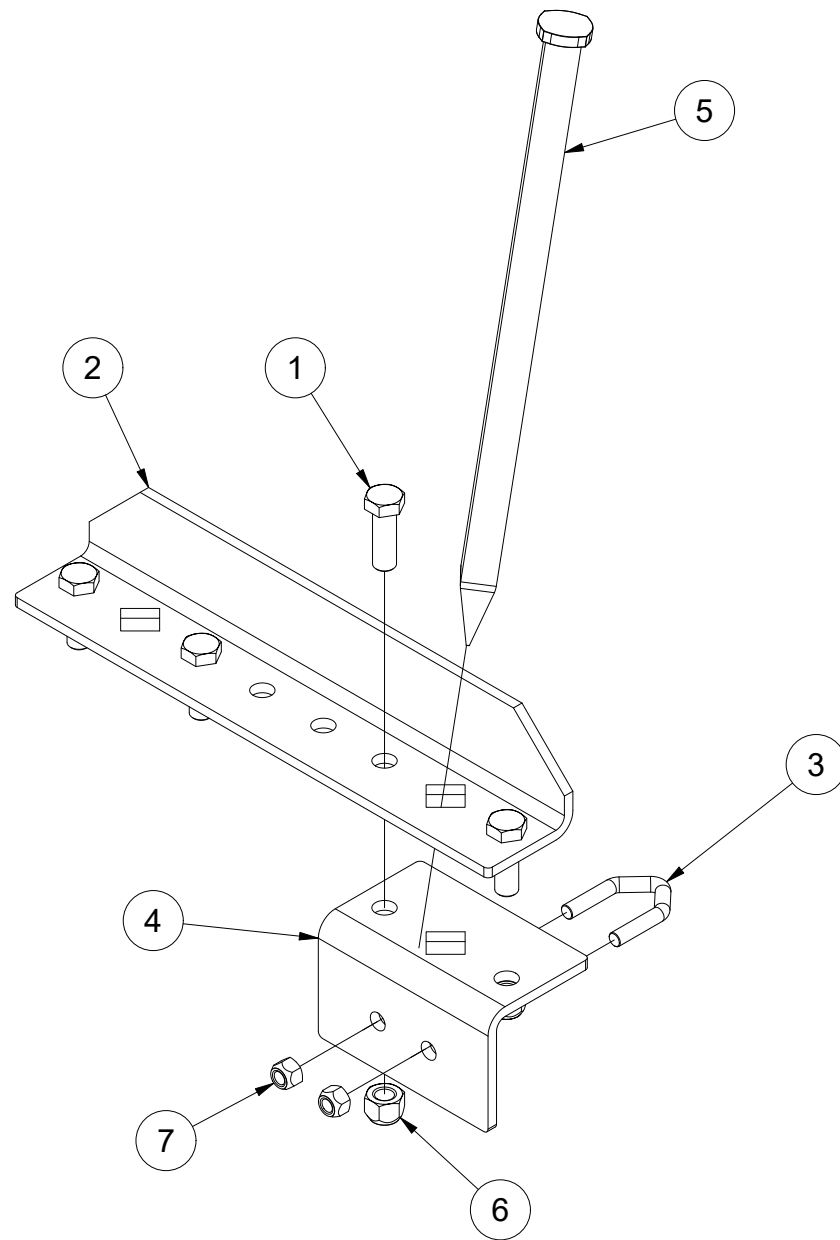
# Parts Description

## Tooth Bar Breakdown - LH

Item	Part Number	Description
1	L-A0066	"V" Shaped U-Bolt
2	L-H0003	3'6" HD Tooth Bar
	L-H0005	5' HD Tooth Bar
	L-H0006	6'6" HD Tooth Bar
	L-H0008	8' HD Tooth Bar
	L-H0010	7'3" HD Tooth Bar
	L-H0014	8'9" HD Tooth Bar
3	L-H0060	15" Spike Tooth
4	OLNGRC0.375-16ZF	3/8-16 UNC Hex Lock Nut

# Parts Diagram

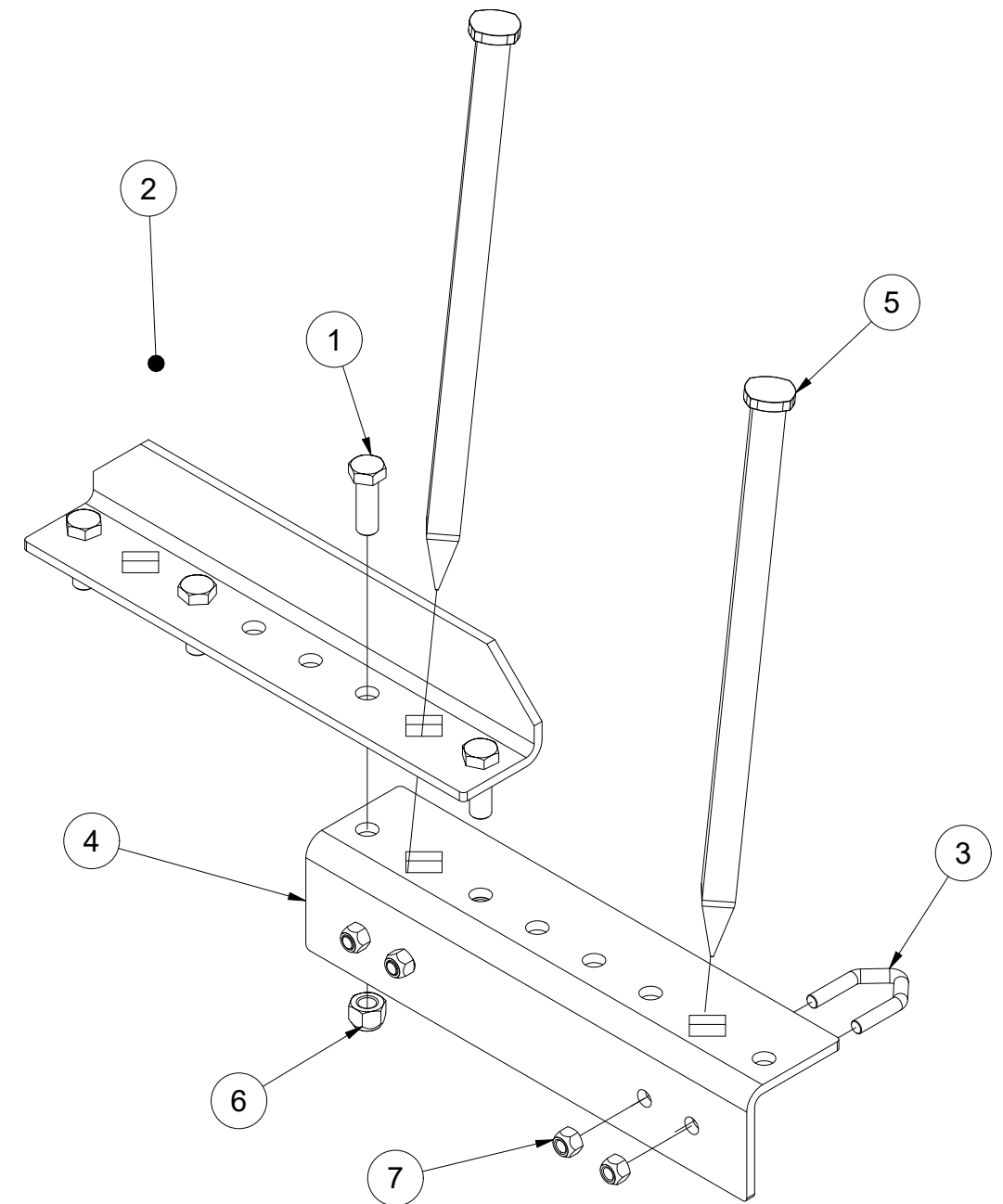
## HD Flex - 18" O.A.L. Extension Kit



Item	Part Number	Description
1	HCSGR50.5-13x1.5ZF	1/2-13 UNC x 1.5 Hex Cap Screw w/ Std. Thread
2	L-A0055	Connecting Bracket
3	L-A0066	"V" Shaped U-Bolt
4	L-H0018	HD 18" O.A.L. Ext.
5	L-H0060	15" Spike Tooth
6	OLNGRC0.5-13ZF	1/2-13 UNC Hex Lock Nut
7	OLNGRC0.375-16ZF	3/8-16 UNC Hex Lock Nut

# Parts Diagram

## HD Flex - 36" O.A.L. Extension Kit

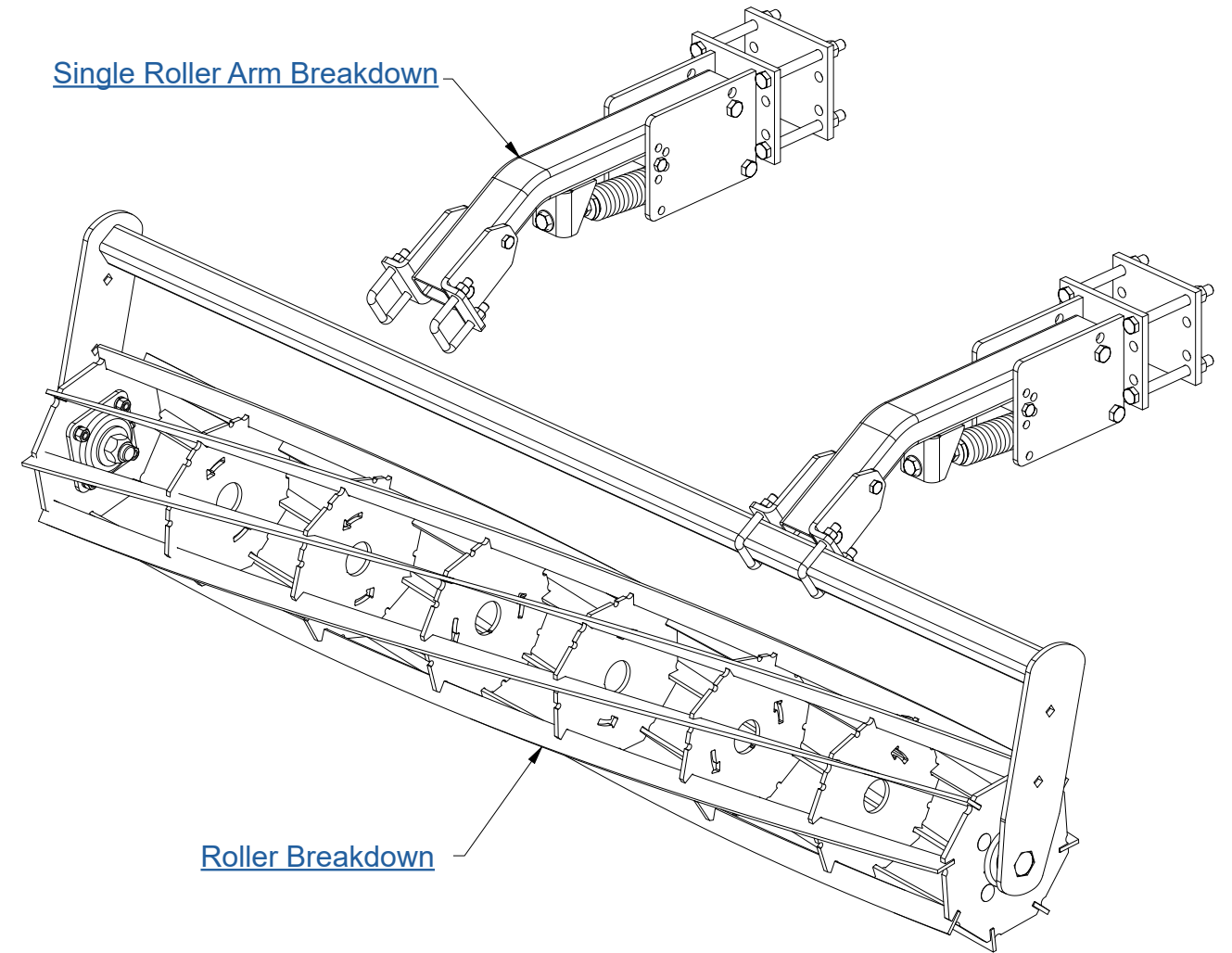


Item	Part Number	Description
1	HCSGR50.5-13x1.5ZF	1/2-13 UNC x 1.5 Hex Cap Screw w/ Std. Thread
2	L-A0055	Connecting Bracket
3	L-A0066	"V" Shaped U-Bolt
4	L-H0036	HD 36" O.A.L. Ext.
5	L-H0060	15" Spike Tooth
6	OLNGRC0.5-13ZF	1/2-13 UNC Hex Lock Nut
7	OLNGRC0.375-16ZF	3/8-16 UNC Hex Lock Nut

This page is intentionally left blank.

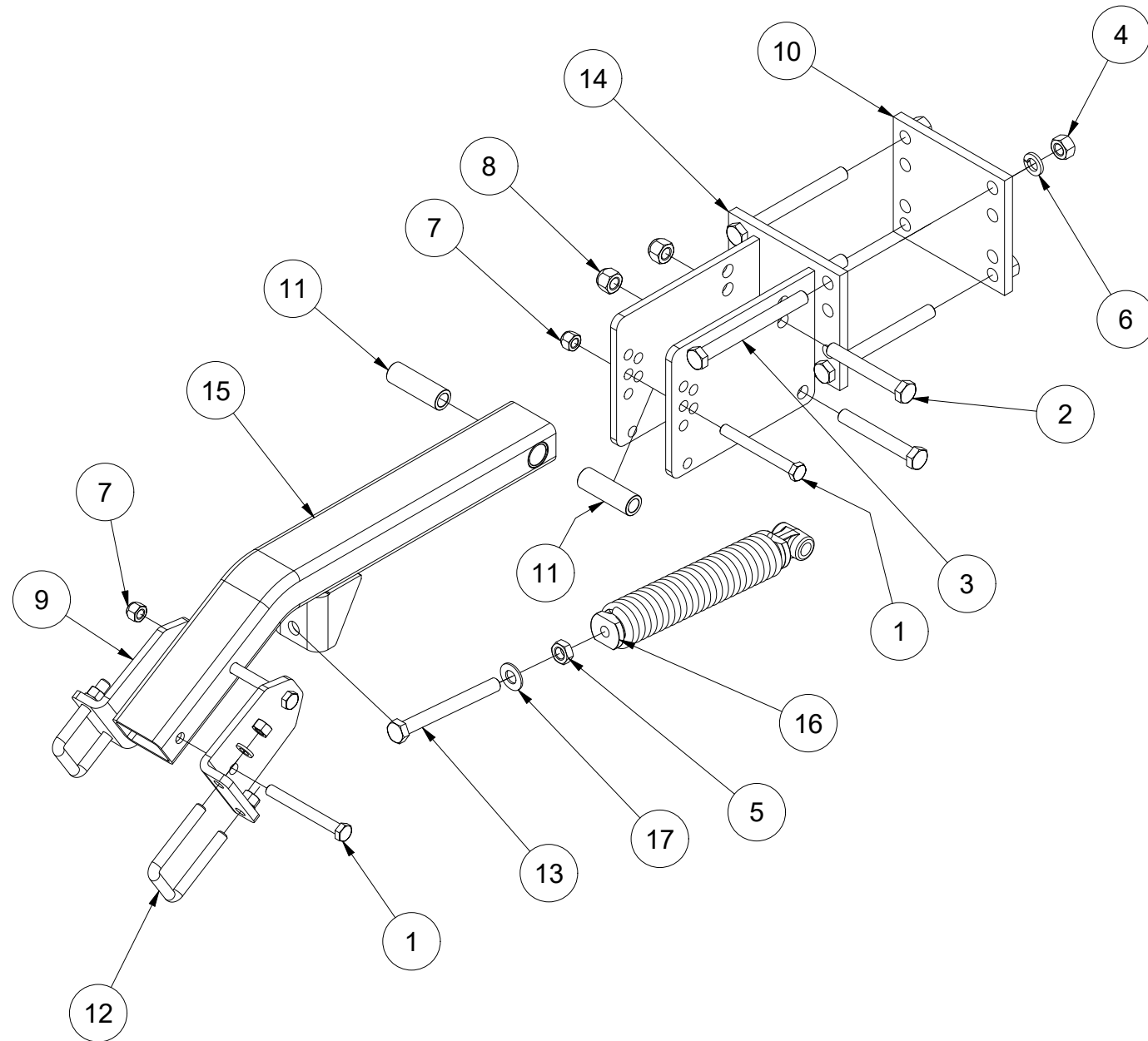
# Parts Diagram

## Single Roller Harrow



# Parts Diagram

## Single Roller Arm Breakdown



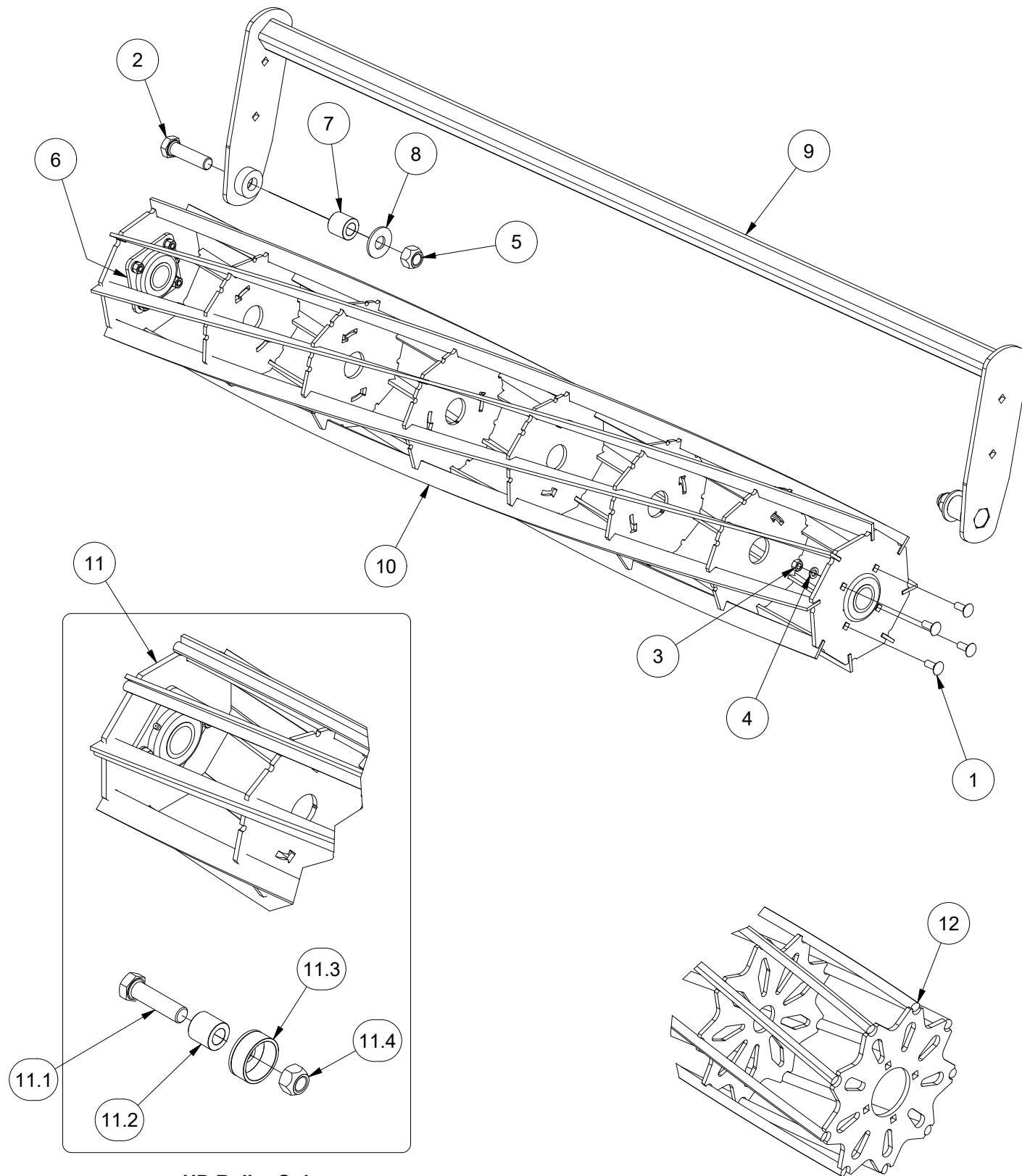
# Parts Description

## Single Roller Arm Breakdown

Item	Part Number	Description
1	HCSGR50.5-13x4.5ZF	1/2-13 UNC x 4.5 Hex Cap Screw w/ Std. Thread
2	HCSGR50.625-11x4.5ZF	5/8-11 UNC x 4.5 Hex Cap Screw w/ Std. Thread
3	HCSGR50.625-11x6.5ZFSPEC	5/8-11 UNC x 6.5 Hex Cap Screw w/ 3 1/2 Thread
4	HN0.625-11ZF	5/8-11 UNC Hex Nut
5	JN0.625-11ZF	Jam Nut 5/8-11 UNC Zinc
6	LW0.625ZF	5/8 Lock Washer
7	OLNGRC0.5-13ZF	1/2-13 UNC Hex Lock Nut
8	OLNGRC0.625-11ZF	5/8-11 UNC Hex Lock Nut
9	RB-0013	Gang Bracket
10	RB-0018	Pivot Bracket Plate
11	RB-0019	Spacer
12	RB-0025-AS	1/2"-13 X 2 X 3 1/2 U-Bolt w/ Lockwasher & Nut
13	RB-0046	5/8-11 UNC x 6 Hex Cap Screw w/ Full Thread
14	RB-1002	Pivot Bracket Weldment
15	RB-1003	Single Roller Weldment
16	RB-1048	Roller Arm Spring Assy
17	WS0.625ZF	5/8 SAE Washer

# Parts Diagram

## Roller Breakdown



HD Roller Only

# Parts Description

## Roller Layout

Item	Part Number	Description
1	CBGR50.5-13x1.25ZF	1/2-13 UNC x 1.25 Carriage Bolt
2	HCSGR51-8x3.75ZF	1-8 UNC x 4 Hex Cap Screw w/ Std. Thread
3	HN0.5-13ZF	1/2-13 UNC Hex Nut
4	LW0.5ZF	1/2 Lock Washer
5	OLNGRC1-8ZF	1-8 UNC Hex Lock Nut
6	RB-0007	Flanged Disk Bearing
7	RB-0009	Bearing Spacer
8	RB-0085	Bearing Spacer
9	RB-1005 RB-1021 RB-1006 RB-1022 RB-1007	3'6" Frame Assembly (44 1/4") 4'3" Frame Assembly (53 1/4") 5' Frame Assembly (62 1/4") 5'9" Frame Assembly (71 1/4") 6'6" Roller Frame Weldment (80 1/4")
10	RB-1008 RB-1017 RB-1009 RB-1018 RB-1010	3'6" Roller Weldment 4'3" Roller Weldment 5' Roller Weldment 5'9" Roller Weldment 6'6" Roller Weldment

## Heavy Duty Roller

Item	Part Number	Description
11	HDRB-1008 HDRB-1017 HDRB-1009 HDRB-1018 HDRB-1010	3'6" Flat & Round Bar Roller Weldment 4'3" Flat & Round Bar Roller Weldment 5' Flat & Round Bar Roller Weldment 5'9" Flat & Round Bar Roller Weldment 6'6" Flat & Round Bar Roller Weldment
11.1	HCSGR51-8x3.75ZF	1-8 UNC x 4 Hex Cap Screw w/ Std. Thread
11.2	RB-0009	Bearing Spacer
11.3	HDRB-1047-AS	Bearing Nut Protector Assy w/ Nut & Bolt
11.4	OLNGRC1-8ZF	1-8 UNC Hex Lock Nut

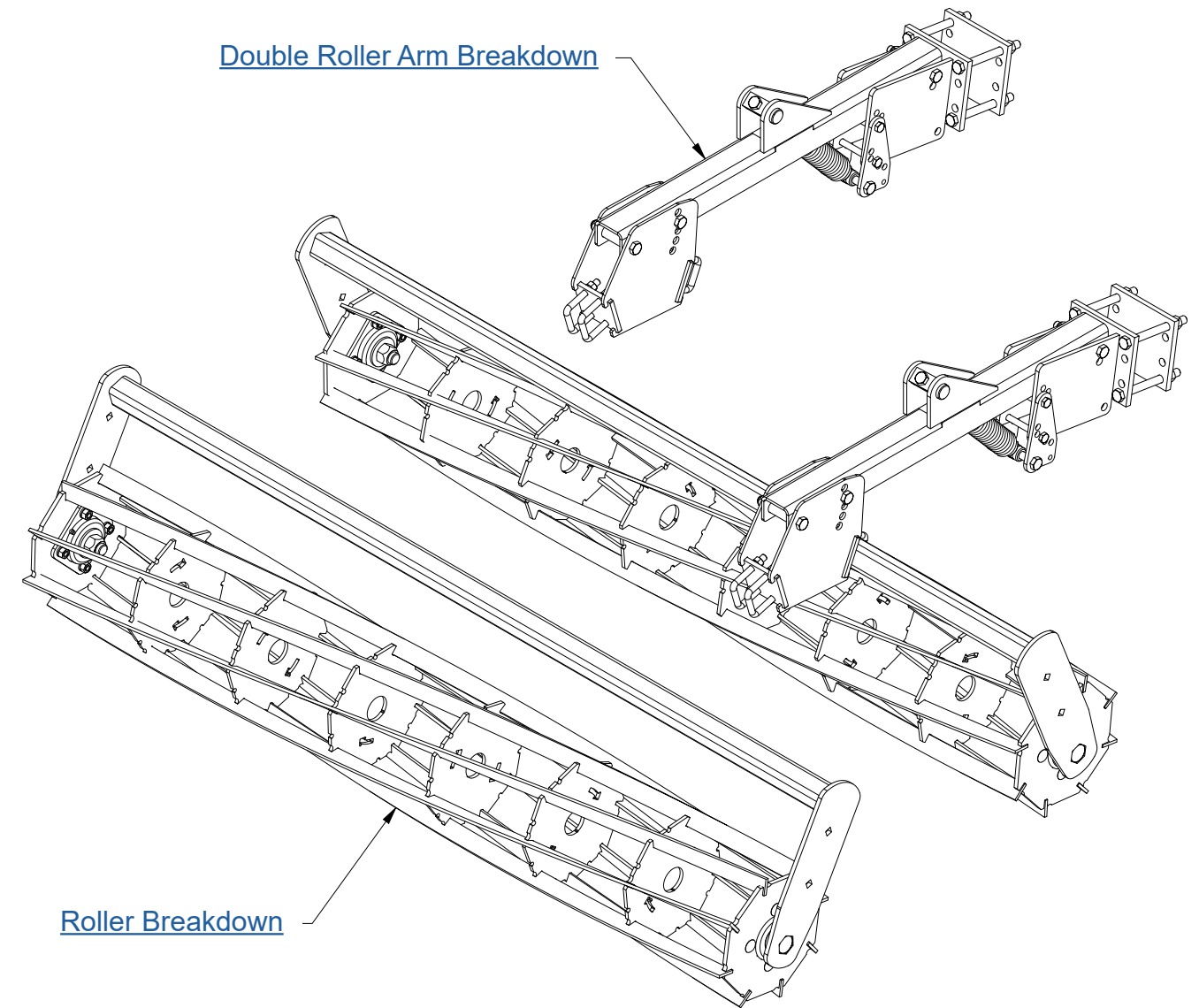
## Round Bar Roller

Item	Part Number	Description
12	RBR-1003 RBR-1004 RBR-1005 RBR-1006 RBR-1007	3'6" Round Bar Roller Weldment 4'3" Round Bar Roller Weldment 5' Round Bar Roller Weldment 6'6" Round Bar Roller Weldment 5'9" Round Bar Roller Weldment

This page is intentionally left blank.

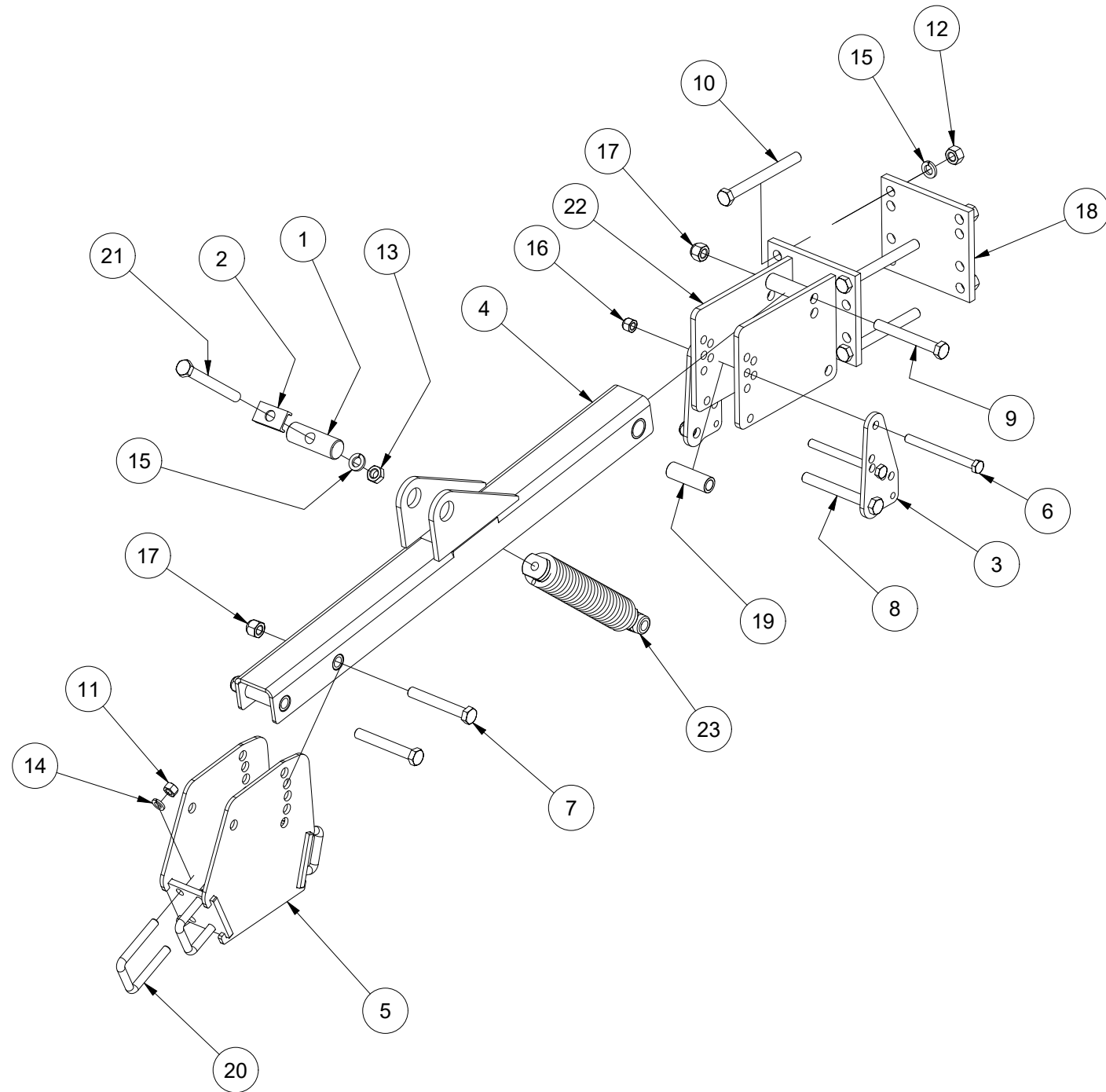
# Parts Diagram

## Double Roller Harrow



# Parts Diagram

## Double Roller Arm Breakdown



# Parts Description

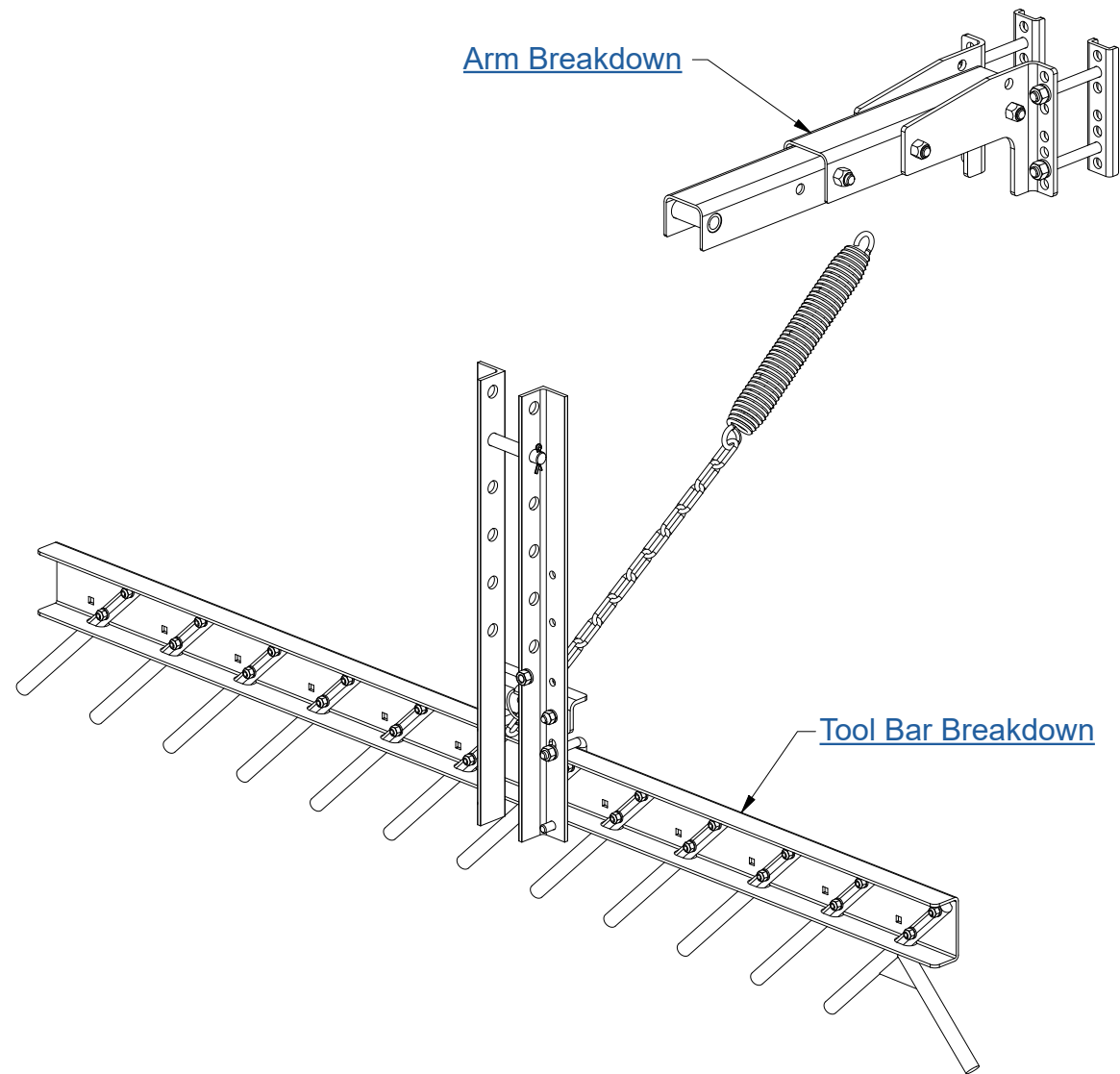
## Double Roller Arm Breakdown

Item	Part Number	Description
1	DB-0001	Pivot Pin
2	DB-0002	Pivot Pin Retainer
3	DB-0011	Angle Adjustment Ear
4	DB-1003	Double Roller Arm Weldment
5	DB-1030	Double Roller Mount Pivot Weldment
6	HCSGR50.5-13x5.5ZF	1/2-13 UNC x 5.5 Hex Cap Screw w/ Std. Thread
7	HCSGR50.625-11x4.5ZF	Hex Cap Screw 5/8-11 UNC x 4.5 w/ Std. Thread Gr.5 Zinc
8	HCSGR50.625-11x5.5ZF	5/8-11 UNC x 5.5 Hex Cap Screw w/ Std. Thread
9	HCSGR50.625-11x5ZF	5/8-11 UNC x 5 Hex Cap Screw w/ Std. Thread
10	HCSGR50.625-11x6.5ZFSP	Hex Cap Screw 5/8-11 UNC x 6.5 w/ 3 1/2 Thread Gr.5 Zinc
11	HN0.5-13ZF	1/2-13 UNC Hex Nut
12	HN0.625-11ZF	5/8-11 UNC Hex Nut
13	JN0.625-11ZF	Jam Nut 5/8-11 UNC Zinc
14	LW0.5ZF	1/2 Lock Washer
15	LW0.625ZF	5/8 Lock Washer
16	OLNGRC0.5-13ZF	1/2-13 UNC Hex Lock Nut
17	OLNGRC0.625-11ZF	5/8-11 UNC Hex Lock Nut
18	RB-0018	Pivot Bracket Plate
19	RB-0019	Spacer
20	RB-0025	1/2-13 UNC x 2 x 3.50 U-Bolt
21	RB-0046	5/8-11 UNC x 6 Hex Cap Screw w/ Full Thread
22	RB-1002	Pivot Bracket Weldment
23	RB-1048	Roller Arm Spring Assy



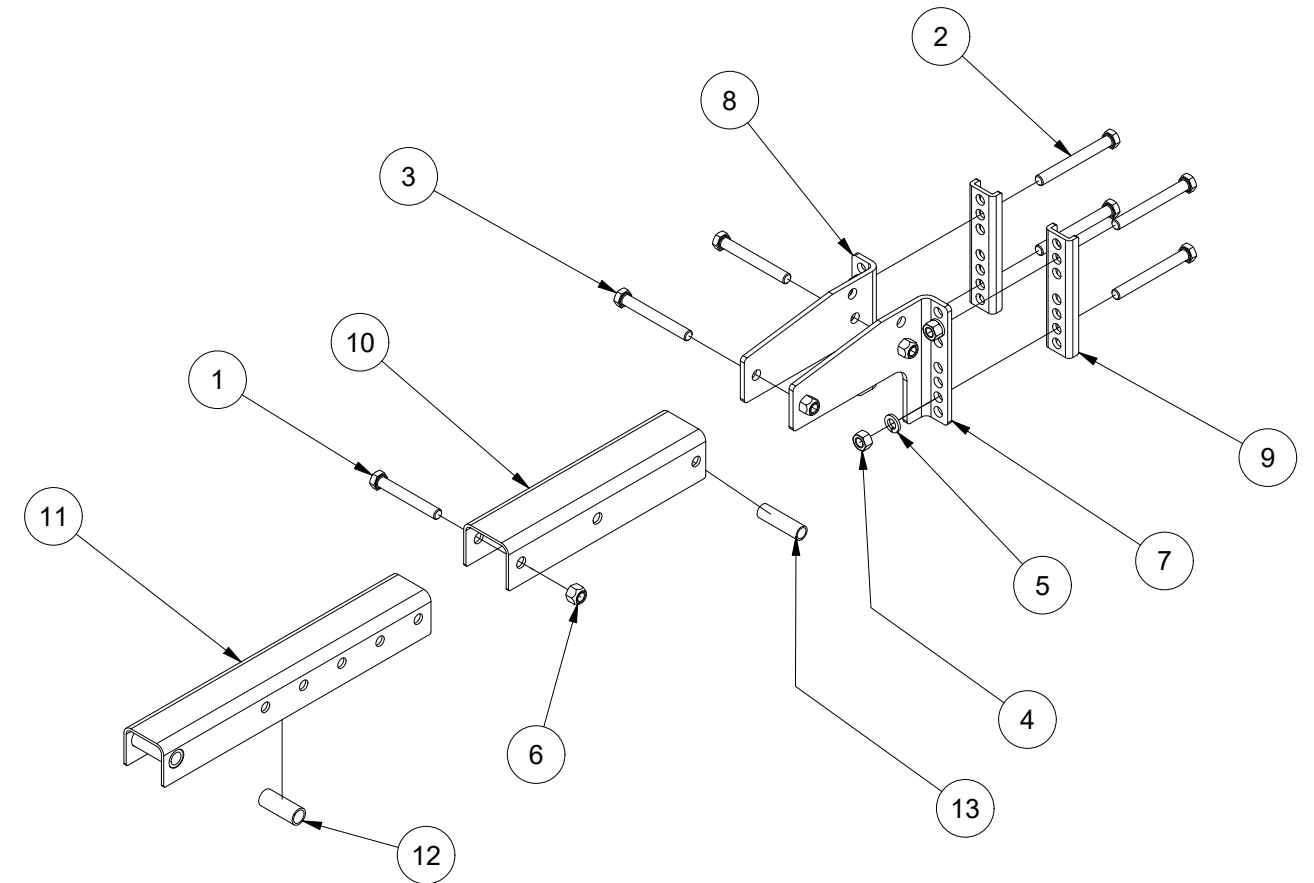
# Parts Diagram

## One Bar



# Parts Diagram

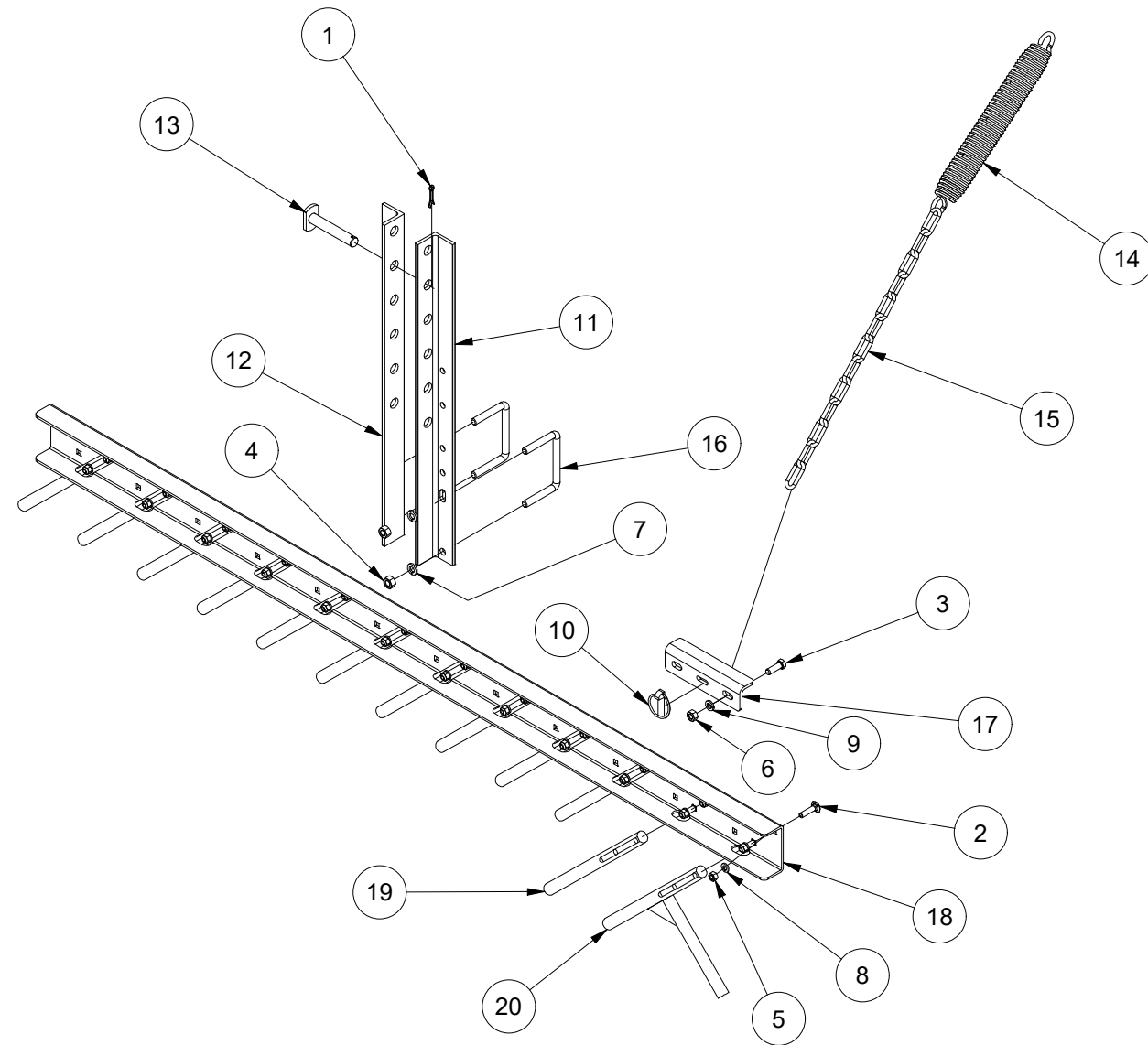
## One Bar Arm Breakdown



Item	Part Number	Description
1	HCSGR50.625-11x4.5ZF	5/8-11 UNC x 4.5 Hex Cap Screw w/ Std. Thread
2	HCSGR50.625-11x5.5ZF	5/8-11 UNC x 5.5 Hex Cap Screw w/ Std. Thread
3	HCSGR50.625-11x5ZF	5/8-11 UNC x 5 Hex Cap Screw w/ Std. Thread
4	HN0.625-11ZF	5/8-11 UNC Hex Nut
5	LW0.625ZF	5/8 Lock Washer
6	OLNGRC0.625-11ZF	5/8-11 UNC Hex Lock Nut
7	RMB-011	RH Side Mount Plate
8	RMB-011-1	LH Side Mount Plate
9	RMB-012	Back Plate
10	RMB-013	Outer Arm Sleeve
11	RMB-014	Inner Arm Sleeve Weldment
12	RMB-019-1	Inner Sleeve Spacer
13	RMB-019-3	Outer Sleeve Spacer

# Parts Diagram

## One Bar Tool Bar Breakdown



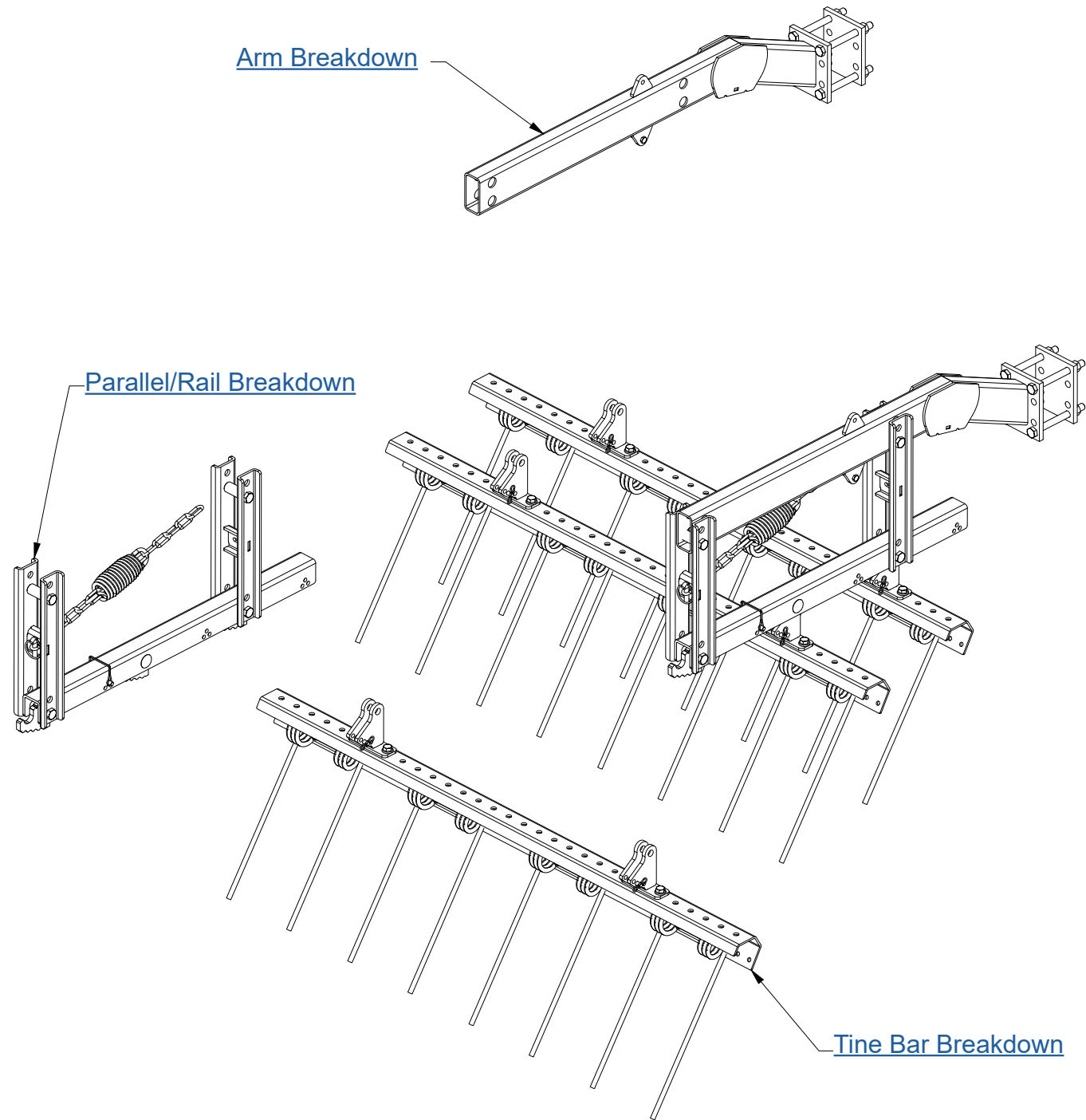
# Parts Description

## One Bar Tool Bar Breakdown

Item	Part Number	Description
1	ANSI B18.8.1 - 3/16 x 1 1/4 Extended Prong Square Cut Type	Clevis Pins and Cotter Pins - Extended Prong Square Cut Type (Inch) - Cotter Pin
2	CBGR50.375-16x1.5ZF	3/8-16 UNC x 1.5 Gr 5 Carriage Bolt
3	HCSGR50.4375-14x1.25ZF	7/16-14 UNC x 1.25 Hex Cap Screw w/ Std. Thread
4	HN0.5-13ZF	1/2-13 UNC Hex Nut
5	HN0.375-16ZF	3/8-16 UNC Hex Nut
6	HN0.4375-14ZF	7/16-14 UNC Hex Nut
7	LW0.5ZF	1/2 Lock Washer
8	LW0.375ZF	3/8 Lock Washer
9	LW0.4375ZF	7/16 Lock Washer
10	Lynch Pin	7/16 x 1 3/4 Lynch Pin
11	RMB-015	Connecting Arm R.H.
12	RMB-015-1	Connecting Arm L.H.
13	RMB-016	One Bar Pin Weldment
14	RMB-020	One Bar Spring (MBP-20)
15	RMB-021	5/0 Chain-13 Link (MBP-21)
16	RMB-022	1/2-13 UNC x 4 1/16 x 3 U-Bolt
17	RMB-024	Pull Bar
18	RTB-006	6ft Tool Bar
19	RTB-010	One Bar Tooth (TB-10)
20	RTB-020	Center Y-tooth Weldment

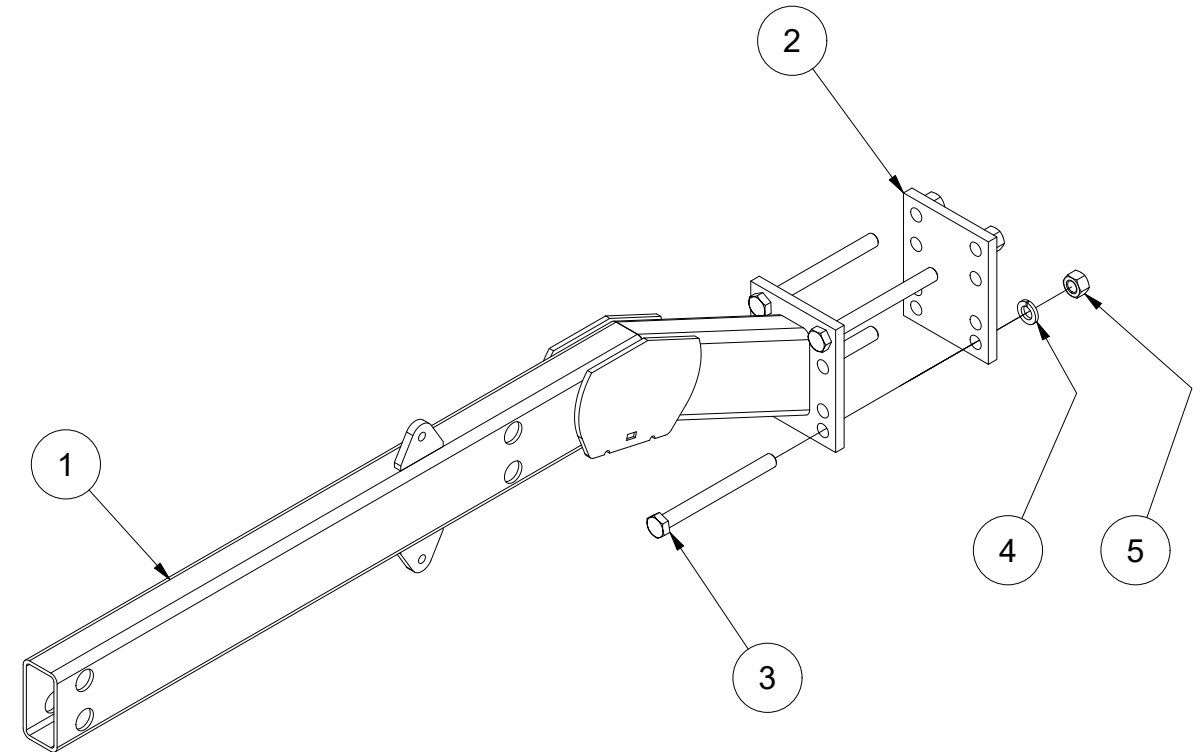
# Parts Diagram

## Spring Tine Harrow



# Parts Diagram

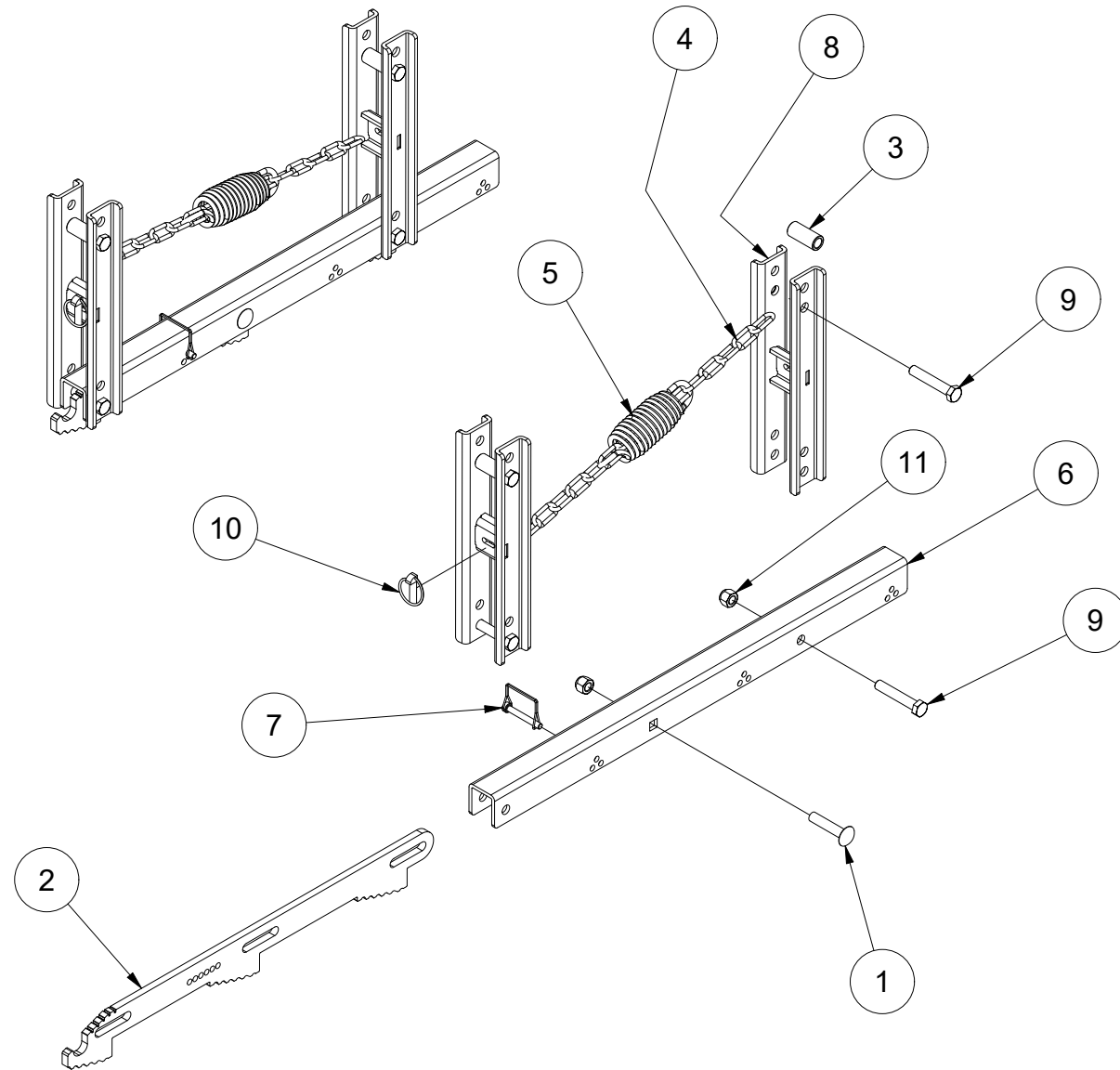
## Arm Breakdown - 3BS & 4BS



Item	Part Number	Description
1	FR-1007	3 & 4 Bar Lift Arm Weldment - Disk
	FR-1027	3 & 4 Bar Lift Weldment - F.C./Chisel
	FR-1030	3 Bar Roller Lift Arm
2	F-00005	Mounting Arm Plate
3	HCSGR50.625-11x6.5ZF	Hex Cap Screw 5/8-11 UNC x 6.5 w/ Std. Thread Gr.5 Zinc
4	LW0.625ZF	5/8 Lock Washer
5	HN0.625-11ZF	5/8-11 UNC Hex Nut

# Parts Diagram

## Parallel - Rail Breakdown



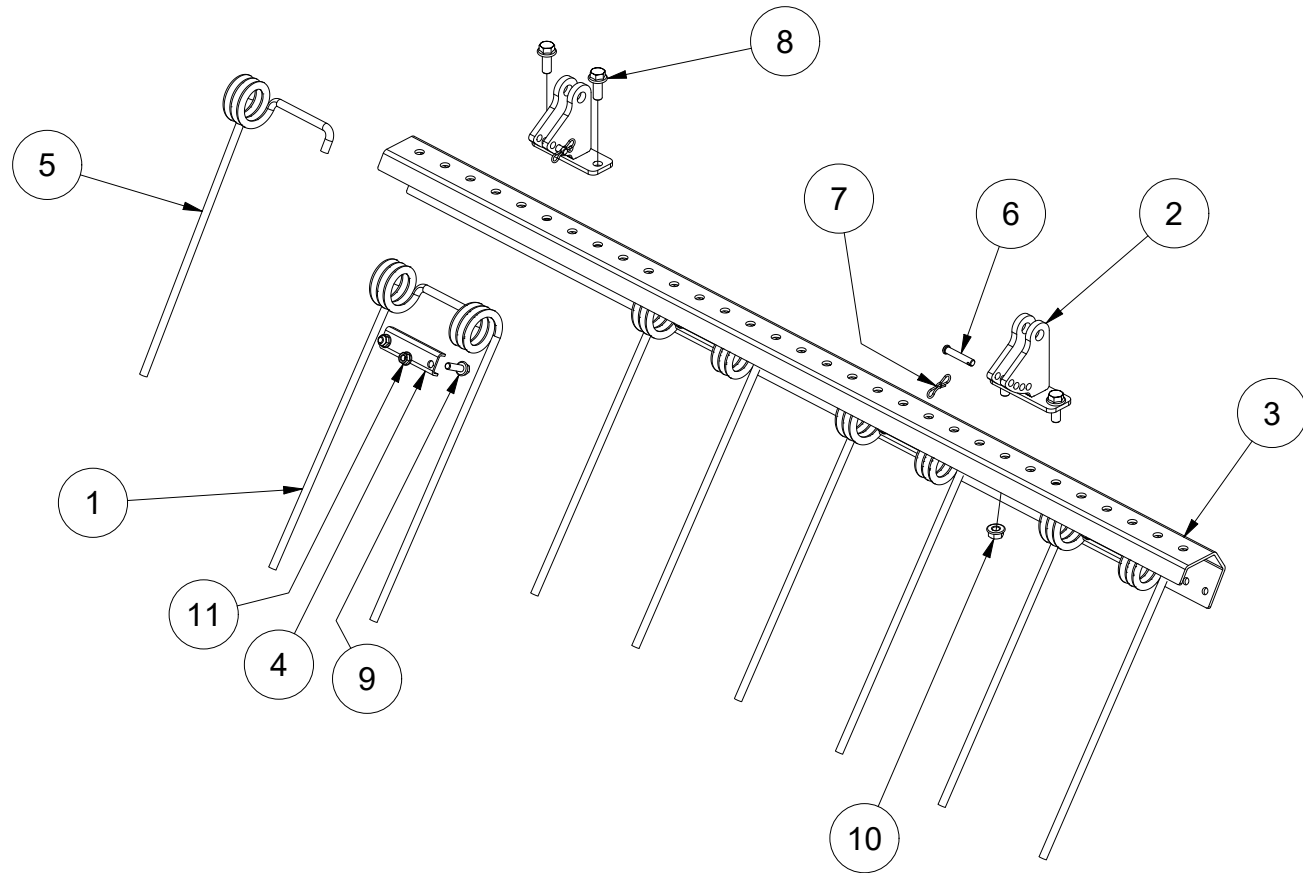
# Parts Description

## Parallel - Rail Breakdown

Item	Part Number	Description
1	CBGR500.625-11x3ZF (SN)	Carriage Bolt - Shortneck 5/8-11 UNC x 3
2	FHD-0037 FHD-0038 FHD-0039	Angle Adjustment Slide, 3 Bar Spring Tine (3BS) Angle Adjustment Slide, 3 Bar Spring Tine (STR) Angle Adjustment Slide, 4 Bar Spring Tine (4BS)
3	FR-0016	Parallel Link Bushing
4	FR-0029	5/0 Coil Chain - 9 Link
5	FR-0032	Tension Spring
6	FR-0006 FR-0039 FR-0056	4 Bar Tine Lift Rail (4BS) 3 Bar Tine Lift Rail (3BS) 3 Bar Tine - Sgl Roller Lift Rail (STR)
7	FR-0072	3/8" x 2-1/2" Zinc Square Double Wire Snapper Pin , FASTENAL Item ID: SNAP-375-2500S
8	FR-1011	Parallel Link Weldment
9	HCSGR50.625-11x3.5ZF	5/8-11 UNC x 3.5 Hex Cap Srew w/ Std. Thread
10	L-A0077	7/16 x 1 3/4 Lynch Pin
11	OLNGRC0.625-11ZF	5/8-11 UNC Hex Lock Nut

# Parts Diagram

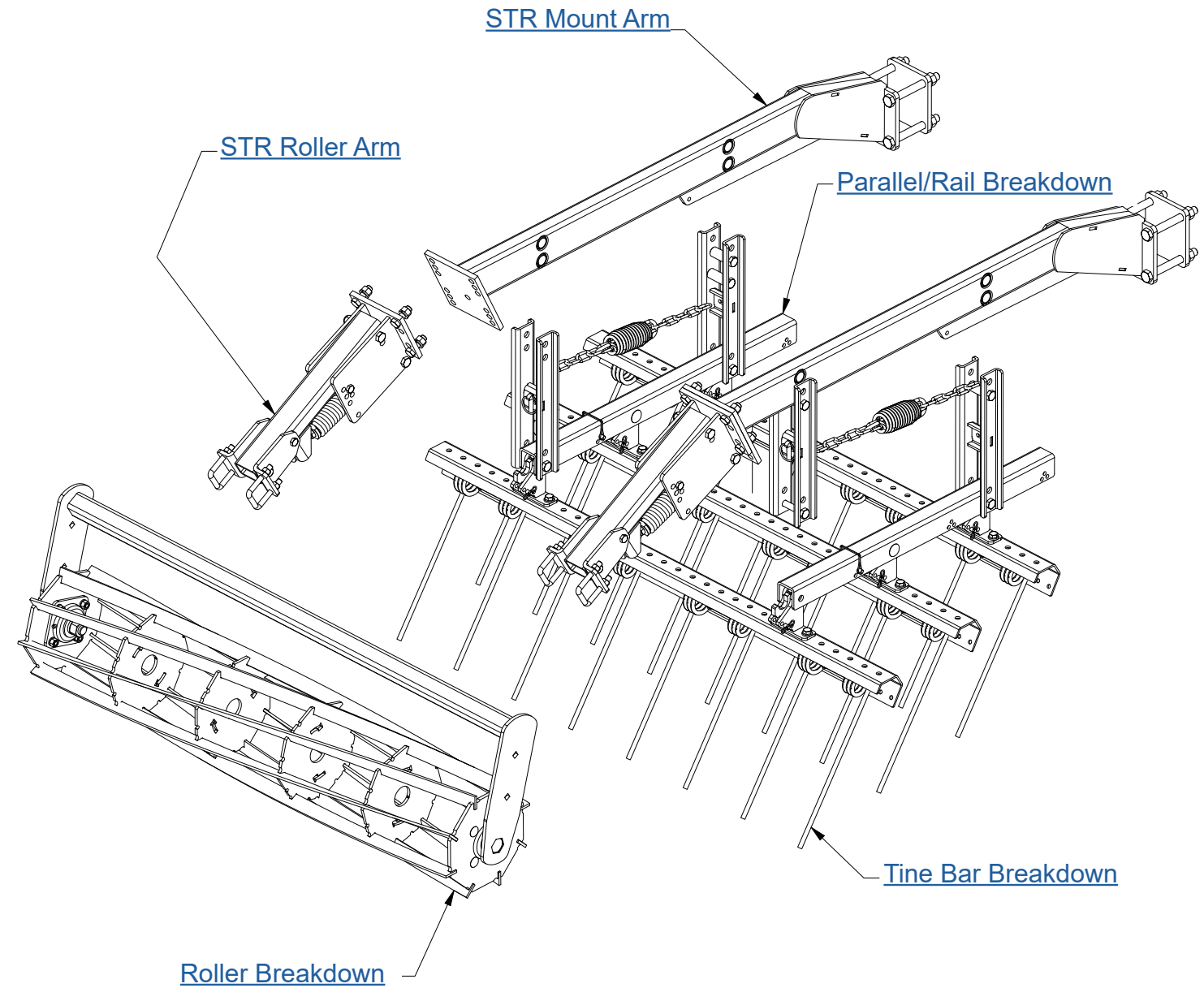
## Tine Bar Breakdown - FR



Item	Part Number	Description
1	F-00012	Coil Tine
2	FHD-1029	Tine Pivot Weldment
3	FR-0007 FR-0044 FR-0023 FR-0045 FR-0024	4' Tine Bar 4'8" Tine Bar 5'4" Tine Bar 6' Tine Bar 6'8" Tine Bar
4	FR-0018	Tine Clamp
5	FR-0050	Half Coil Tine
6	FR-0070	3/8" x 2" Zinc Finish Clevis Pin, FASTENAL PN:0156752
7	FR-0071	Bow Tie Cotter Pin For 5/16" - 3/8" Shaft, FASTENAL PN: 11104496
8	HFB0.5-13x1.25GR5ZF	1/2-13 UNC x 1.25 Hex Flange Bolt
9	HFB0.375-16x1.25GR5ZF	3/8-16 UNC x 1.25 Hex Flange Bolt
10	IFI - I0.5 - 13, HFNI(1)	Hex Flange Nut
11	IFI - I0.375 - 16, HFNI(1)	Hex Flange Nut

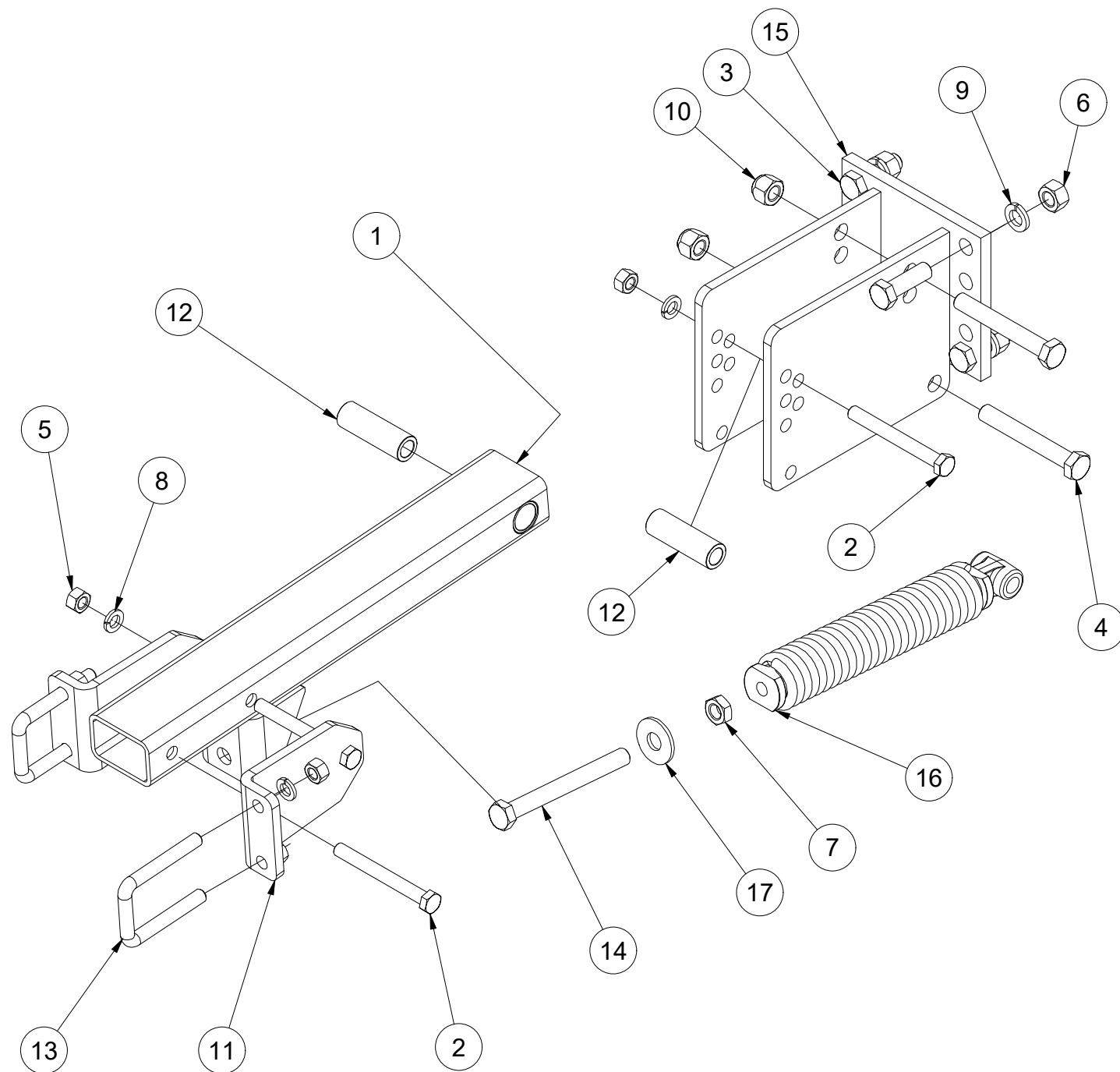
# Parts Diagram

## 3 Bar Tine Single Roller Harrow



# Parts Diagram

## STR Roller Arm



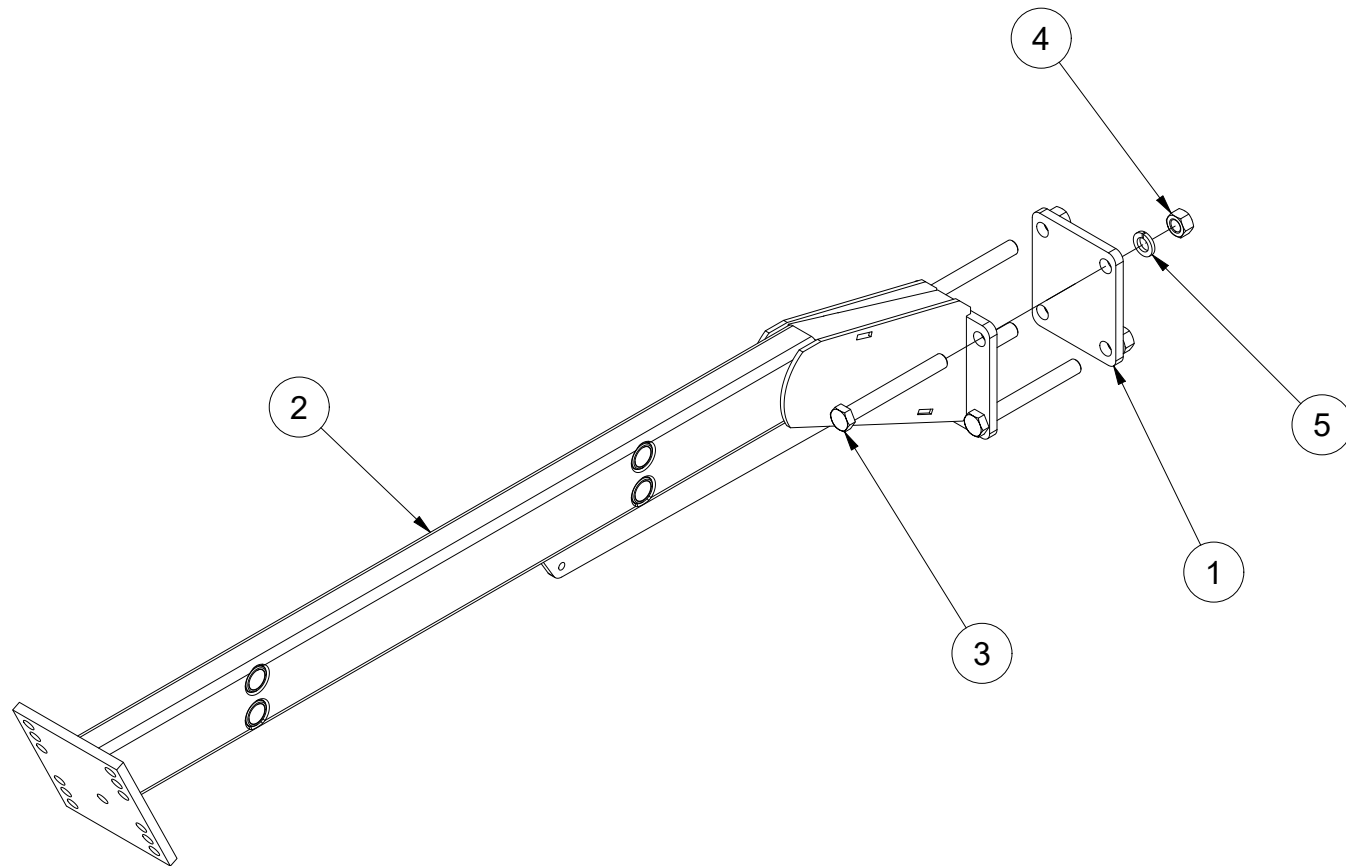
# Parts Description

## STR Roller Arm

Item	Part Number	Description
1	FR-1016	Roller Arm Weldment
2	HCSGR50.5-13x4.5ZF	1/2-13 UNC x 4.5 Hex Cap Srew w/ Std. Thread
3	HCSGR50.625-11x2ZF	5/8-11 UNC x 2 Hex Cap Screw w/ Std. Thread
4	HCSGR50.625-11x4.5ZF	5/8-11 UNC x 4.5 Hex Cap Screw w/ Std. Thread
5	HN0.5-13ZF	1/2-13 UNC Hex Nut
6	HN0.625-11ZF	5/8-11 UNC Hex Nut
7	JN0.625-11ZF	Jam Nut 5/8-11 UNC Zinc
8	LW0.5ZF	1/2 Lock Washer
9	LW0.625ZF	5/8 Lock Washer
10	OLNGRC0.625-11ZF	5/8-11 UNC Hex Lock Nut
11	RB-0013	Gang Bracket
12	RB-0019	Spacer
13	RB-0025	1/2-13 UNC x 2 x 3.50 U-Bolt
14	RB-0046	5/8-11 UNC x 6 Hex Cap Screw w/ Full Thread
15	RB-1002	Pivot Bracket Weldment
16	RB-1048	Roller Arm Spring Assy
17	WU0.625ZF	5/8 USS Washer

# Parts Diagram

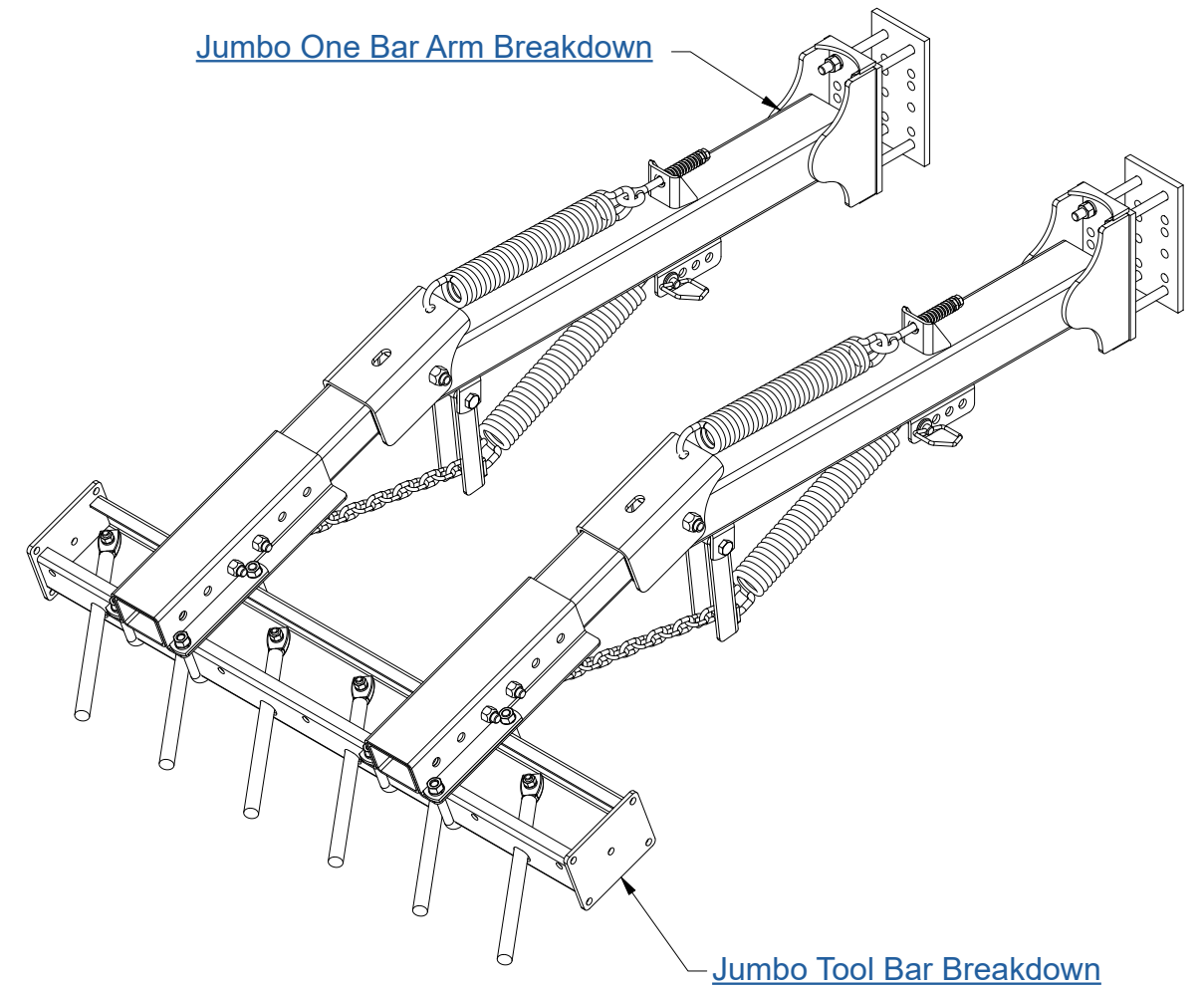
## STR Mount Arm



Item	Part Number	Description
1	FR-0064	Mounting Arm Plate - 3/4 Bolts
2	FR-1030	3 Bar Roller Lift Arm Wldmt w/ 3/4 Bolt & Bushing
3	HCSGR50.75-10x6.5ZF	3/4-10 UNC x 6.5 Hex Cap Screw w/ Std. Thread
4	HN0.75-10ZF	3/4-10 UNC Hex Nut
5	LW0.75ZF	3/4 Lock Washer

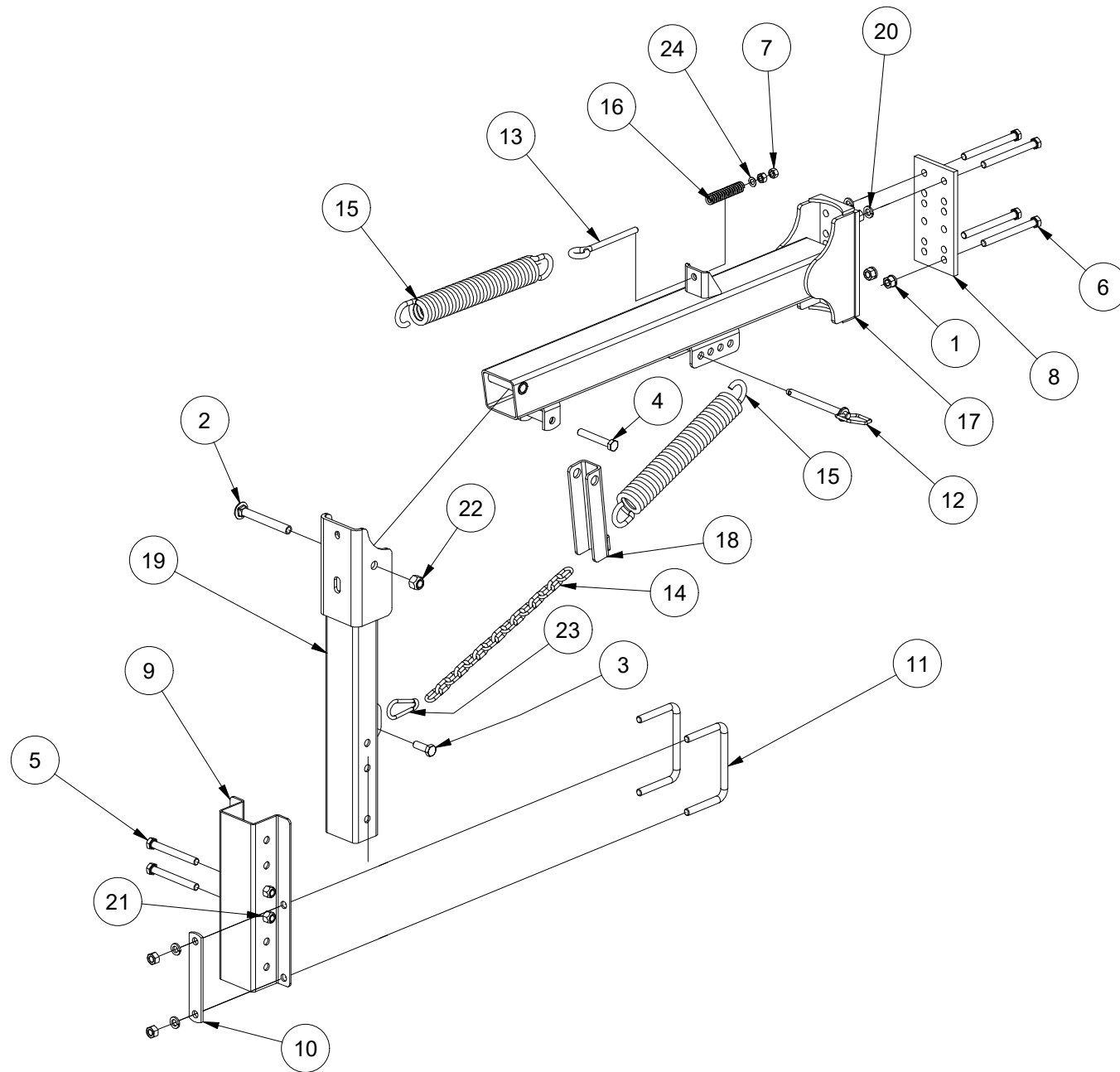
# Parts Diagram

## Jumbo One Bar Harrow



# Parts Diagram

## Jumbo One Bar Arm Breakdown



# Parts Description

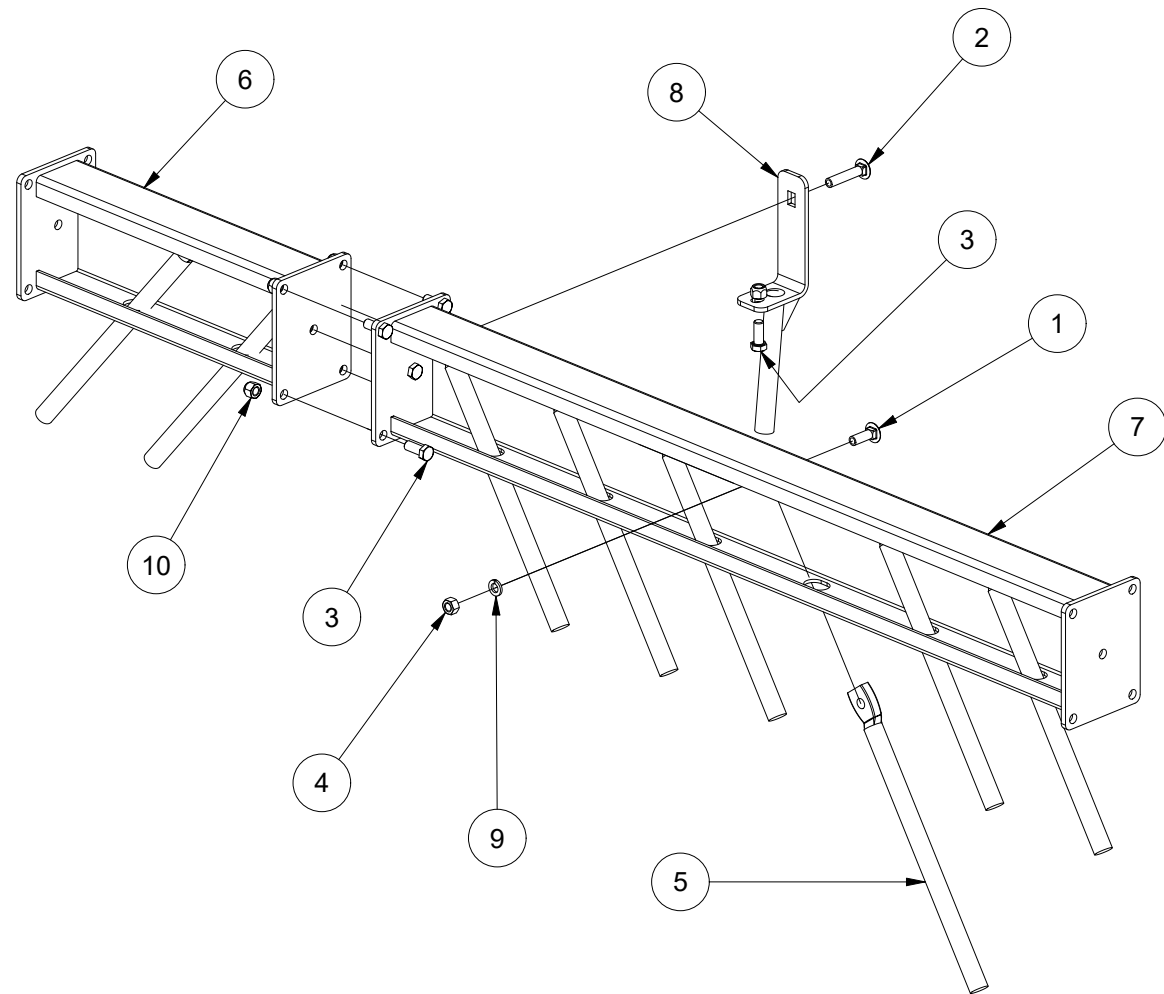
## Jumbo One Bar Arm Breakdown

Item	Part Number	Description
1	ANSI B18.2.2 - 5/8 - 11	5/8 - 11 UNC Hex Nut
2	ANSI B18.5 - 3/4-10 UNC - 6	Round Head Square Neck Bolt
3	HCSGR50.625-11x1.75ZF	5/8-11 UNC x 1.75 Hex Cap Srew w/ Std. Thread
4	HCSGR50.625-11x4ZF	5/8-11 UNC x 4 Hex Cap Screw w/ Std. Thread
5	HCSGR50.625-11x5.5ZF	5/8-11 UNC x 5.5 Hex Cap Srew w/ Std. Thread
6	HCSGR50.625-11x6.5ZF	5/8-11 UNC x 6.5 Hex Cap Screw w/ 3.5 Thread
7	HN0.5-13ZF	1/2-13 UNC Hex Nut
8	JB-0002	4" to 7" Frame Plate
9	JB-0016	Tool Bar Bracket Mount
10	JB-0017	Support Back Plate
11	JB-0024-AS	5/8"-11 x 6 9/16" x 4 1/2" U Bolt w/Lockwasher & Nut
12	JB-0026-AS	Spring Adjustment Pin w/Bow Tie Clip
13	JB-0027	1/2 X 8 Eyebolt
14	JB-0028	1/4" Proof Coil Chain - 15 Link
15	JB-0029	Tension Spring
16	JB-0032	Compression Spring
17	JB-1011	42" Mount Arm Weldment
18	JB-1012	Spring Extension Bracket Weldment
19	JB-1013	Harrow Mount Arm Weldment
20	LW0.625ZF	5/8 Lock Washer
21	OLNGRC0.625-11ZF	5/8-11 UNC Hex Lock Nut
22	OLNGRC0.75-10ZF	3/4-10 UNC Hex Lock Nut
23	SN375BZB0000	3/8" Snap Pear Link
24	WM0.50x0.048ZF	1/2 x 18 Ga. Machine Bushing



# Parts Diagram

## Jumbo Tool Bar Breakdown



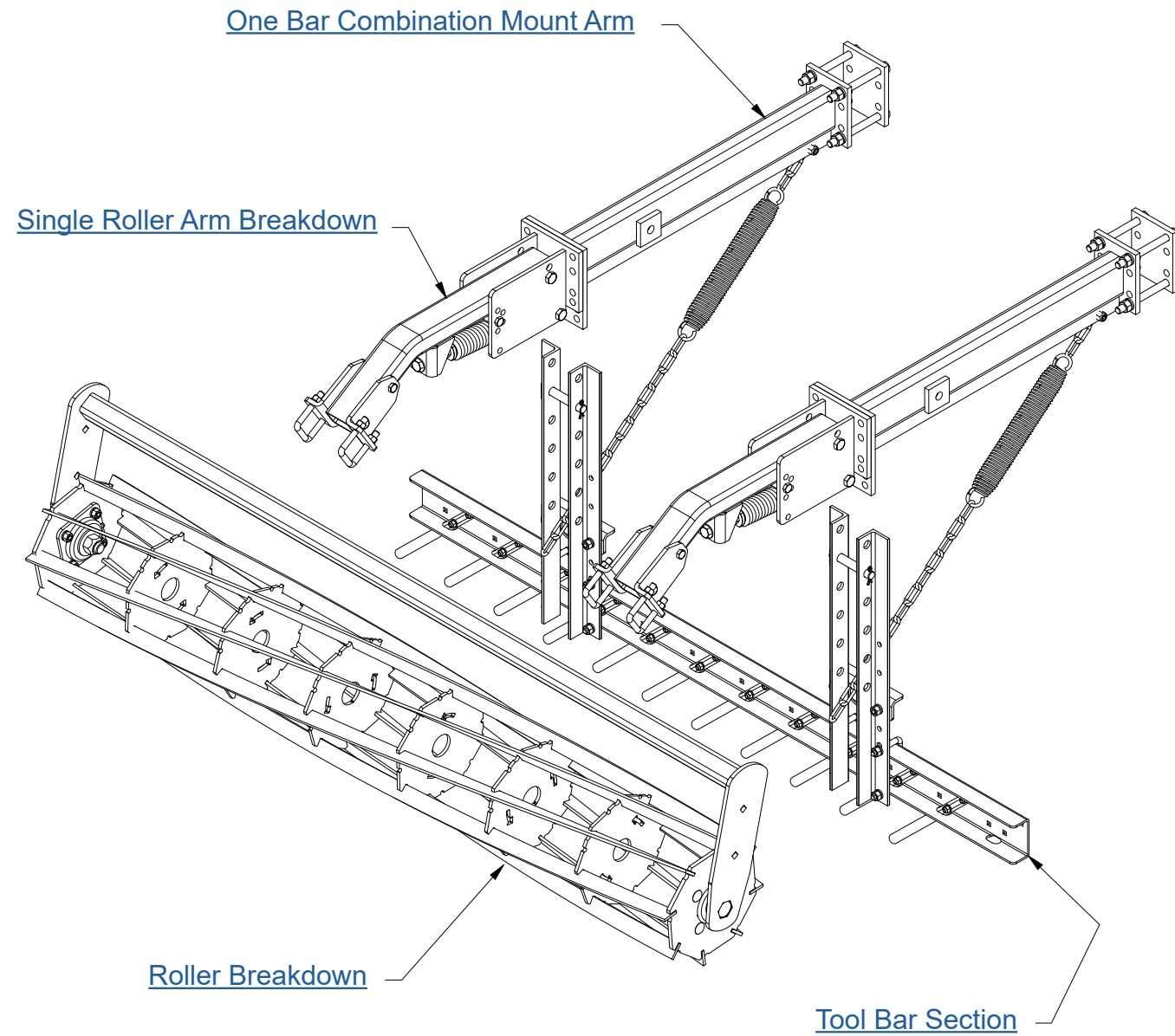
# Parts Description

## Jumbo Tool Bar Breakdown

Item	Part Number	Description
1	CBGR50.5-13x1.5ZF	*Varies*
2	CBGR50.5-13x2.5ZF	1/2-13 UNC x 2.5 Gr 5 Carriage Bolt
3	HCSGR50.5-13x1.25ZF	Hex Cap Screw 1/2-13 UNC x 1.25 w/ Std. Thread Gr.5 Zinc
4	HN0.5-13ZF	1/2-13 UNC Hex Nut
5	JB-0030	Heavy Duty Tooth
6	JB-1001 JB-1002	1'-4" Tool Bar Extension Weldment 2'-8" Tool Bar Extension Weldment
7	JB-1003 JB-1004 JB-1006 JB-1007 JB-1008	4 Tool Bar Weldment 5'-4" Tool Bar Weldment 6'-8" Tool Bar Weldment 8' Tool Bar Weldment 9'4" Tool Bar Weldment
8	JB-1010	Center Tooth Weldment
9	LW0.5ZF	1/2 Lock Washer
10	OLNGRC0.5-13ZF	1/2-13 UNC Hex Lock Nut

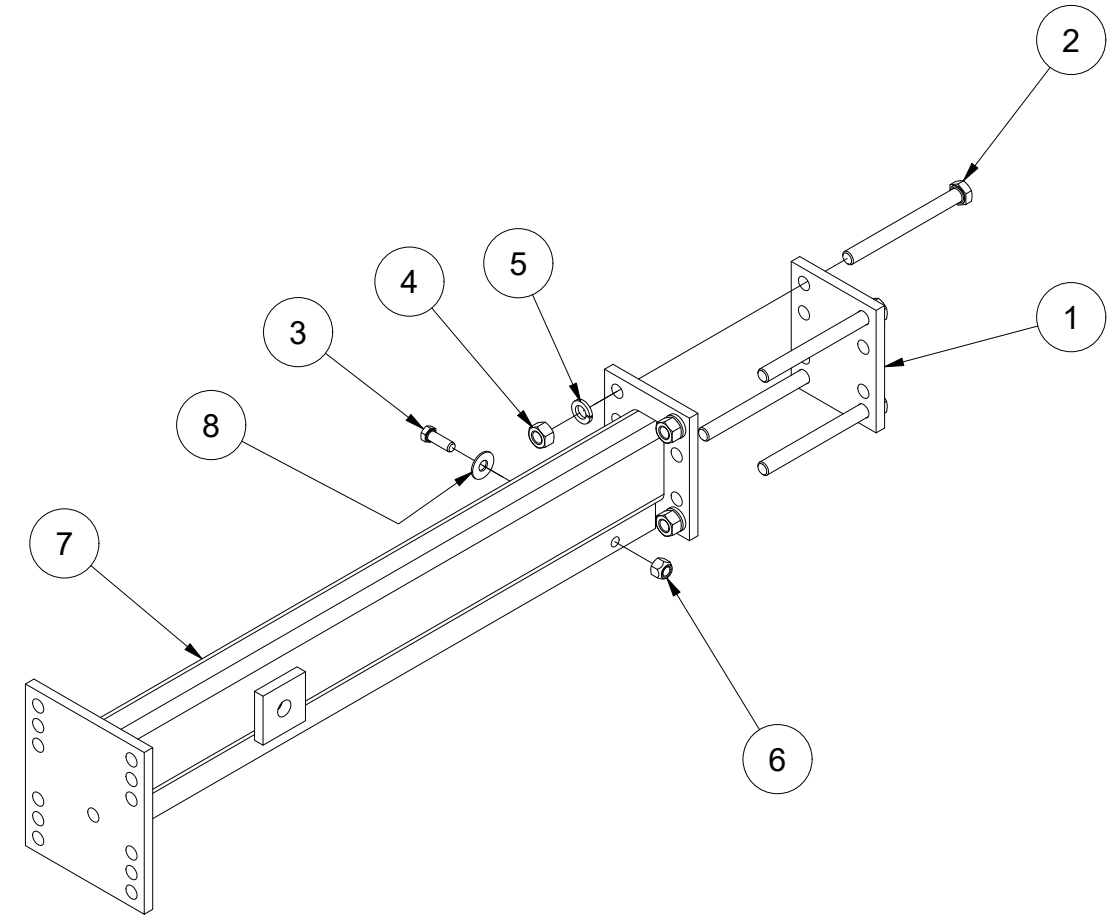
# Parts Diagram

## One Bar Harrow Single Roller Combination



# Parts Diagram

## One Bar Combination Mount Arm

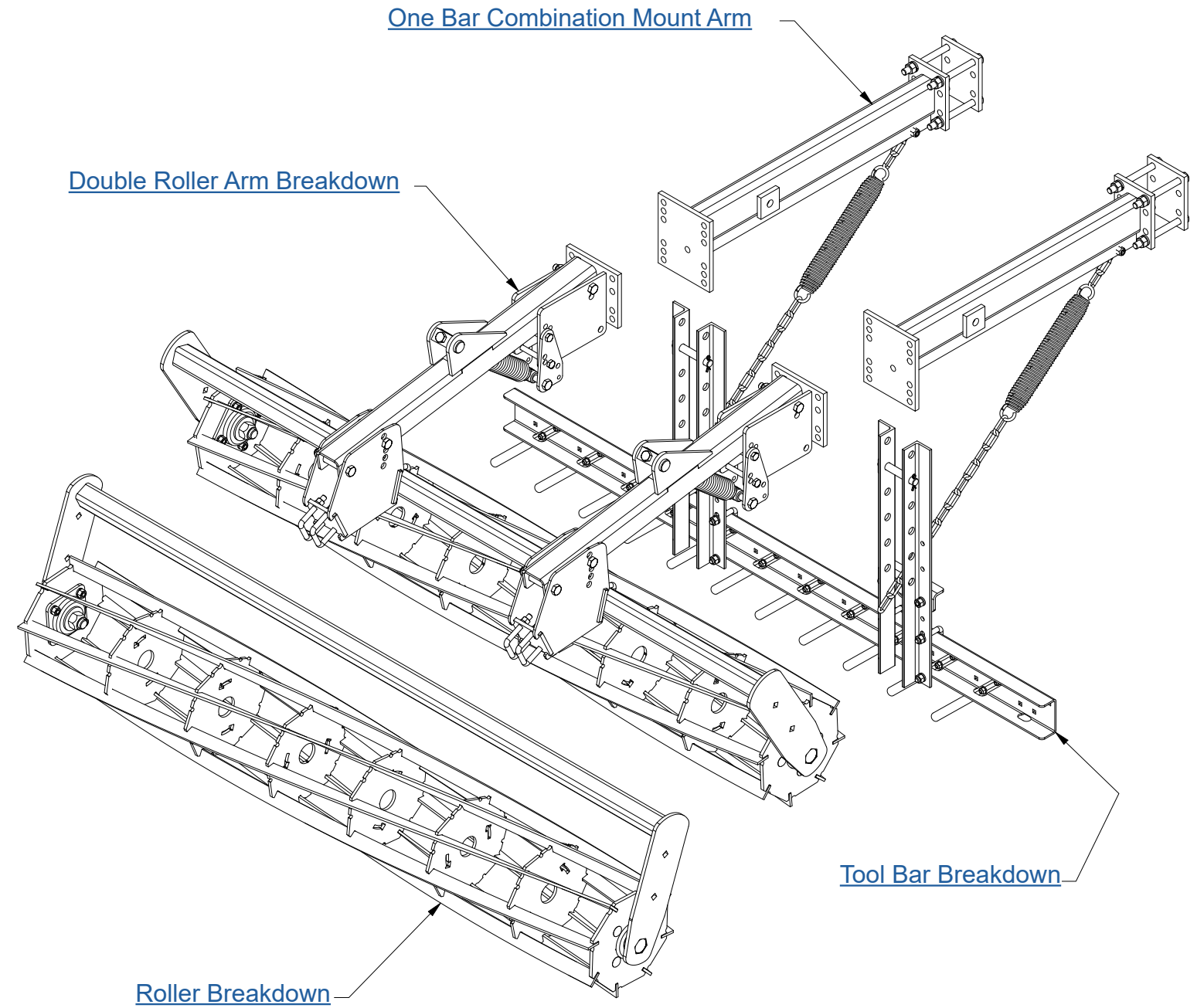


Item	Part Number	Description
1	F-00005	Mounting Arm Plate
2	HCSGR50.625-11x6.5ZFSPEC	5/8-11 UNC x 6.5 Hex Cap Screw w/ 3 1/2 Thread
3	HCSGR50.4375-14x1.25ZF	7/16-14 UNC x 1.25 Hex Cap Screw w/ Std. Thread
4	HN0.625-11ZF	5/8-11 UNC Hex Nut
5	LW0.625ZF	5/8 Lock Washer
6	OLNGRC0.5-13ZF	1/2-13 UNC Hex Lock Nut
7	RB-1034	One Bar Mount Arm Weldment
8	WU0.4375ZF	7/16 USS Washer

This page is intentionally left blank.

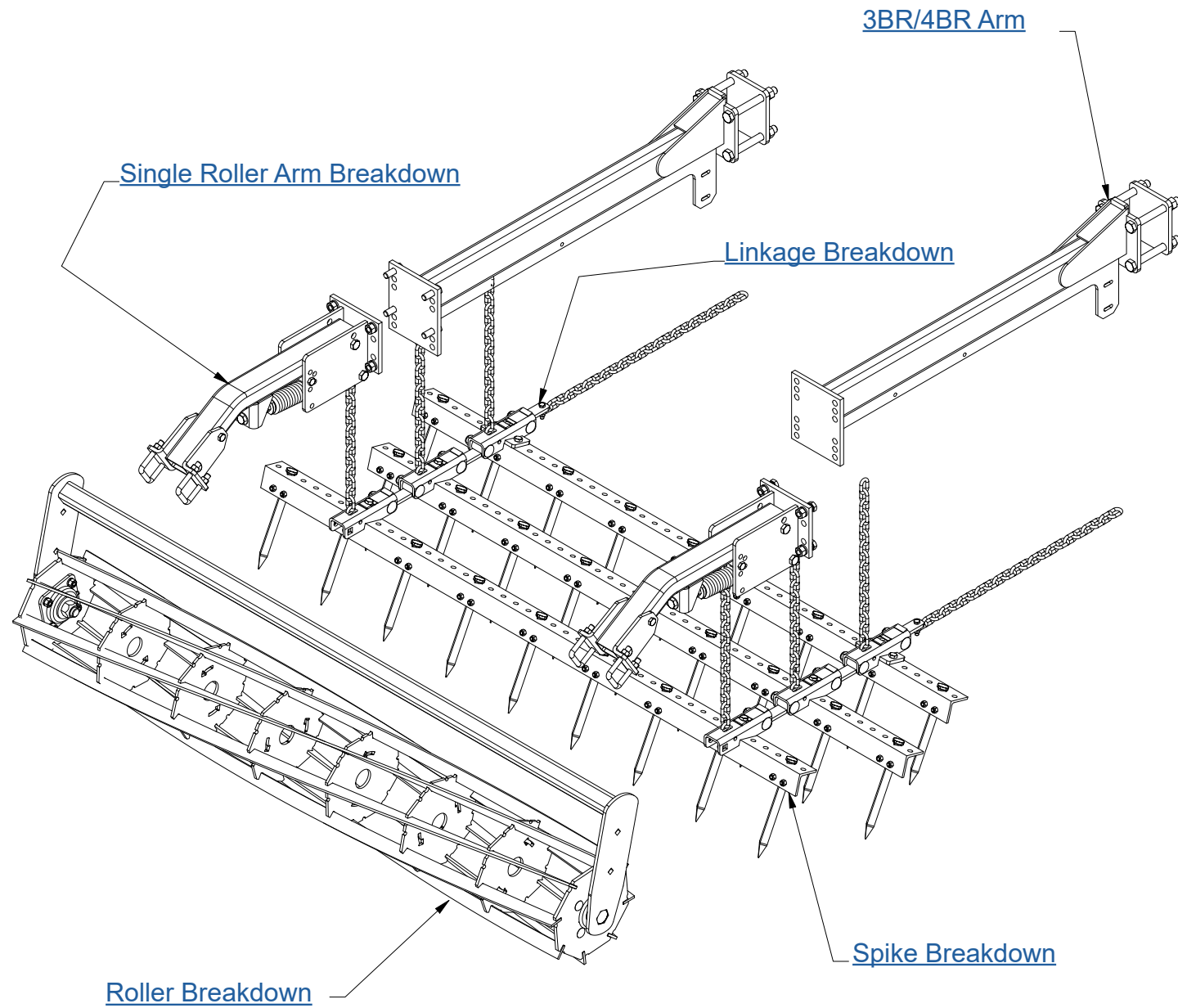
# Parts Diagram

## One Bar Harrow Double Roller Combination



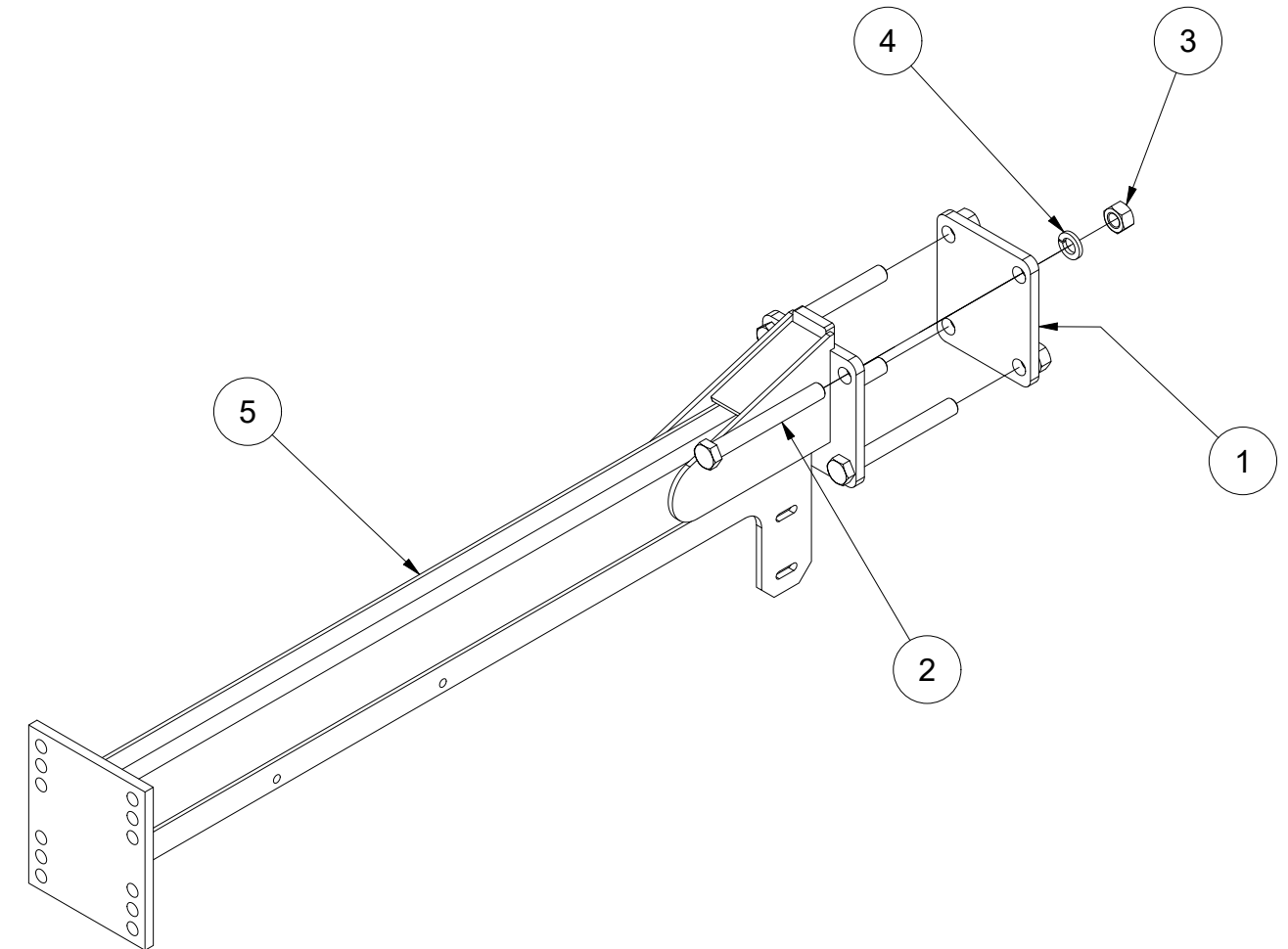
# Parts Diagram

## 3BR & 4BR Flex Harrow



# Parts Diagram

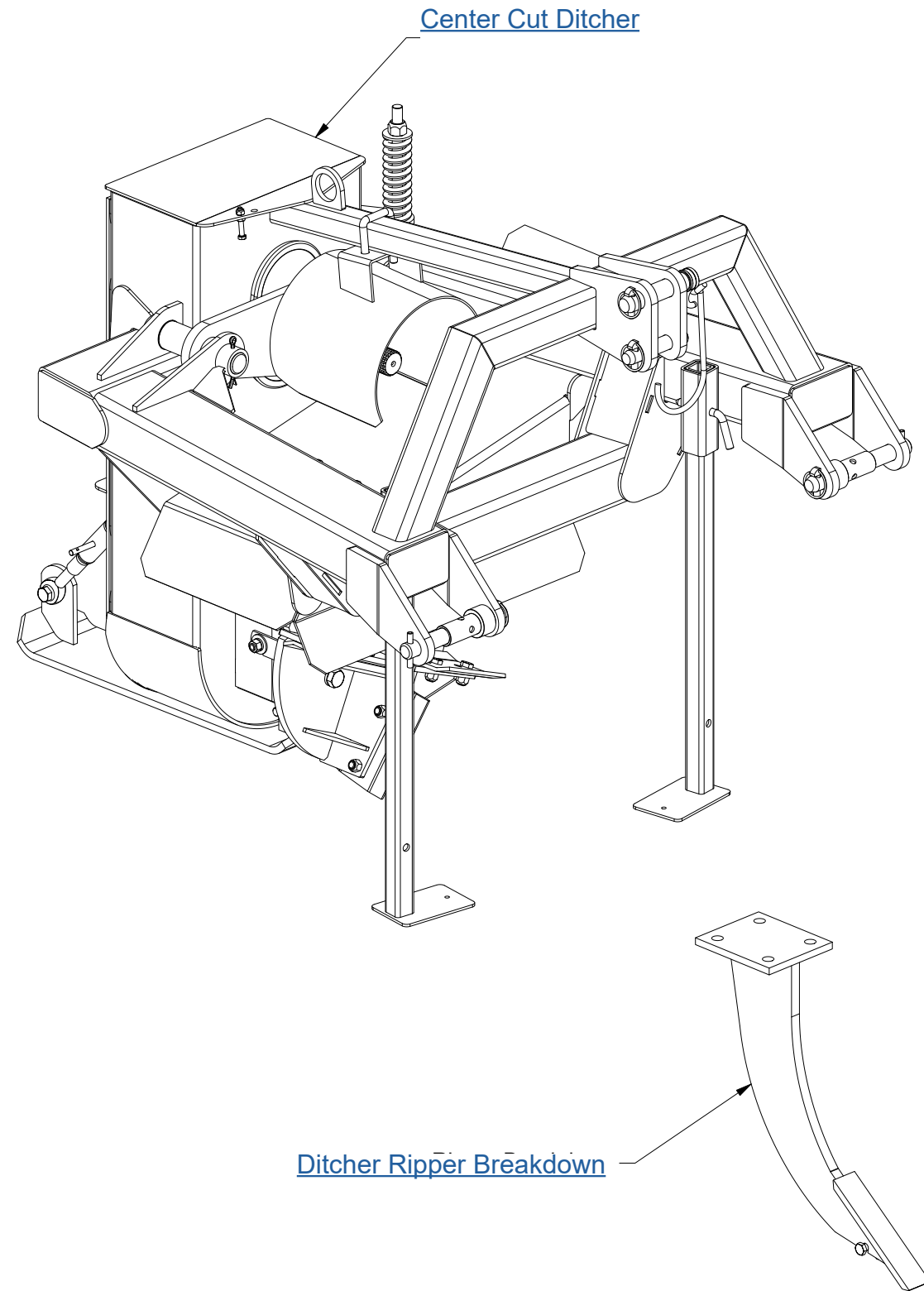
## 3BR/4BR Arm Breakdown



Item	Part Number	Description
1	FR-0064	Mounting Arm Plate - 3/4 Bolts
2	HCSGR50.75-10x6.5ZF	3/4-10 UNC x 6.5 Hex Cap Screw w/ Std. Thread
3	HN0.75-10ZF	3/4-10 UNC Hex Nut
4	LW0.75ZF	3/4 Lock Washer
5	RB-1037	4 Bar Flex / Single Roller Mount Arm Weldment

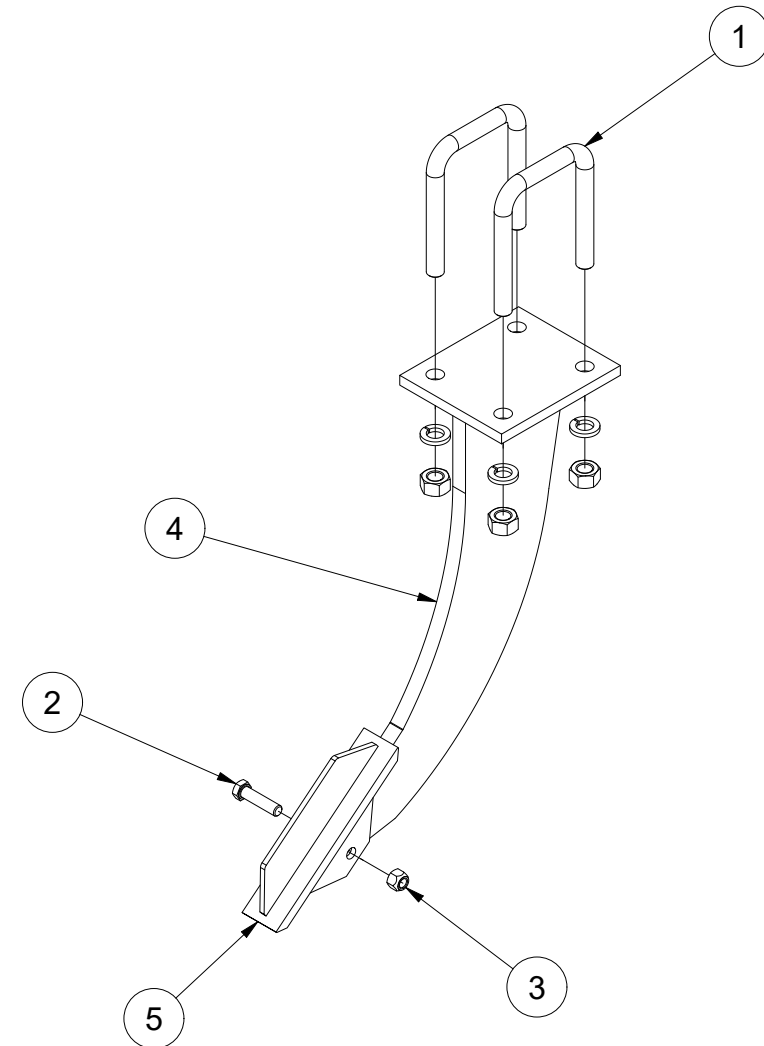
# Parts Diagram

## Center Cut Ditcher



# Parts Diagram

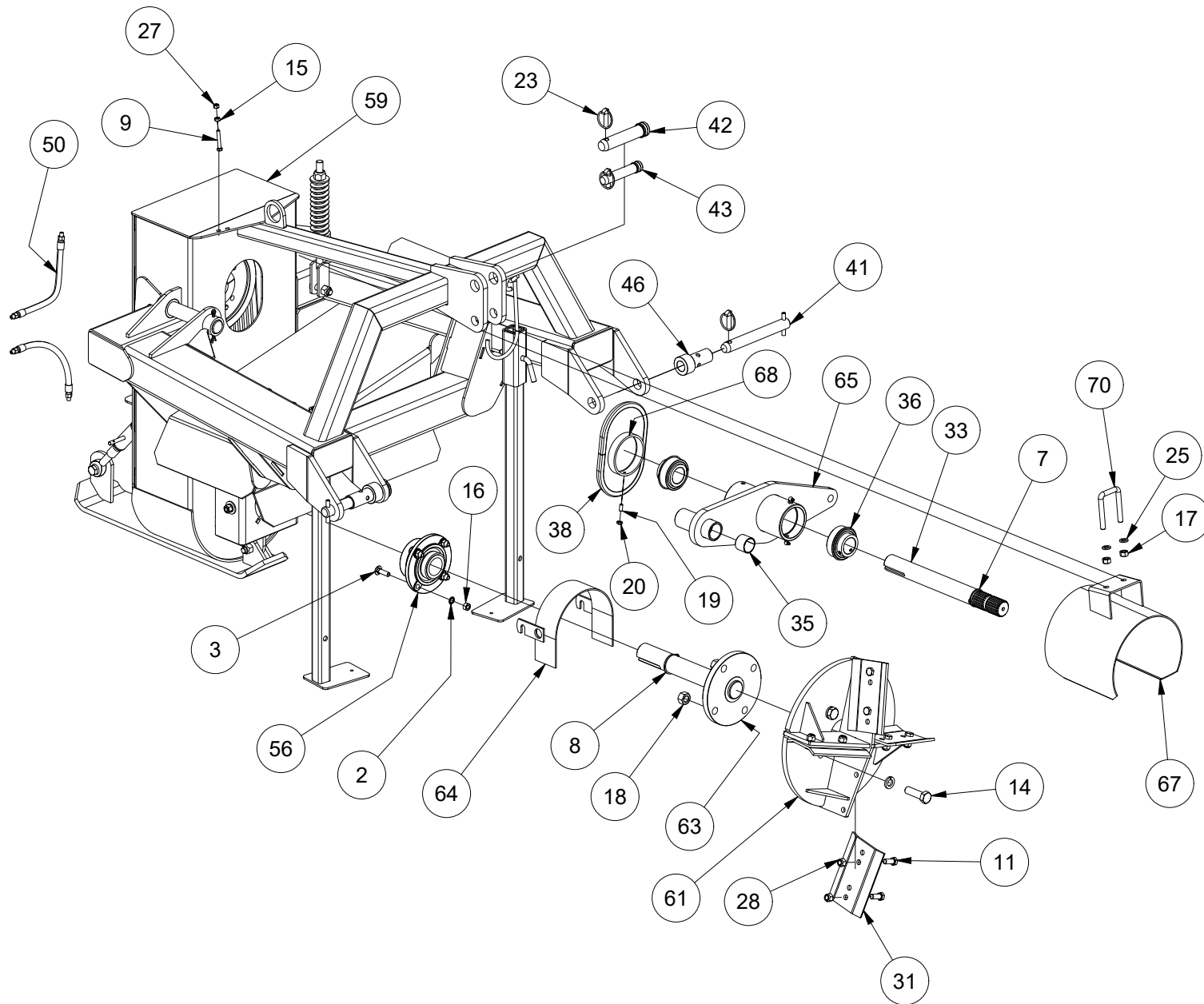
## Ditcher Ripper Breakdown



Item	Part Number	Description
1	F-00179-AS	3/4 x 4 x 5 3/4 U-Bolt w/Hardware
2	HCSGR50.5-13x2ZF	1/2-13 UNC x 2 Hex Cap Screw w/ Std. Thread
3	OLNGRC0.5-13ZF	1/2-13 UNC Hex Lock Nut
4	PD-1000	40000014 - Shank Weldment
5	PD-1042	Ripper Point w/ Fin Weldment

# Parts Diagram

## Center Cut Ditcher (Front)



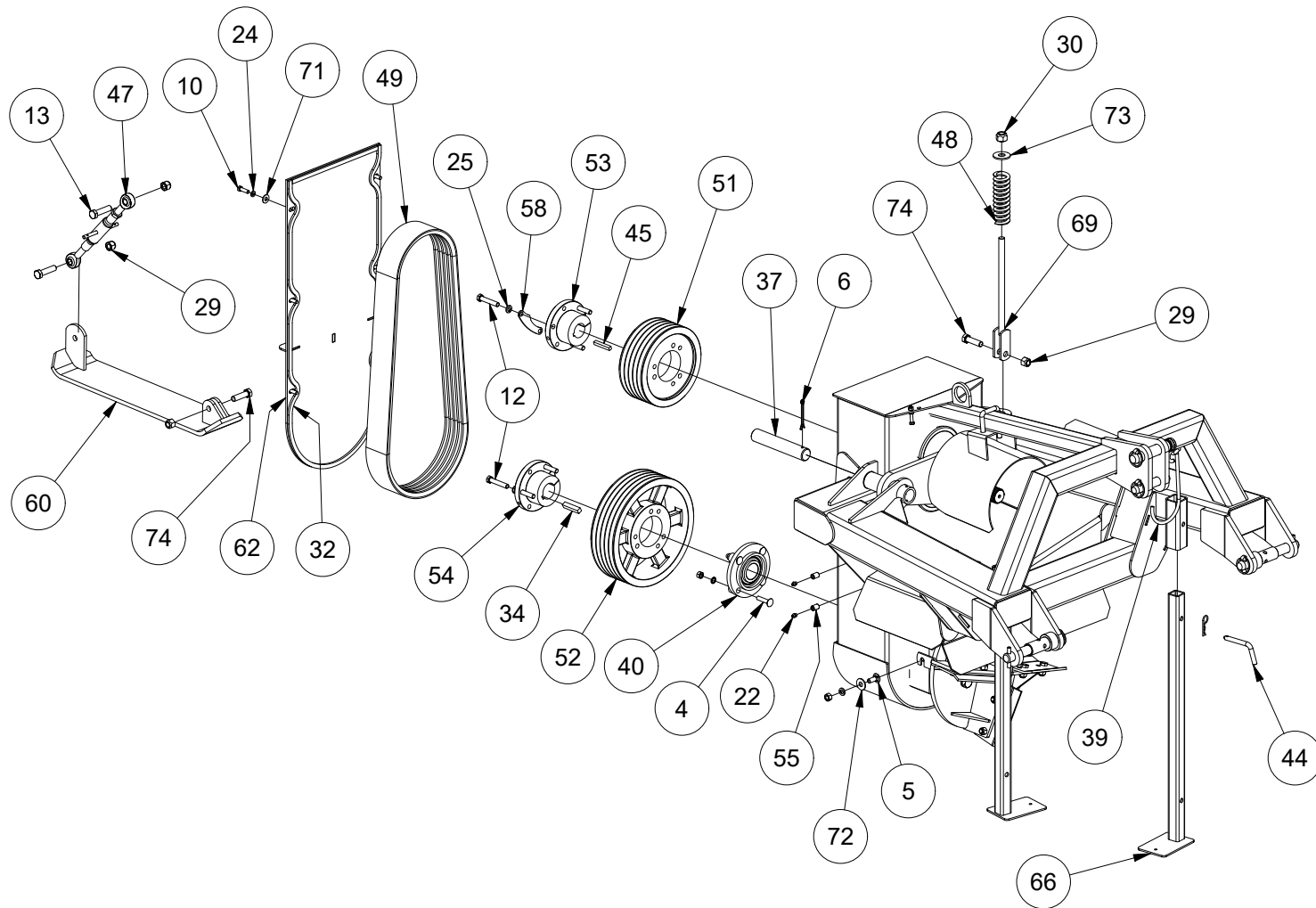
# Parts Description

## Center Cut Ditcher

Item	Part Number	Description
2	ASME B18.21.1 - 7/16 . Carbon Steel, ETLWTA(1)	External Tooth Lock Washer
3	CBGR50.4375-14x1.5ZF	7/16-14 UNC x 1.5 Carriage Bolt
7	ERR1.75Shaftx0.068x1.65	External Retaining Ring 1 3/4 Shaft, 0.068 Groove Width, 1.65 Diameter
8	ERR1.9375Shaftx0.125x1.782	External Retaining Ring 1 15/16 Shaft x 0.125 x 1.782
9	HCSGR50.3125-18x2ZF	5/16-18 UNC x 2 Hex Cap Srew w/ Std. Thread
11	HCSGR50.5-13x1.25ZF	1/2-13 UNC x 1.25 Hex Cap Screw w/ Std. Thread
14	HCSGR50.75-10x2.5ZF	3/4-10 UNC x 2.5 Hex Cap Screw w/ Std. Thread
15	HN0.3125-18ZF	5/16-18 UNC Hex Nut
16	HN0.4375-14ZF	7/16-14 UNC Hex Nut
17	HN0.5-13ZF	1/2-13 UNC Hex Nut
18	HN0.75-10ZF	3/4-10 UNC Hex Nut
19	HSSS0.3125-18x0.75ZF	5/16-18 UNC x 0.75 Hexagon Socket Set Screw
20	JN0.3125-18ZF	Jam Nut 5/16-18 UNC Zinc
23	L-A0077	7/16 x 1 3/4 Lynch Pin
25	LW0.5ZF	1/2 Lock Washer
27	OLNGRC0.3125-18ZF	5/16-18 UNC Hex Lock Nut
28	OLNGRC0.5-13ZF	1/2-13 UNC Hex Lock Nut
31	PD-0042	11600010 - Ditcher Blade
33	PD-0053	40000024 - Spline Shaft 1 3/4"-20
35	PD-0058	10900039 - Bushing MU 24TH20
36	PD-0059	10500013 - Bearing Insert 1 3/4 Standard B Seal
38	PD-0065	40000092 - Shield Trim Seal
41	PD-0072	10400033 - Lower 3pt Pin
42	PD-0073	10400034 - 1 1/4" Top Link Pin
43	PD-0074	10400035 - 1" Top Link Pin
46	PD-0078	10900026 - Quick Hitch Adapter Bushing
50	PD-0082	11100041 - 13" Grease Tube Assembly
56	PD-0088	10500050 - 1 15/16" Piloted Flange Bearing
59	PD-1003	40000117 - Center Cut Ditcher Frame Weldment
61	PD-1009	40000026 - 16" Rotor Knife Weldment
63	PD-1011	40000123 - Rotor Drive Shaft Weldment
64	PD-1012	40000120 - Rotor Shield Weldment
65	PD-1013	40000040 - Bearing Shaft Support Weldment
66	PD-1014	40000023 - Tube Stand Weldment
67	PD-1015	40000019 - PTO Shield Weldment
68	PD-1016	40000099 - Slotted Hole Shield Weldment
70	RB-0025	1/2-13 UNC x 2 x 3.50 U-Bolt

# Parts Diagram

## Center Cut Ditcher (Back)



# Parts Description

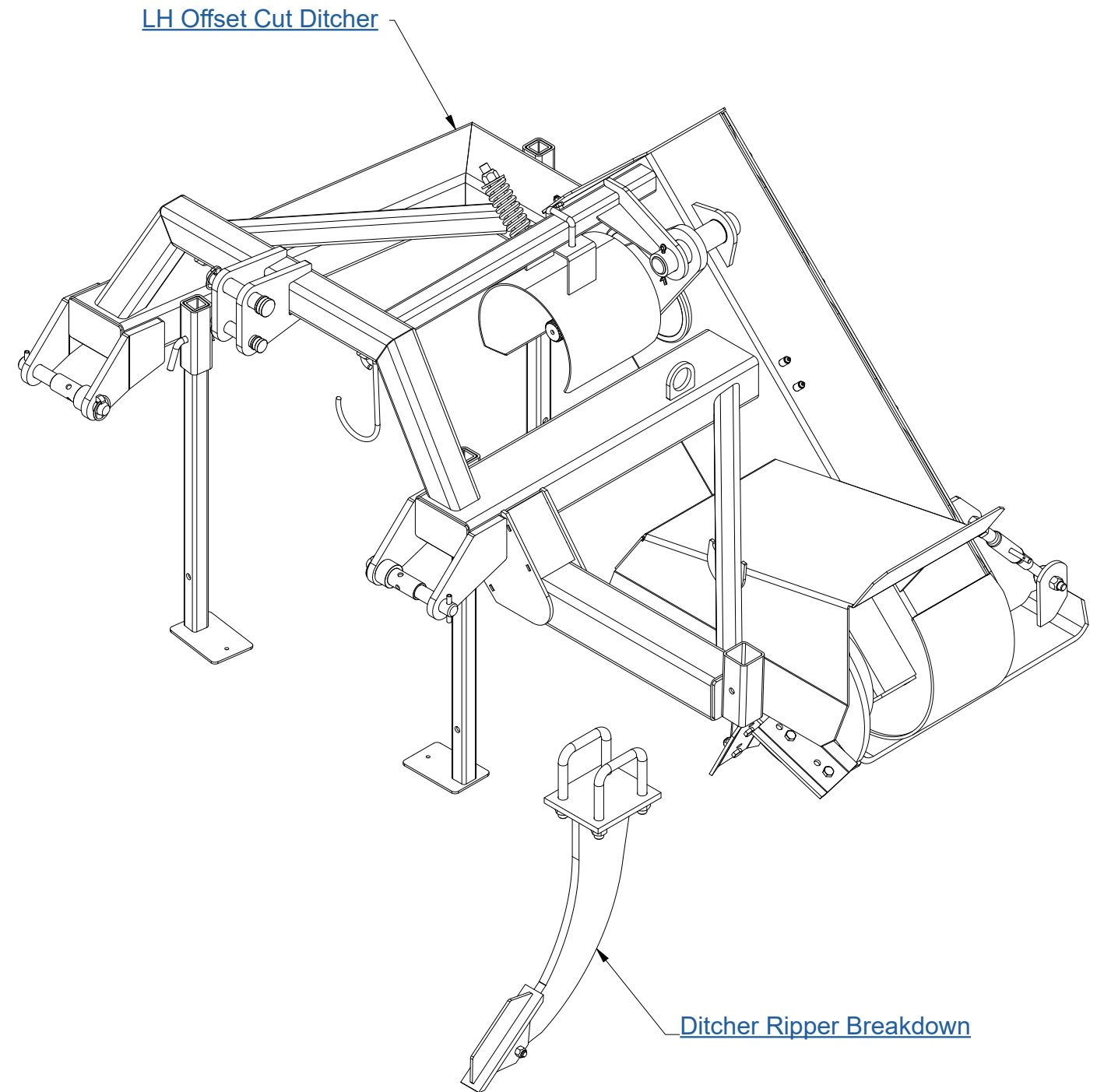
## Center Cut Ditcher

Item	Part Number	Description
4	CBGR50.4375-14x2ZF	7/16-14 UNC x 2 Carriage Bolt
5	CBGR50.5-13x1.25ZF	1/2-13 UNC x 1.25 Carriage Bolt
6	CK0.25x3ZF	1/4 x 3 Cotter Key
10	HCSGR50.375-16x1.25ZF	3/8-16 UNC x 1.25 Hex Cap Screw w/ Std. Thread
12	HCSGR50.5-13x2.75ZF	1/2-13 UNC x 2.75 Hex Cap Screw w/ Std. Thread
13	HCSGR50.625-11x2.5ZF	5/8-11 UNC x 2.5 Hex Cap Screw w/ Std. Thread
22	Jamtek 1644	Zerk - 1/8 x 27 PTF Straight Std Length
24	LW0.375ZF	3/8 Lock Washer
25	LW0.5ZF	1/2 Lock Washer
29	OLNGRC0.625-11ZF	5/8-11 UNC Hex Lock Nut
30	OLNGRC0.75-10ZF	3/4-10 UNC Hex Lock Nut
32	PD-0052	40000119 - Drive Cover Seal
34	PD-0054	10400089 - 1/2 Sq x 2.50 Key for 1 15/16 Shaft
37	PD-0060	40000041 - Bearing Shaft Support Pin
39	PD-0066	40000083 - PTO Support Hook
40	PD-0069	10500044 - 4 Bolt Pilot Flange 1 15/16 Bearing
44	PD-0075	10400040 - Bent Hitch Pin
45	PD-0077	10400083 - 3/8 Sq x 2.50 Key
46	PD-0078	10900026 - Quick Hitch Adapter Bushing
47	PD-0079	12200018 - Forged Top Link Assembly
48	PD-0080	10800011 - Tensioner Spring
49	PD-0081	11800015 - 5/5V800 Banded Belt x 80" OD
51	PD-0083	10700016 - 9 3/4" Sheave
52	PD-0084	10700017 - 13 1/4" Sheave
53	PD-0085	10900010 - 1 3/4" Type E Bushing
54	PD-0086	10900034 - 1 15/16" Type E Bushing
55	PD-0087	H0318 - 1/8" Female Pipe Coupling
58	PD-0144	PD Key Stop
60	PD-1008	40000121 - Skid Plate Weldment
62	PD-1010	40000118 - Drive Housing Cover Weldment
66	PD-1014	40000023 - Tube Stand Weldment
69	PD-1019	40000124 - Tensioner Adjusting Bolt Weldment
71	WU0.375ZF	3/8 USS Washer
72	WU0.5ZF	1/2 USS Washer
73	WU0.75ZF	3/4 USS Washer

This page is intentionally left blank.

# Parts Diagram

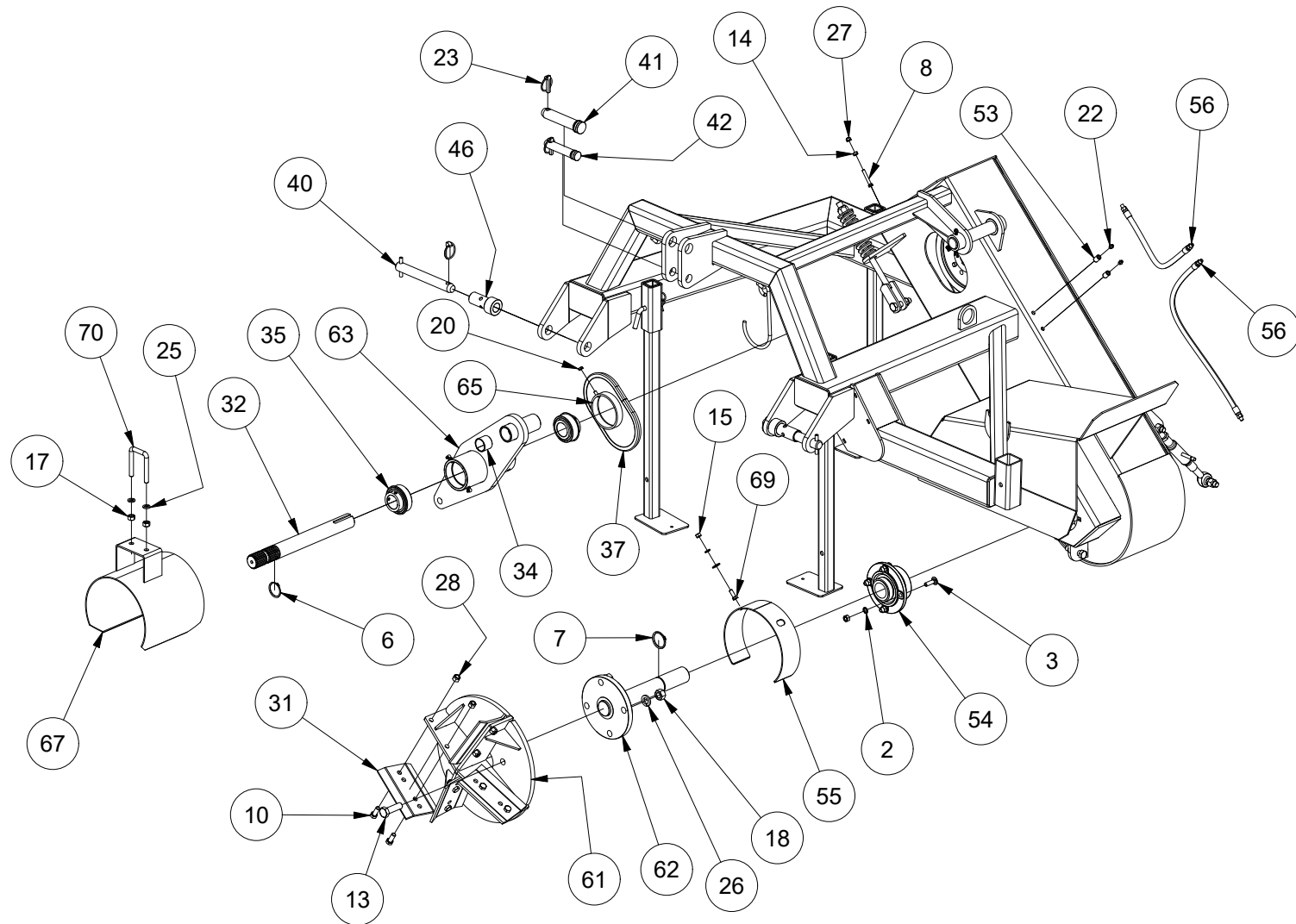
## LH Offset Cut Ditcher





# Parts Diagram

## LH Offset Cut Ditcher (Front)



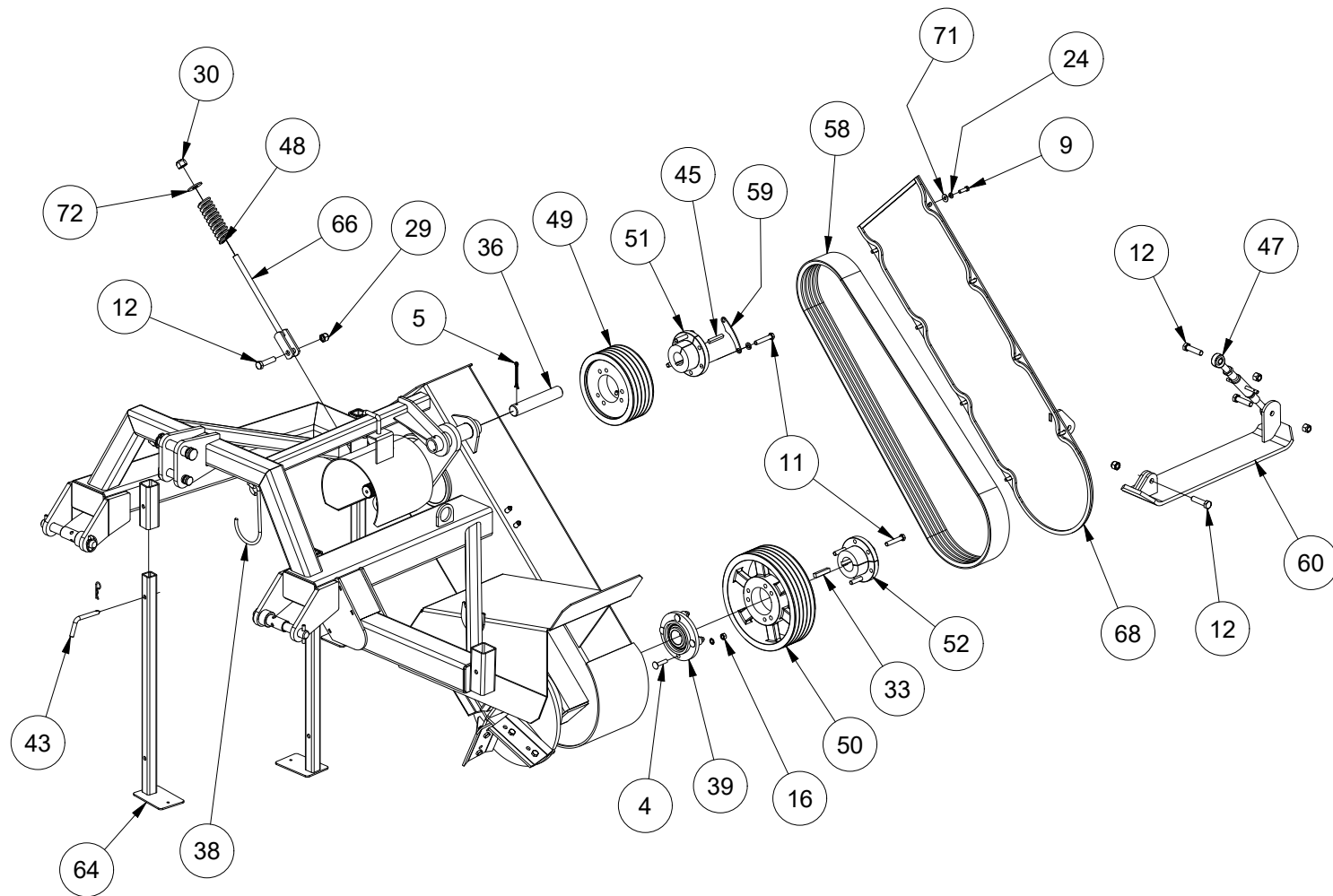
# Parts Description

## LH Offset Cut Ditcher

Item	Part Number	Description
2	ASME B18.21.1 - 7/16 . Carbon Steel, ETLWTA(1)	External Tooth Lock Washer
3	CBGR50.4375-14x1.5ZF	7/16-14 UNC x 1.5 Carriage Bolt
6	ERR1.75Shaftx0.068x1.65	External Retaining Ring 1 3/4 Shaft, 0.068 Groove Width, 1.65 Diameter
7	ERR1.9375Shaftx0.125x1.782	External Retaining Ring 1 15/16 Shaft x 0.125 x 1.782
8	HCSGR50.3125-18x2ZF	5/16-18 UNC x 2 Hex Cap Srew w/ Std. Thread
10	HCSGR50.5-13x1.25ZF	1/2-13 UNC x 1.25 Hex Cap Screw w/ Std. Thread
13	HCSGR50.75-10x2.5ZF	3/4-10 UNC x 2.5 Hex Cap Screw w/ Std. Thread
14	HN0.3125-18ZF	5/16-18 UNC Hex Nut
15	HN0.375-16ZF	3/8-16 UNC Hex Nut
17	HN0.5-13ZF	1/2-13 UNC Hex Nut
18	HN0.75-10ZF	3/4-10 UNC Hex Nut
20	JN0.3125-18ZF	Jam Nut 5/16-18 UNC Zinc
22	Jamtek 1644	Zerk - 1/8 x 27 PTF Straight Std Length
23	L-A0077	7/16 x 1 3/4 Lynch Pin
25	LW0.5ZF	1/2 Lock Washer
26	LW0.8125ZF	13/16 Lock Washer
27	OLNGRC0.3125-18ZF	5/16-18 UNC Hex Lock Nut
28	OLNGRC0.5-13ZF	1/2-13 UNC Hex Lock Nut
31	PD-0042	11600010 - Ditcher Blade
32	PD-0053	40000024 - Spline Shaft 1 3/4"-20
34	PD-0058	10900039 - Bushing MU 24TH20
35	PD-0059	10500013 - Bearing Insert 1 3/4 Standard B Seal
37	PD-0065	40000092 - Shield Trim Seal
40	PD-0072	10400033 - Lower 3pt Pin
41	PD-0073	10400034 - 1 1/4" Top Link Pin
42	PD-0074	10400035 - 1" Top Link Pin
46	PD-0078	10900026 - Quick Hitch Adapter Bushing
53	PD-0087	H0318 - 1/8" Female Pipe Coupling
54	PD-0088	10500050 - 1 15/16" Piloted Flange Bearing
55	PD-0107	40000130 - Offset Rotor Shield
56	PD-0109	11100062 - 22 1/2" Grease Tube Assembly
61	PD-1009	40000026 - 16" Rotor Knife Weldment
62	PD-1011	40000123 - Rotor Drive Shaft Weldment
63	PD-1013	40000040 - Bearing Shaft Support Weldment
65	PD-1016	40000099 - Slotted Hole Shield Weldment
67	PD-1026	40000131 - Offset PTO Shield Weldment
69	PD-1028	40000127 - Offset Cut Ditcher Frame Weldment
70	RB-0025	1/2-13 UNC x 2 x 3.50 U-Bolt

# Parts Diagram

## LH Offset Cut Ditcher (Back)



# Parts Description

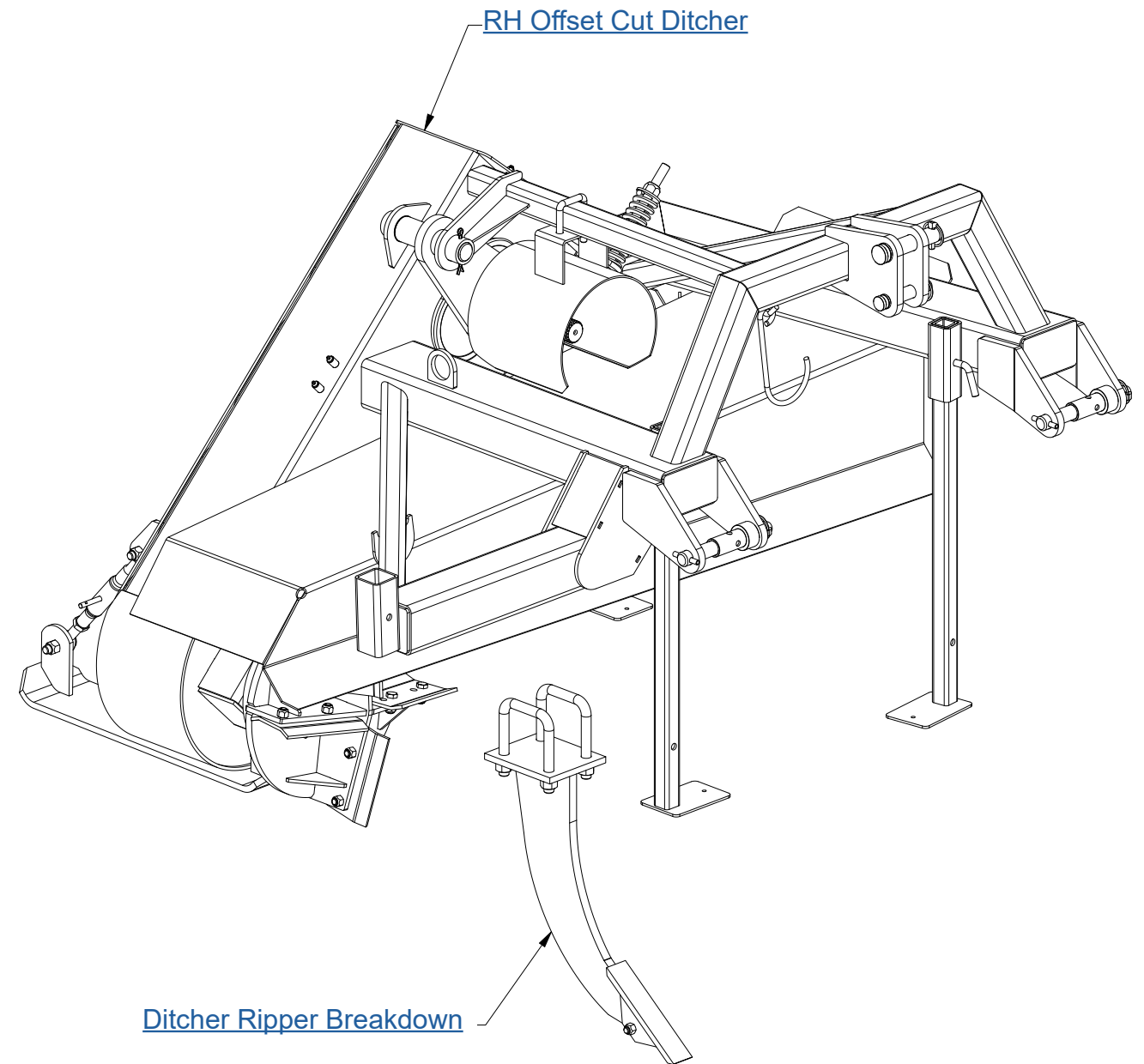
## LH Offset Cut Ditcher

Item	Part Number	Description
4	CBGR50.4375-14x2ZF	7/16-14 UNC x 2 Carriage Bolt
5	CK0.25x3ZF	1/4 x 3 Cotter Key
9	HCSGR50.375-16x1.25ZF	3/8-16 UNC x 1.25 Hex Cap Screw w/ Std. Thread
11	HCSGR50.5-13x2.75ZF	1/2-13 UNC x 2.75 Hex Cap Screw w/ Std. Thread
12	HCSGR50.625-11x2.5ZF	5/8-11 UNC x 2.5 Hex Cap Screw w/ Std. Thread
16	HN0.4375-14ZF	7/16-14 UNC Hex Nut
24	LW0.375ZF	3/8 Lock Washer
29	OLNGRC0.625-11ZF	5/8-11 UNC Hex Lock Nut
30	OLNGRC0.75-10ZF	3/4-10 UNC Hex Lock Nut
33	PD-0054	10400089 - 1/2 Sq x 2.50 Key for 1 15/16 Shaft
36	PD-0060	40000041 - Bearing Shaft Support Pin
38	PD-0066	40000083 - PTO Support Hook
39	PD-0069	10500044 - 4 Bolt Pilot Flange 1 15/16 Bearing
43	PD-0075	10400040 - Bent Hitch Pin
45	PD-0077	10400083 - 3/8 Sq x 2.50 Key
47	PD-0079	12200018 - Forged Top Link Assembly
48	PD-0080	10800011 - Tensioner Spring
49	PD-0083	10700016 - 9 3/4" Sheave
50	PD-0084	10700017 - 13 1/4" Sheave
51	PD-0085	10900010 - 1 3/4" Type E Bushing
52	PD-0086	10900034 - 1 15/16" Type E Bushing
58	PD-0112	11800022 - 5/5V1040 Banded Belt x 104" OD
59	PD-0144	PD Key Stop
60	PD-1008	40000121 - Skid Plate Weldment
64	PD-1014	40000023 - Tube Stand Weldment
66	PD-1019	40000124 - Tensioner Adjusting Bolt Weldment
68	PD-1027	Offset Drive Cover and Seal Assembly
71	WU0.375ZF	3/8 USS Washer
72	WU0.75ZF	3/4 USS Washer

This page is intentionally left blank.

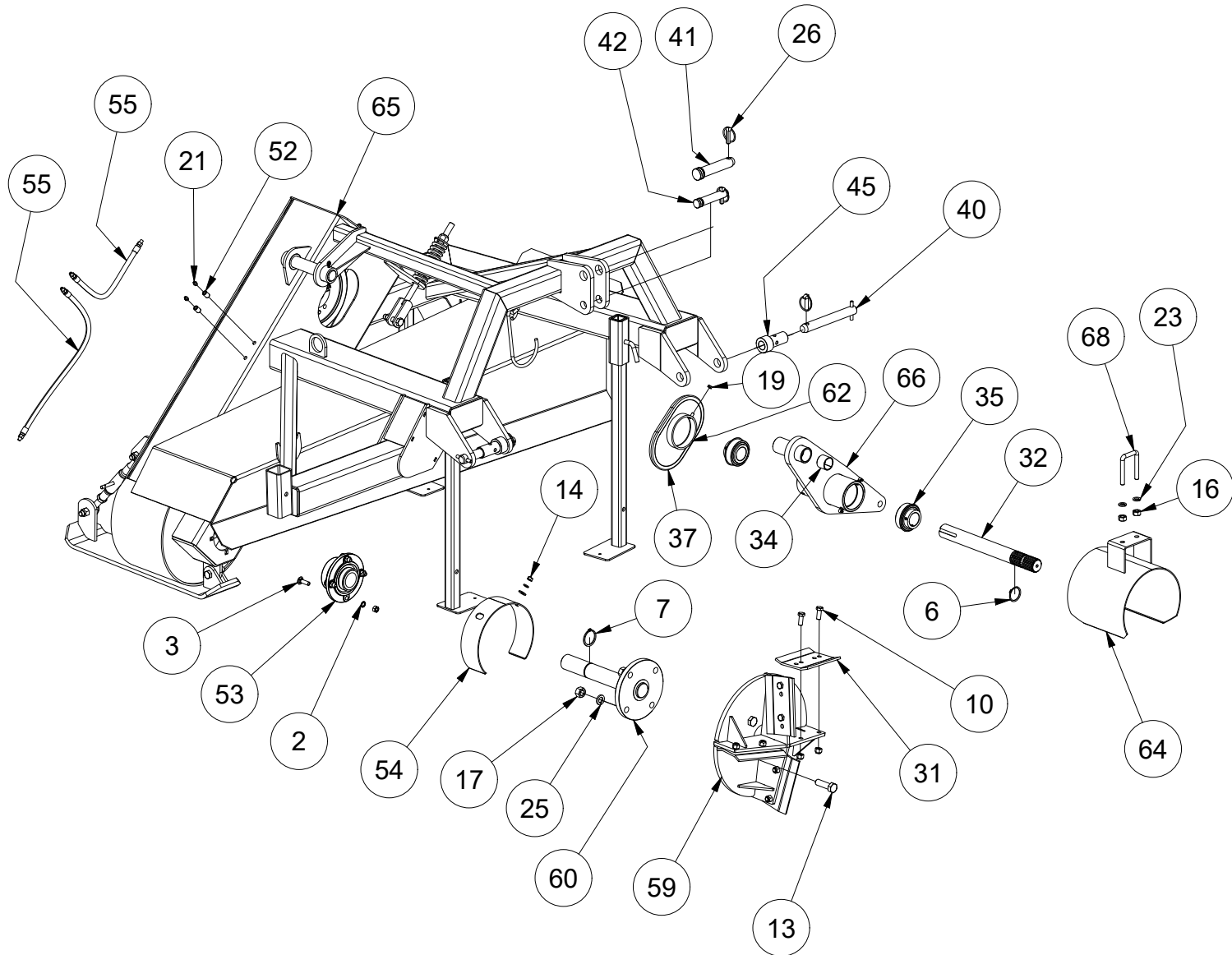
# Parts Diagram

## RH Offset Cut Ditcher



# Parts Diagram

## RH Offset Cut Ditcher (Front)



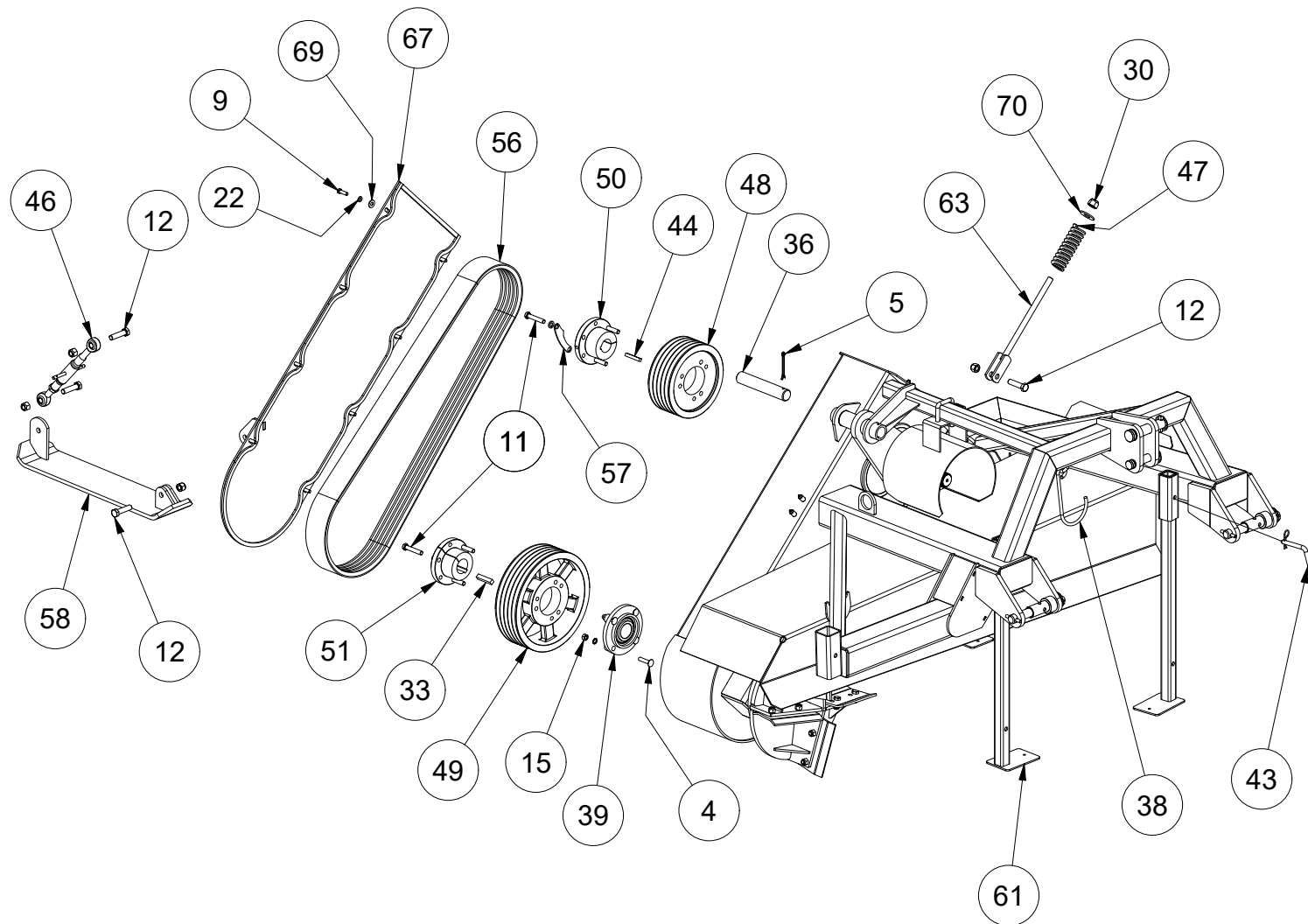
# Parts Description

## RH Offset Cut Ditcher

Item	Part Number	Description
2	ASME B18.21.1 - 7/16 . Carbon Steel, ETLWTA(1)	External Tooth Lock Washer
3	CBGR50.4375-14x1.5ZF	7/16-14 UNC x 1.5 Carriage Bolt
6	ERR1.75Shaftx0.068x1.65	External Retaining Ring 1 3/4 Shaft, 0.068 Groove Width, 1.65 Diameter
7	ERR1.9375Shaftx0.125x1.782	External Retaining Ring 1 15/16 Shaft x 0.125 x 1.782
10	HCSGR50.5-13x1.25ZF	1/2-13 UNC x 1.25 Hex Cap Screw w/ Std. Thread
13	HCSGR50.75-10x2.5ZF	3/4-10 UNC x 2.5 Hex Cap Screw w/ Std. Thread
14	HN0.375-16ZF	3/8-16 UNC Hex Nut
16	ANSI B18.2.2 - 9/16 - 12	Hex Nut
17	HN0.75-10ZF	3/4-10 UNC Hex Nut
19	JN0.3125-18ZF	Jam Nut 5/16-18 UNC Zinc
21	Jamtek 1644	Zerk - 1/8 x 27 PTF Straight Std Length
23	ASME B18.21.1 - 9/16	Lock Washer
25	LW0.75ZF	3/4 Lock Washer
26	Lynch Pin	7/16 x 1 3/4 Lynch Pin
31	PD-0042	11600010 - Ditcher Blade
32	PD-0053	40000024 - Spline Shaft 1 3/4"-20
34	PD-0058	10900039 - Bushing MU 24TH20
35	PD-0059	10500013 - Bearing Insert 1 3/4 Standard B Seal
37	PD-0065	40000092 - Shield Trim Seal
40	PD-0072	10400033 - Lower 3pt Pin
41	PD-0073	10400034 - 1 1/4" Top Link Pin
42	PD-0074	10400035 - 1" Top Link Pin
45	PD-0078	10900026 - Quick Hitch Adapter Bushing
52	PD-0087	H0318 - 1/8" Female Pipe Coupling
53	PD-0088	10500050 - 1 15/16" Piloted Flange Bearing
54	PD-0107	40000130 - Offset Rotor Shield
55	PD-0109	11100062 - 22 1/2" Grease Tube Assembly
59	PD-1009	40000026 - 16" Rotor Knife Weldment
60	PD-1011	40000123 - Rotor Drive Shaft Weldment
62	PD-1016	40000099 - Slotted Hole Shield Weldment
64	PD-1026	40000131 - Offset PTO Shield Weldment
65	PD-1036	RH Offset Ditcher
66	PD-1038	Bearing Shaft Support Weldment - RH
68	RB-0025	1/2-13 UNC x 2 x 3.50 U-Bolt

# Parts Diagram

## RH Offset Cut Ditcher (Back)



# Parts Description

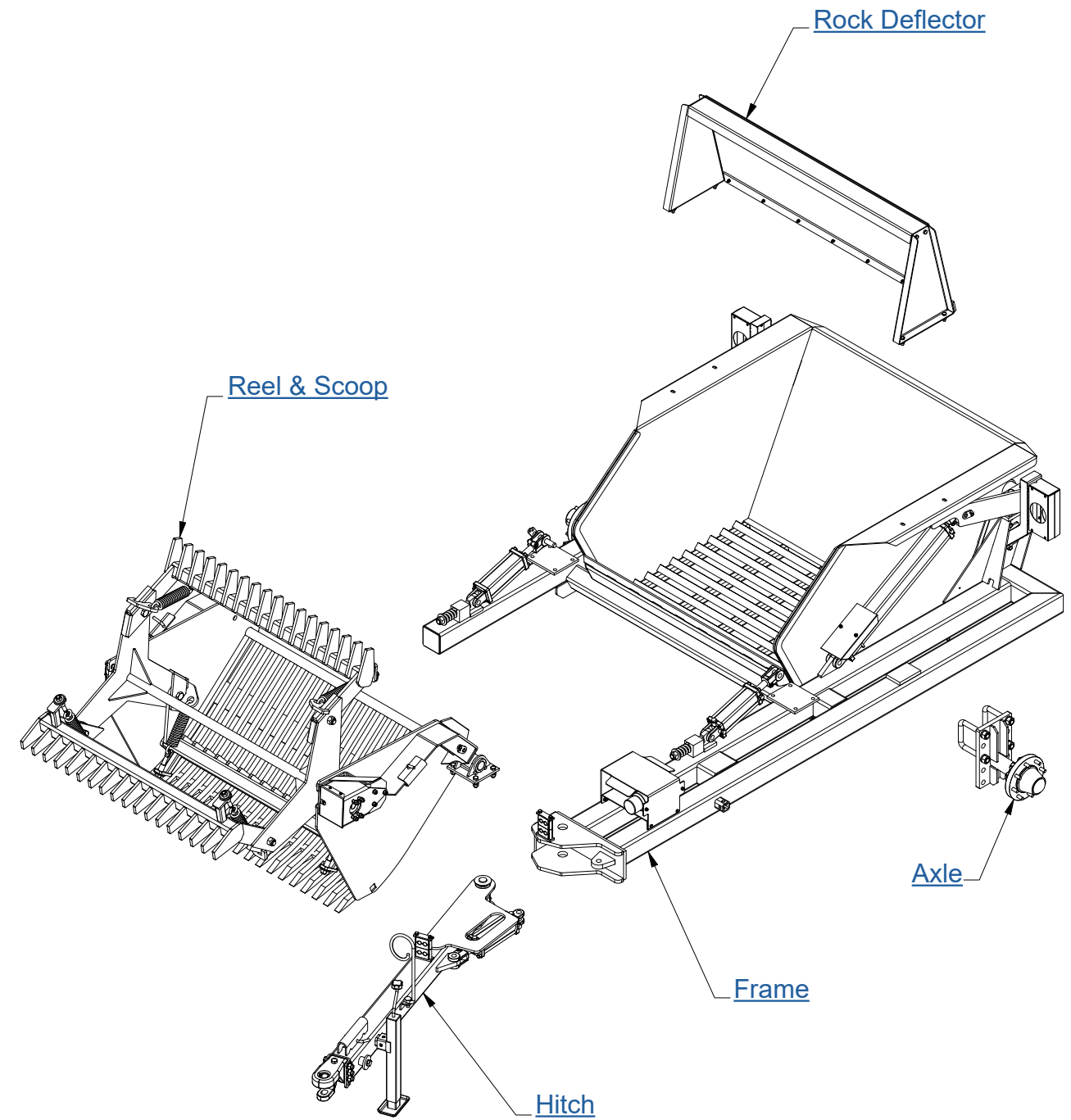
## RH Offset Cut Ditcher (Back)

Item	Part Number	Description
4	CBGR50.4375-14x2ZF	7/16-14 UNC x 2 Carriage Bolt
5	CK0.25x3ZF	1/4 x 3 Cotter Key
9	HCSGR50.375-16x1.25ZF	3/8-16 UNC x 1.25 Hex Cap Screw w/ Std. Thread
11	HCSGR50.5-13x2.75ZF	1/2-13 UNC x 2.75 Hex Cap Screw w/ Std. Thread
12	HCSGR50.625-11x2.5ZF	5/8-11 UNC x 2.5 Hex Cap Screw w/ Std. Thread
15	HN0.4375-14ZF	7/16-14 UNC Hex Nut
22	LW0.375ZF	3/8 Lock Washer
30	OLNGRC0.75-10ZF	3/4-10 UNC Hex Lock Nut
33	PD-0054	10400089 - 1/2 Sq x 2.50 Key for 1 15/16 Shaft
36	PD-0060	40000041 - Bearing Shaft Support Pin
38	PD-0066	40000083 - PTO Support Hook
39	PD-0069	10500044 - 4 Bolt Pilot Flange 1 15/16 Bearing
43	PD-0075	10400040 - Bent Hitch Pin
44	PD-0077	10400083 - 3/8 Sq x 2.50 Key
46	PD-0079	12200018 - Forged Top Link Assembly
47	PD-0080	10800011 - Tensioner Spring
48	PD-0083	10700016 - 9 3/4" Sheave
49	PD-0084	10700017 - 13 1/4" Sheave
50	PD-0085	10900010 - 1 3/4" Type E Bushing
51	PD-0086	10900034 - 1 15/16" Type E Bushing
56	PD-0112	11800022 - 5/5V1040 Banded Belt x 104" OD
58	PD-1008	40000121 - Skid Plate Weldment
61	PD-1014	40000023 - Tube Stand Weldment
63	PD-1019	40000124 - Tensioner Adjusting Bolt Weldment
67	PD-1041	RH - Offset Drive Cover and Seal Assembly
69	WU0.375ZF	3/8 USS Washer
70	WU0.75ZF	3/4 USS Washer
57	PD-0144	PD Key Stop

This page is intentionally left blank.

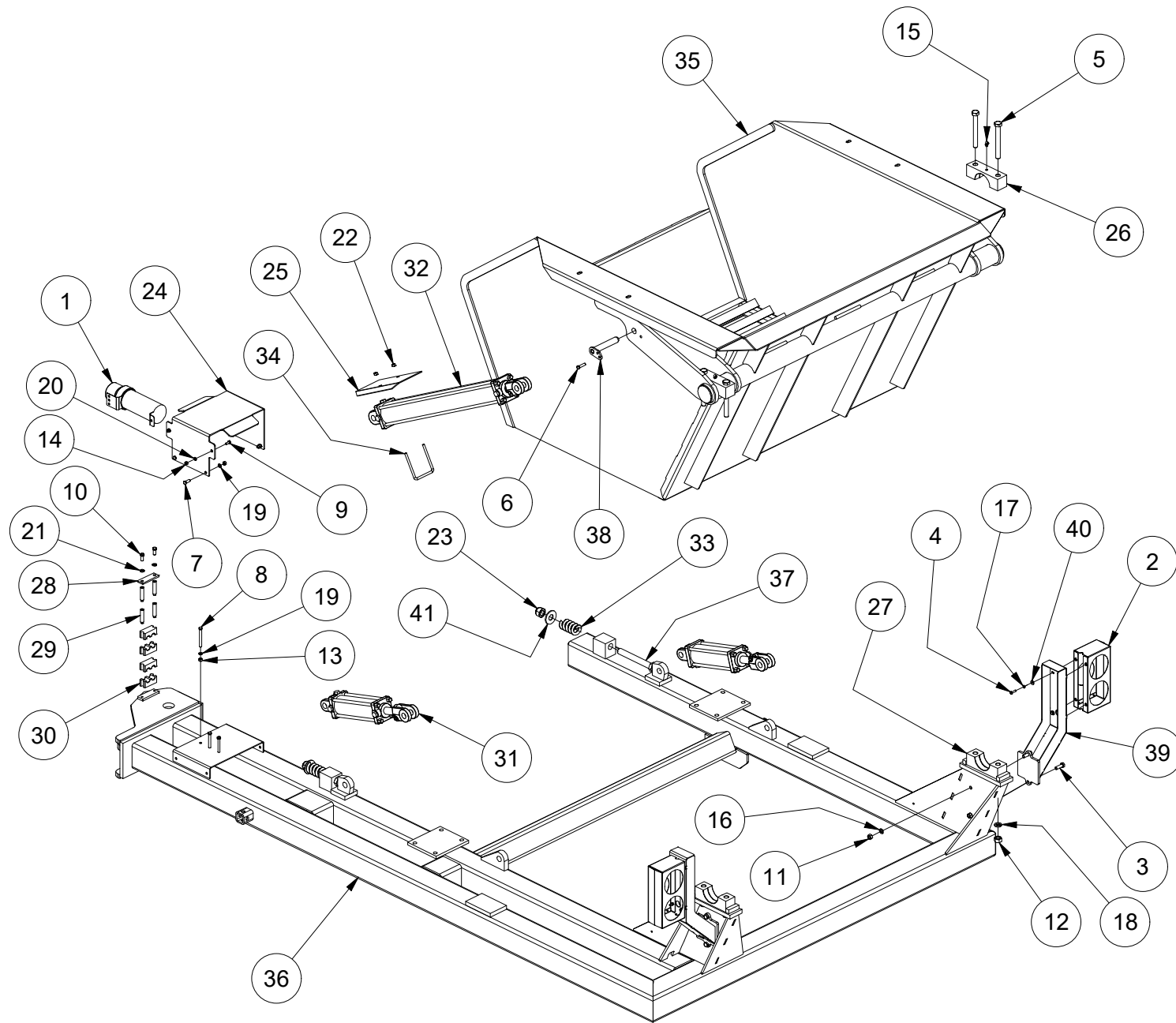
# Parts Diagram

## Rock Picker



# Parts Diagram

## Rock Picker Frame



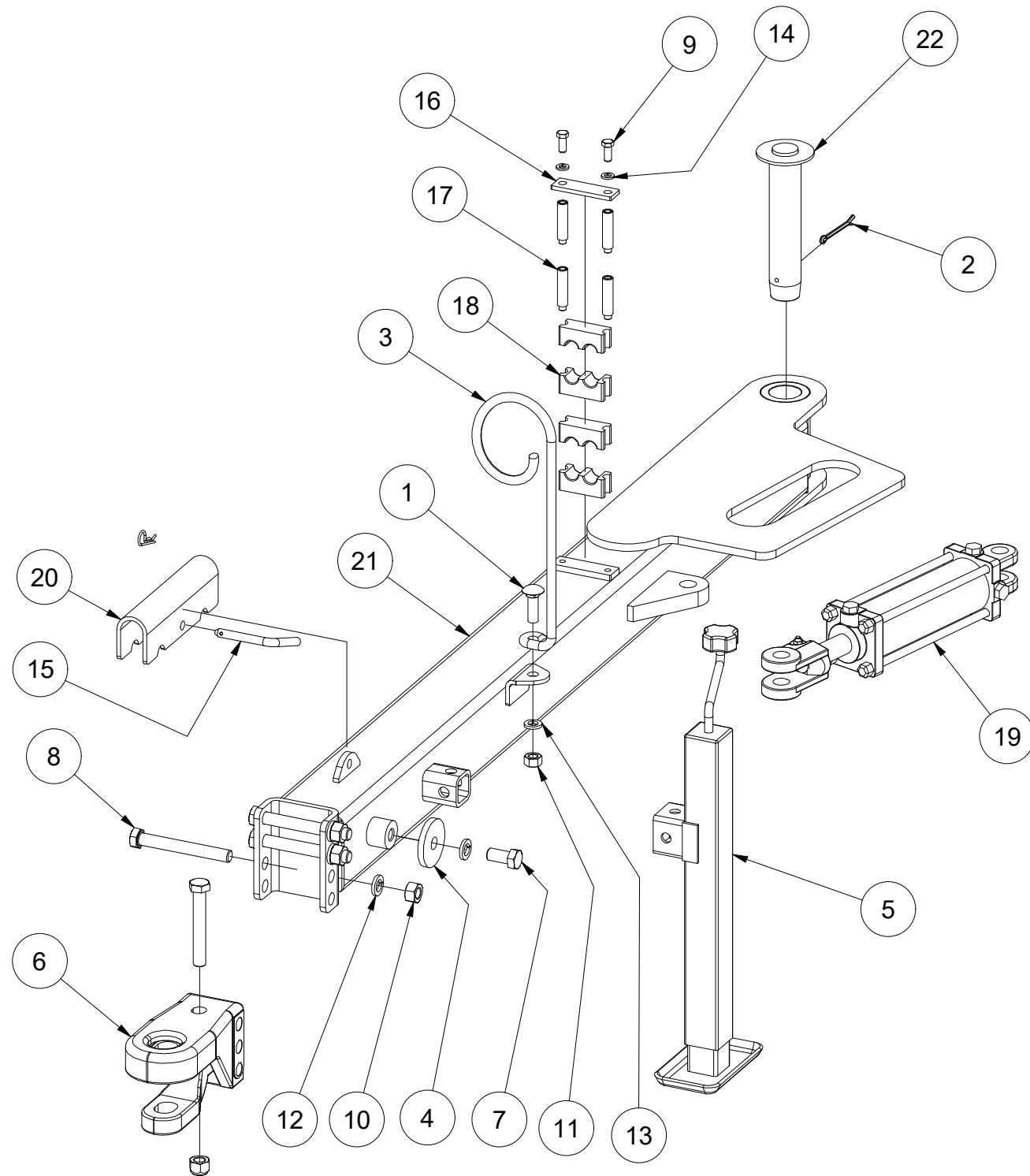
# Parts Description

## Rock Picker Frame

Item	Part Number	Description
1	DC-0142	Owner's Manual Canister
2	EL-0011	Light Box Weldment
3	HCSGR50.5-13x1.5ZF	Hex Cap Screw 1/2-13 UNC x 1.5 w/ Std. Thread Gr.5 Zinc
4	HCSGR50.25-20x1ZF	Hex Cap Screw 1/4-20 UNC x 1 w/ Std. Thread Gr.5 Zinc
5	HCSGR50.75-10x6.5ZF	3/4-10 UNC x 6.5 Hex Cap Screw w/ Std. Thread
6	HCSGR50.375-16x1.5ZF	Hex Cap Screw 3/8-16 UNC x 1.5 w/ Std. Thread Gr.5 Zinc
7	HCSGR50.375-16x1ZF	3/8-16 UNC x 1 Hex Cap Screw w/ Std. Thread
8	HCSGR50.375-16x3.5ZF	3/8-16 UNC x 3.5 Hex Cap Screw w/ Std. Thread
9	HCSGR50.3125-18x0.75ZF	5/16-18 UNC x 0.75 Hex Cap Screw w/ Std. Thread
10	HCSGR50.4375-14x1ZF	7/16-14 UNC x 1 Hex Cap Screw w/ Std. Thread
11	HN0.5-13ZF	1/2-13 UNC Hex Nut
12	HN0.75-10ZF	3/4-10 UNC Hex Nut
13	HN0.375-16ZF	3/8-16 UNC Hex Nut
14	HN0.3125-18ZF	5/16-18 UNC Hex Nut
15	Jamtek 1613	Zerk - 1/8 x 27 PTF 90° Std Length
16	LW0.5ZF	1/2 Lock Washer
17	LW0.25ZF	1/4 Lock Washer
18	LW0.75ZF	3/4 Lock Washer
19	LW0.375ZF	3/8 Lock Washer
20	LW0.3125ZF	5/16 Lock Washer
21	LW0.4375ZF	7/16 Lock Washer
22	OLNGRC0.375-16ZF	3/8-16 UNC Hex Lock Nut
23	OLNGRC1-8ZF	1-8 UNC Hex Lock Nut
24	RP-0064	50100118 - Guard Manifold
25	RP-0066	50000131 - Cylinder Guard
26	RP-0069	10500017 - Bearing Split Top Half
27	RP-0070	10500017 - Bearing Split Bottom Half
28	RP-0100	11000017A - Hose Bracket Top Plate
29	RP-0102	11000060 - Hose Bracket Post
30	RP-0103	11000020A - Hose Clamp Cushion (Twin Style)
31	RP-0113	3 x 8 Hydraulic Cylinder w/ Pins & Clips
32	RP-0114	3 1/2 x 30 Hydraulic Cylinder w/ Pins & Clips
33	RP-0116	10800014 - 2 x 3 Compression spring
34	RP-0118	10000205 - 3/8-16 x 4 x 4 3/4 U-bolt
35	RP-1005	50000109 - Rock Hopper Weldment
36	RP-1008	50000142 - Frame Weldment
37	RP-1012	50000196 - Scoop Cylinder Attachment
38	RP-1013	50000110 - Hopper Cylinder Pin Weldment
39	RP-1031	Light Bracket
40	WU0.25ZF	1/4 USS Washer
41	WU1ZF	1 USS Washer

# Parts Diagram

## Rock Picker Hitch



# Parts Description

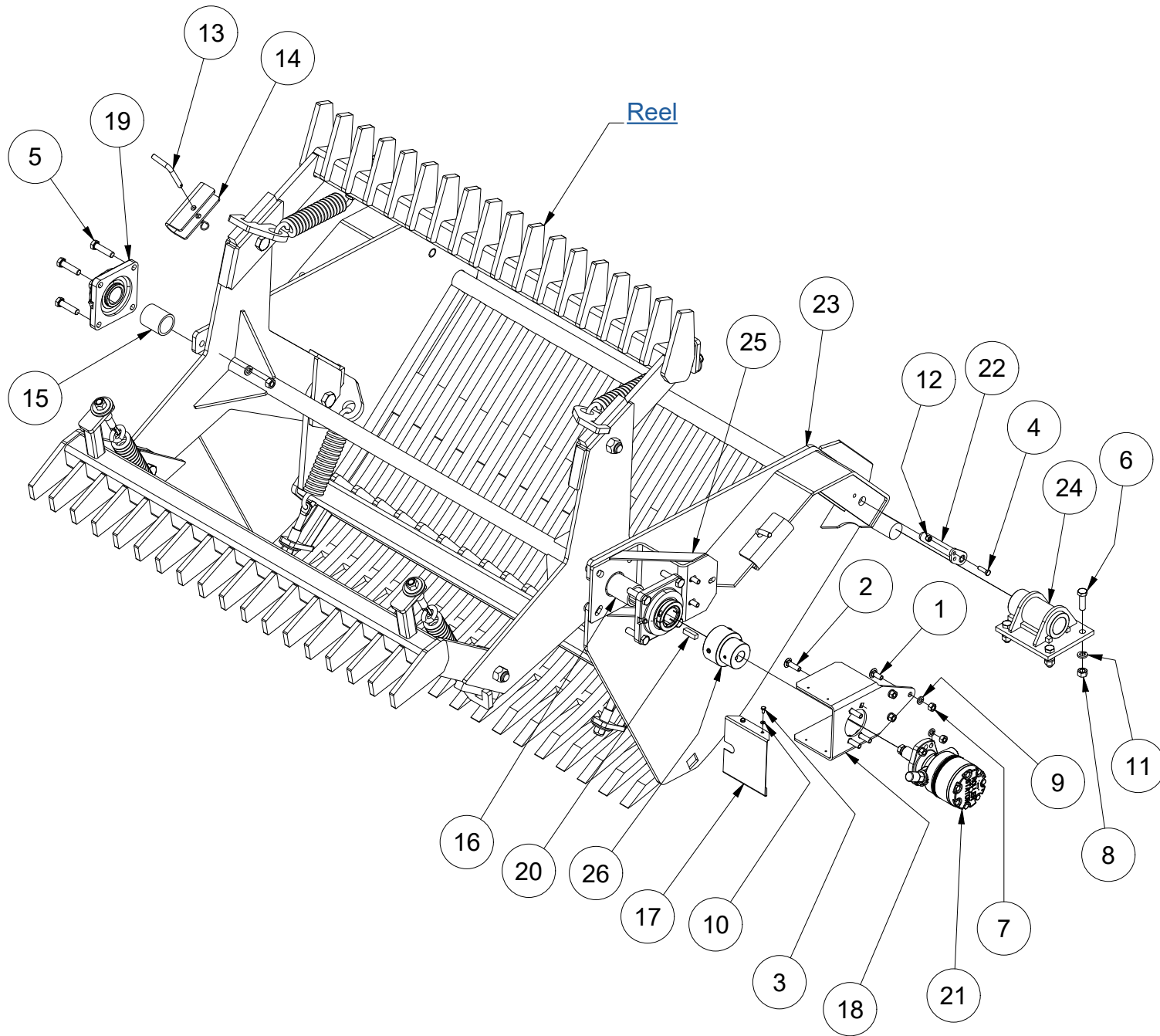
## Rock Picker Hitch

Item	Part Number	Description
1	CBGR50.625-11x2ZF	5/8-11 UNC x 2 Carriage Bolt
2	CK0.25x3ZF	1/4 x 3 Cotter Key
3	DC-0036	Large Hose Holder
4	DC-0064	Safety Chain Cap
5	DC-0109	5000# Top Crank Jack Stand - Square Mnt
6	DC-1007	CAT III Cast Hitch Assy
7	HCSGR50.75-10x1.5ZF	3/4-10 UNC x 1.5 Hex Cap Screw w/ Std. Thread
8	HCSGR50.75-10x6ZF	3/4-10 UNC x 6 Hex Cap Screw w/ Std. Thread
9	HCSGR50.4375-14x1ZF	7/16-14 UNC x 1 Hex Cap Screw w/ Std. Thread
10	HN0.75-10ZF	3/4-10 UNC Hex Nut
11	HN0.625-11ZF	5/8-11 UNC Hex Nut
12	LW0.75ZF	3/4 Lock Washer
13	LW0.625ZF	5/8 Lock Washer
14	LW0.4375ZF	7/16 Lock Washer
15	PD-0075	10400040 - Bent Hitch Pin
16	RP-0100	11000017A - Hose Bracket Top Plate
17	RP-0102	11000060 - Hose Bracket Post
18	RP-0103	11000020A - Hose Clamp Cushion (Twin Style)
19	RP-0113	3 x 8 Hydraulic Cylinder w/ Pins & Clips
20	RP-0135	Cylinder Transport Lock
21	RP-1002	50000102 - Tow Hitch Weldment
22	RP-1003	50000106 - Hitch Pin Weldment



# Parts Diagram

## Rock Picker Reel & Scoop



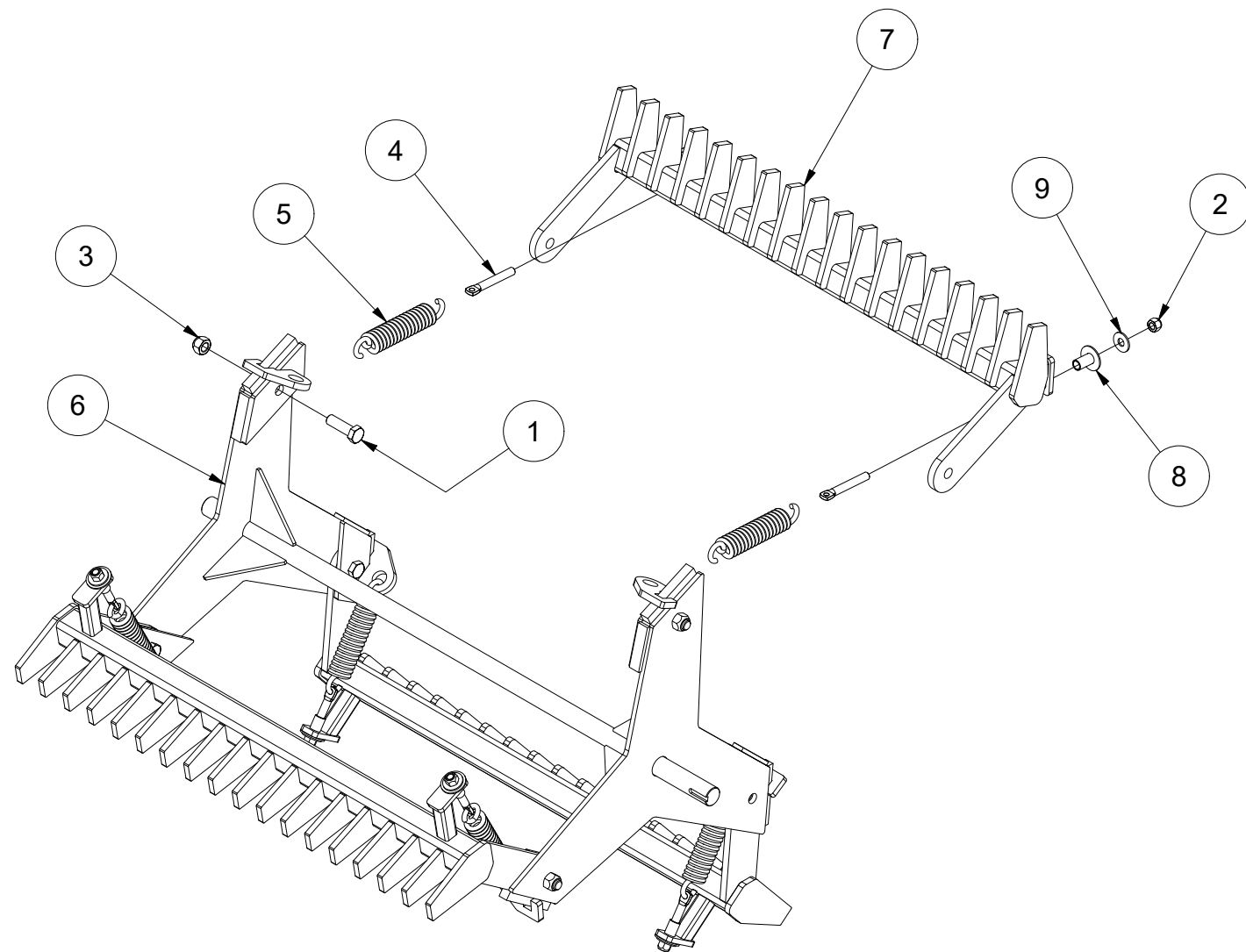
# Parts Description

## Rock Picker Reel & Scoop

Item	Part Number	Description
1	CBGR50.5-13x1.25ZF	1/2-13 UNC x 1.25 Carriage Bolt
2	CBGR50.5-13x1.75ZF	1/2-13 UNC x 1.75 Carriage Bolt
3	HCSGR50.25-20x0.5ZF	1/4-20 UNC x 0.5 Hex Cap Screw w/ Std. Thread
4	HCSGR50.375-16x1.25ZF	3/8-16 UNC x 1.25 Hex Cap Screw w/ Std. Thread
5	HCSGR50.625-11x2.5ZF	5/8-11 UNC x 2.5 Hex Cap Screw w/ Std. Thread
6	HCSGR50.625-11x2ZF	5/8-11 UNC x 2 Hex Cap Screw w/ Std. Thread
7	HN0.5-13ZF	1/2-13 UNC Hex Nut
8	HN0.625-11ZF	5/8-11 UNC Hex Nut
9	LW0.5ZF	1/2 Lock Washer
10	LW0.25ZF	1/4 Lock Washer
11	LW0.625ZF	5/8 Lock Washer
12	OLNGRC0.375-16ZF	3/8-16 UNC Hex Lock Nut
13	PD-0075	10400040 - Bent Hitch Pin
14	RP-0065	50000124 - Cylinder Stop (Short)
15	RP-0092	50100192 - RH Reel Bushing
16	RP-0093	50100293 - LH Reel Bushing
17	RP-0109	5000017 - Reel Drive Guard
18	RP-0112	50000220 - Torque Arm Style Motor Mount
19	RP-0126	10500048 - 1 15/16 4Bolt Flange Bearing (CL)
20	RP-0132	1/2" Square Key x 1 3/4" Long
21	RP-0134	11200055 - Hyd Motor White RE-32.7 2500 Relief
22	RP-1013	50000110 - Hopper Cylinder Pin Weldment
23	RP-1015	50000208 - Rock Scoop Weldment
24	RP-1018	50000126 - Scoop Hinge Weldment
25	RP-1024	50000219 - Motor Torque Bracket Weldment
26	RP-1026	10900054 - Direct Drive Coupling 500-20D

# Parts Diagram

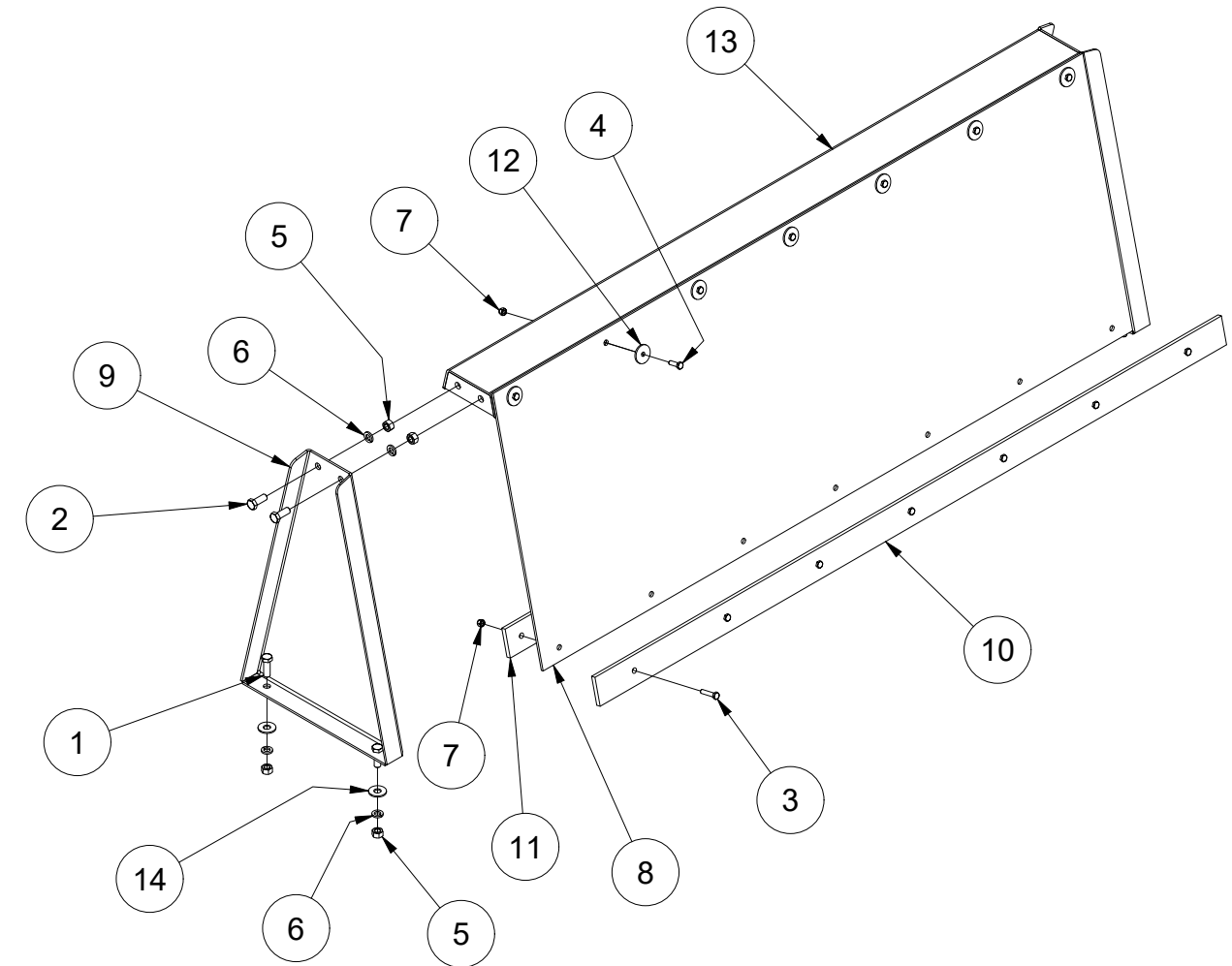
## Rock Picker Reel



Item	Part Number	Description
1	HCSGR51-8x3.25ZF	1-8 UNC x 3.25 Hex Cap Screw w/ Std. Thread
2	OLNGRC0.75-10ZF	3/4-10 UNC Hex Lock Nut
3	OLNGRC1-8ZF	1-8 UNC Hex Lock Nut
4	RP-0127	10000186 - Spade Bolt w/ 1/2" Hole
5	RP-0137	10800015 - Wire Extension spring
6	RP-1019	50000210 - Direct Drive Reel Shaft Weldment
7	RP-1022	50000113 - Rake Bar Weldment
8	RP-1025	50000204 - Spring Arm bushing Weldment
9	WU0.75ZF	3/4 USS Washer

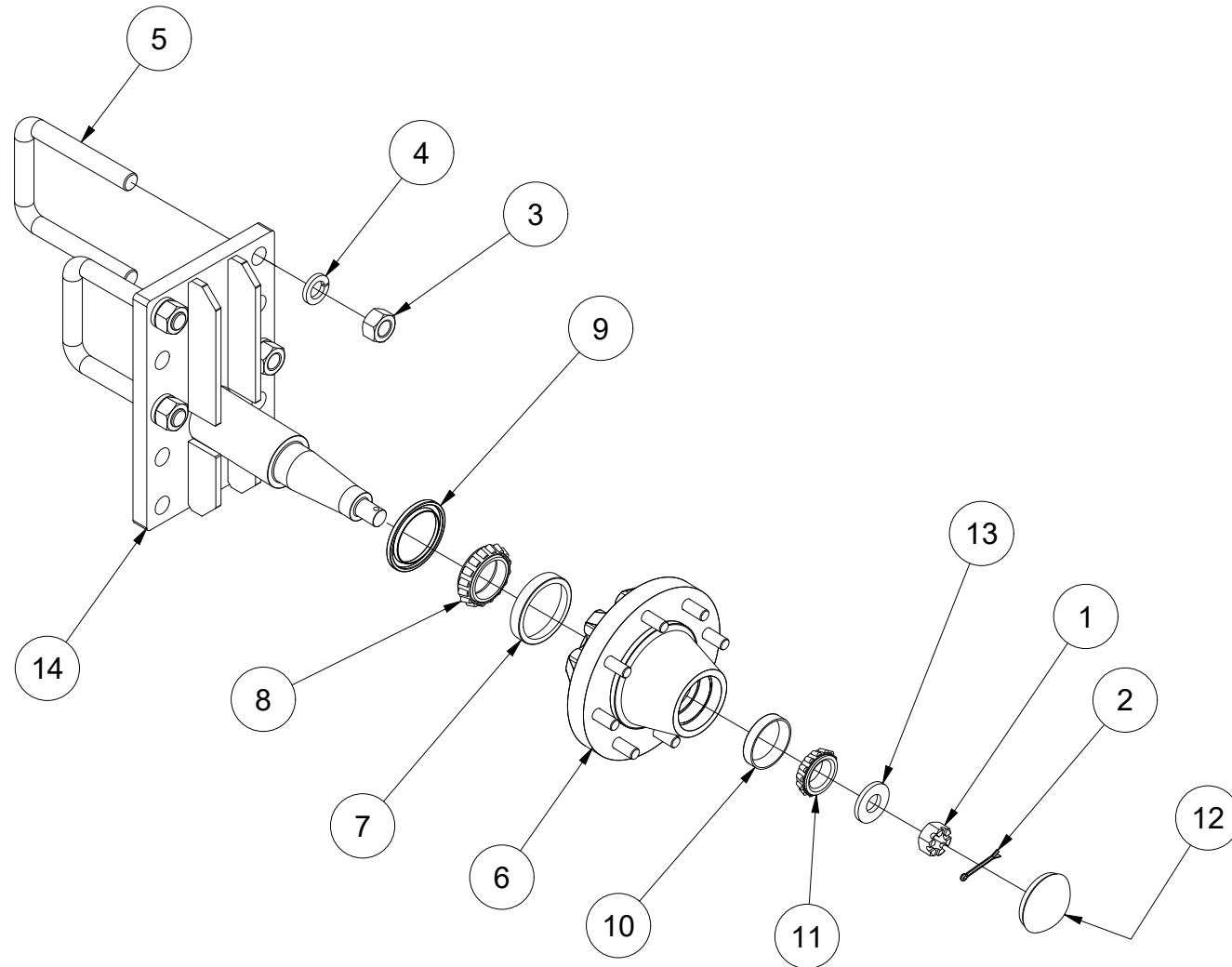
# Parts Diagram

## Rock Picker Rock Deflector



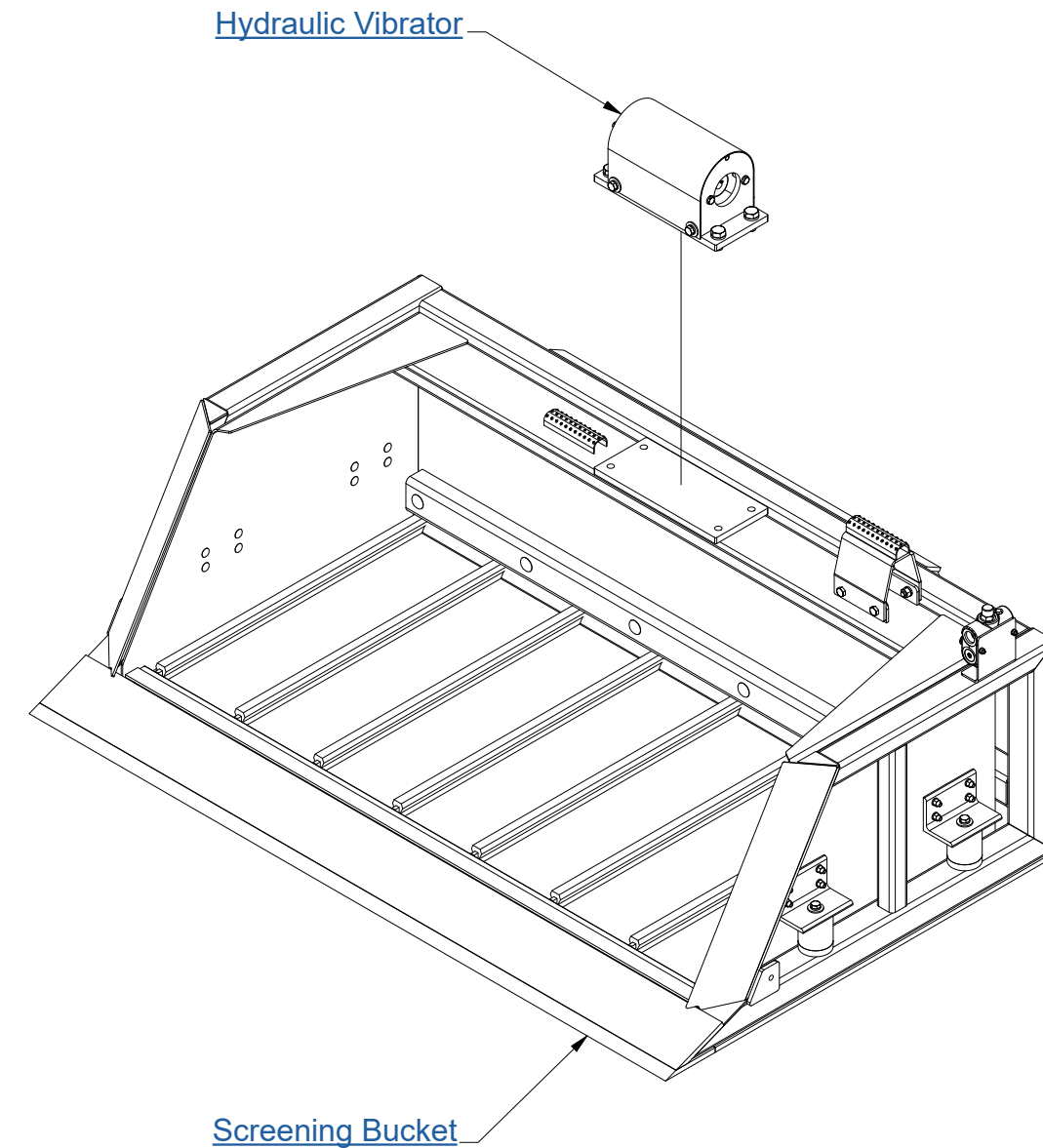
Item	Part Number	Description
1	HCSGR50.5-13x1.5ZF	1/2-13 UNC x 1.5 Hex Cap Screw w/ Std. Thread
2	HCSGR50.5-13x1.25ZF	1/2-13 UNC x 1.25 Hex Cap Screw w/ Std. Thread
3	HCSGR50.3125-18x1.5ZF	5/16-18 UNC x 1.5 Hex Cap Screw w/ Std. Thread
4	HCSGR50.3125-18x1ZF	5/16-18 UNC x 1 Hex Cap Screw w/ Std. Thread
5	HN0.5-13ZF	1/2-13 UNC Hex Nut
6	LW0.5ZF	1/2 Lock Washer
7	OLNGRC0.3125-18ZF	5/16-18 UNC Hex Lock Nut
8	RP-0001	50000116 - Deflector Belt
9	RP-0060	50000184 - End Bracket
10	RP-0062	50000117 - Deflector Stiffener
11	RP-0063	50000218 - Inner Deflector Stiffener
12	RP-0115	Washer - Rock Deflector Belt
13	RP-1001	50000186 - Cross Brace Weldment
14	WU0.5ZF	1/2 USS Washer

## Parts Diagram Rock Picker Axle



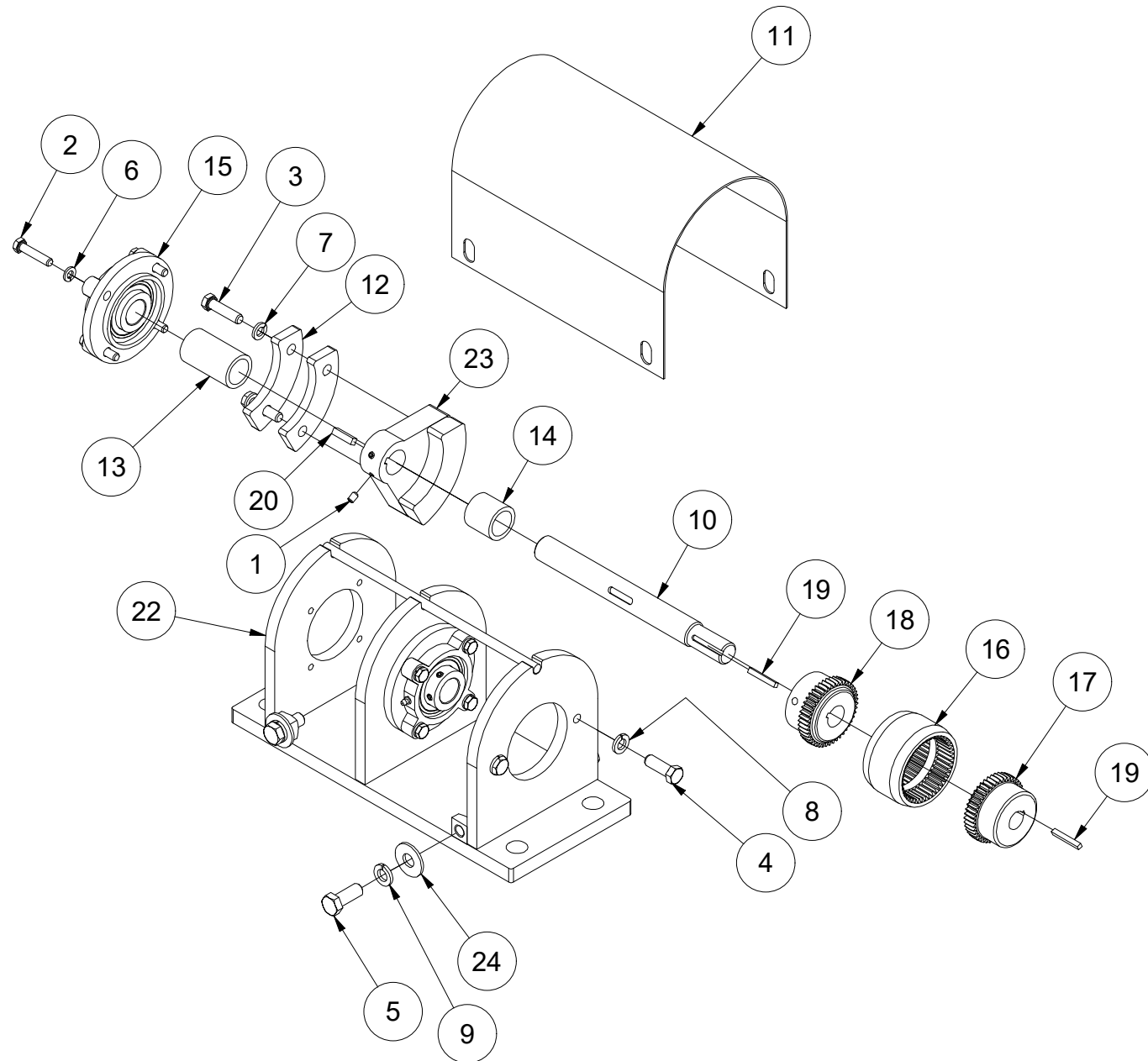
Item	Part Number	Description
1	ANSI B18.2.2 - UNF 1 - 12, SHNI	Hex Nuts (Inch Series) Slotted Hex Nut
2	CK0.1875x2.25ZF	3/16 x 2.25 Cotter Key
3	HN1-8ZF	1-8 UNC Hex Nut
4	LW1ZF	1 Lock Washer
5	RP-0117	10000206 - 1 x 5 1/16 x 7 1/4 U-Bolt
6	RP-0119	11400027 - 758 Hub 8 on 8" B.C. 6" Pilot
7	RP-0120	10500019 - Inner Race Cup
8	RP-0121	10500018 - Inner Bearing Cone
9	RP-0122	10500022- 758 Hub Seal
10	RP-0123	10500021 - Outer Race Cup
11	RP-0124	10500020 - Outer Bearing Cone
12	RP-0125	11400019 - 758 Hub Cap
13	RP-0138	
14	RP-1014	50000125 - Spindle Weldment

## Parts Diagram Screening Bucket



# Parts Diagram

## VSF Hydraulic Vibrator (700-20 & 30)



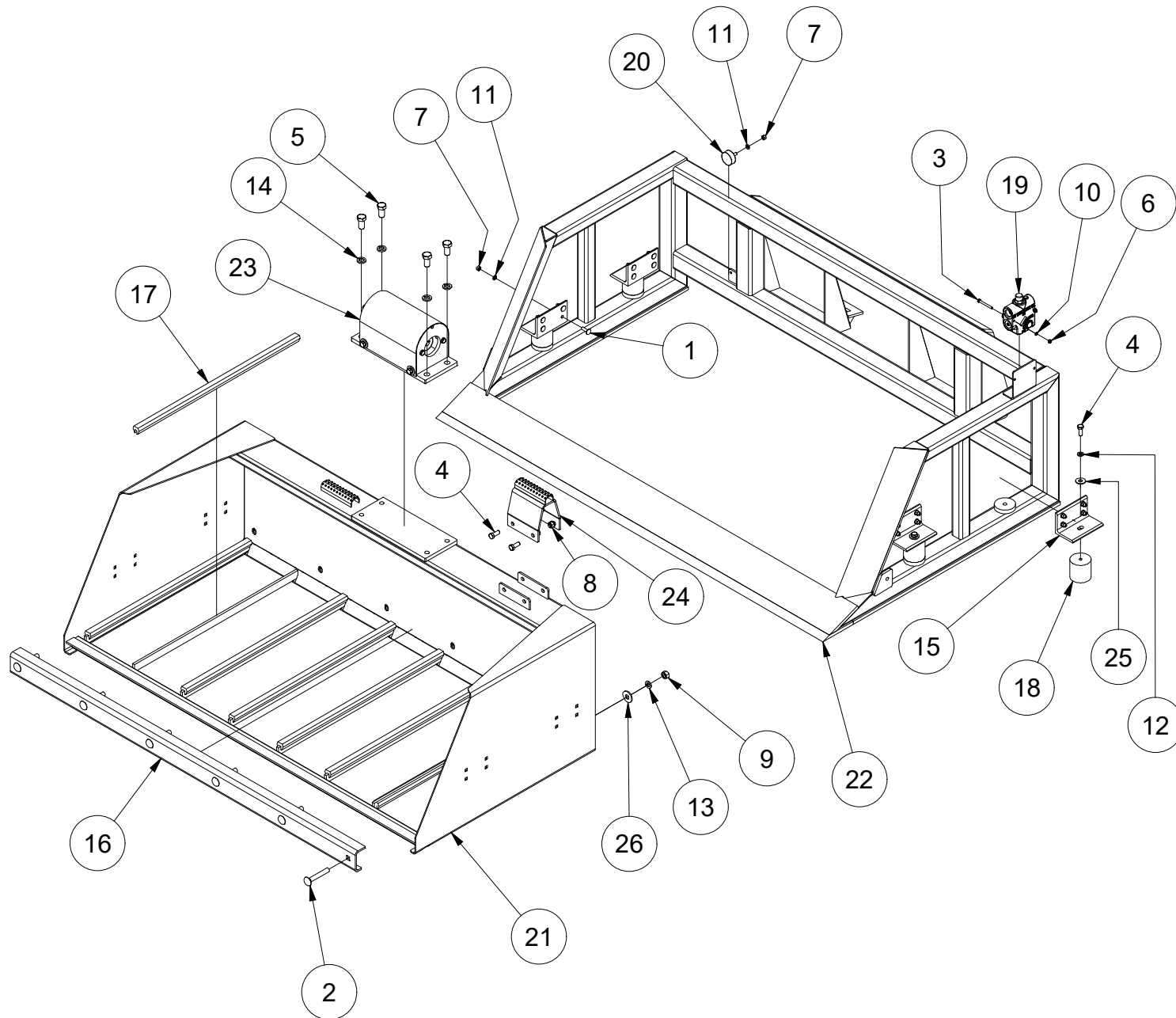
# Parts Description

## VSF Hydraulic Vibrator (700-20 & 30)

Item	Part Number	Description
1	ANSI B18.3 - 1/4-20 UNC x 0.38, TAHSSCPI	Hexagon Socket Set Screw - Cup Point
5	HCSGR50.5-13x1.25ZF	1/2-13 UNC x 1.25 Hex Cap Screw w/ Std. Thread
3	HCSGR50.375-16x1.5ZF	3/8-16 UNC x 1.5 Hex Cap Screw w/ Std. Thread
2	HCSGR50.3125-18x1.5ZF	5/16-18 UNC x 1.5 Hex Cap Screw w/ Std. Thread
4	HCSGR50.4375-14x1.25ZF	7/16-14 UNC x 1.25 Hex Cap Screw w/ Std. Thread
9	LW0.5ZF	1/2 Lock Washer
7	LW0.375ZF	3/8 Lock Washer
6	LW0.3125ZF	5/16 Lock Washer
8	LW0.4375ZF	7/16 Lock Washer
10	VSB-0041	70000024 - 9 3/4" Vibrator Shaft
11	VSB-0042	70000025 - Bolt-on Vibrator Cover
12	VSB-0045	70100008 - Flywheel Weight
13	VSB-0046	70000010 - 2 7/16 Flywheel Retainer
14	VSB-0047	70000022 - 1 5/16 Flywheel Retainer
15	VSB-0052	10500041 - 4 Bolt 1" Flange Bearing
16	VSB-0053	10900043 - Coupling Sleeve (M38)
17	VSB-0054	10900041 - Hub 3/4 Bore w/ Keyway & Set Scrw
18	VSB-0055	10900042 - Hub 7/8 Bore w/ Keyway & Set Scrw
19	VSB-0056	10400060 - 3/16" Square Key x 1 3/8" Long
20	VSB-0057	10400064 - 1/4" Square Key x 1" Long
21	VSB-0070	11200051 - Hydraulic Motor 3/4" Shaft (Not Shown)
22	VSB-1009	70000023 - Vibrator Housing Weldment
23	VSB-1010	70000026 - Flywheel Weldment Weight 54 oz
24	WU0.5ZF	1/2 USS Washer

# Parts Diagram

## Screening Bucket



# Parts Description

## Screening Bucket

Item	Part Number	Description
1	CBGR50.375-16x1.25ZF	3/8-16 UNC x 1.25 Gr 5 Carriage Bolt
2	CBGR50.625-11x4ZF	5/8-11 UNC x 4 Gr 5 Carriage Bolt
3	HCSGR50.25-20x2.5ZF	1/4-20 UNC x 2.5 Hex Cap Screw w/ Std. Thread
4	HCSGR50.5-13x1.25ZF	1/2-13 UNC x 1.25 Hex Cap Screw w/ Std. Thread
5	HCSGR50.75-10x1.5ZF	3/4-10 UNC x 1.5 Hex Cap Screw w/ Std. Thread
6	HN0.25-20ZF	1/4-20 UNC Hex Nut
7	HN0.375-16ZF	3/8-16 UNC Hex Nut
8	HN0.5-13ZF	1/2-13 UNC Hex Nut
9	HN0.625-11ZF	5/8-11 UNC Hex Nut
10	LW0.25ZF	1/4 Lock Washer
11	LW0.375ZF	3/8 Lock Washer
12	LW0.5ZF	1/2 Lock Washer
13	LW0.625ZF	5/8 Lock Washer
14	LW0.75ZF	3/4 Lock Washer
15	VS0.048	70100006 - Spring Mount
16	VS0.049	70100067 - Drawbar 70" Bucket
17	VS0.050	70000028 - 3/8 Screen Bar Rubber (B0015.5)
18	VS0.051	10800020 - 3 x 3 Sandwich Mnt 1/2 UNC Inserts
19	VS0.058	11200072 - Flow Control w/ Relief & AC Check
20	VS0.059	10800017 - 2" OD Rubber Vibration Isolator
21	VS0.1001	70000017 - 70" Screen Bucket Wldmt (700-30)
22	VS0.1002	70000018 - 70" Bucket Frame Weldment
23	VS0.1011	Hydraulic Vibrator (700-20 & 30)
24	VS0.1015	Bolt-on Step Weldment
25	WU0.5ZF	1/2 USS Washer
26	WU0.625ZF	5/8 USS Washer



ISO9001:2015 certified

**Remlinger Manufacturing**

16394 US 224  
PO Box 299  
Kalida, OH 45853

Toll Free 1-800-537-7370

Phone (419) 532-3647

Fax (419) 532-2244

[technicalsupport@remlingermfg.com](mailto:technicalsupport@remlingermfg.com)

[www.remlingermfg.com](http://www.remlingermfg.com)



Email Technical Support